



SikurExit



CISA

SikurExit



CISA

**SikurExit. The panic function, multisafe, multipoint lock for public buildings**

**PANIC FUNCTION MULTIPOINT locks for 1- and 2-leaf aluminum and steel doors.**

Cisa presents the ideal lock for cinemas, hypermarkets, theatres, banks, offices, shops and any other heavy-traffic public environment characterized by high protection, high security requirements. SikurExit will guarantee maximum protection due to its 3 locking points and offer maximum security due to its panic function, allowing users to quickly leave the building in an emergency by simply lowering the panic exit device even when the door is secured.

*New*

**Multipurpose, complete range**

SikurExit is a single lock suitable for installation on 1- and 2-leaf doors and for 30 to 45 mm backsets to cover all the profiles currently available commercially.

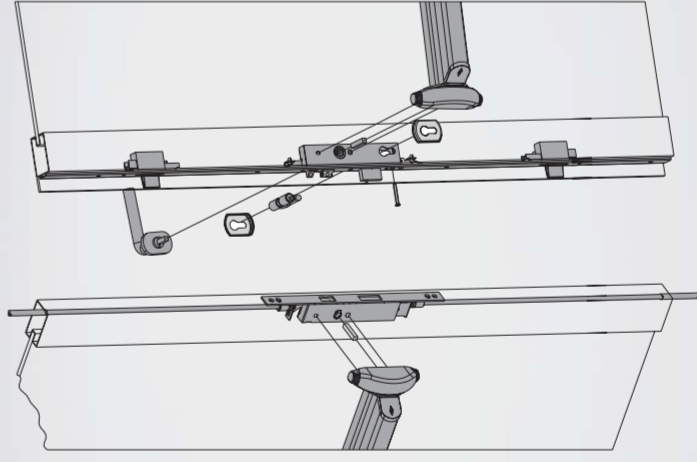
*New*

**Multiprotective**  
3 locking points and the antipicking system on the latchbolt ensure maximum levels of protection.

*New*

**Multifunctional**  
**When the lock is only closed with its latchbolt, the SikurExit system makes it possible to control access in three different ways**

- by using the handle enabled by the key; public access authorized at certain times of the day only;
- by using the permanently enabled handle: when the deadbolts are fully withdrawn (open position), access is always possible.



*New*

**Multiflexible**

- SikurExit fits any installation requirements: it has a non-handed latchbolt and square spindle to allow selection of the panic function side; the latchbolt and antipicking system are adjustable. It can be installed with an electric handle and has a hold open device included in the standard supply.



**BENEFITS for Installers/Manufacturers/Distributors:**

- SikurExit has the same dimensions as the other standard CISA products: installers/manufacturers do not need to alter any of their door frame construction phases;
- SikurExit responds to the ever-increasing market demand for "armored panic/emergency doors", offering excellent business opportunities.

**BENEFITS for the User:**

- SikurExit automatically guarantees compliance with the European Standard provisions on public access buildings, while ensuring anti-intrusion security;
- Access to the building/office can always be obtained when the door is on its latch (for example, during normal office hours);
- High security: thanks to the combination with CISA cylinders and cylinder protective roses, high anti-intrusion standards are guaranteed. The door can also be installed as part of a master-keyed system.

**CE CERTIFICATION & MARKING**

The materials and technical solutions adopted allow the highest standards to be respected, leading CISA to obtain markings and certifications such as:

- Certified system according to the 89/106/CE DIRECTIVE. Reference standards: EN 1125:2008 panic exit devices EN 179:2008 emergency exit devices
- Voluntary product certification released by a third party (ICM as provided for by EN 1125:2008 standard for specific CISA panic exit devices.
- Voluntary lock certification according to the European Standard EN 12209:2003 prEN 15685:2008



For top level performances, CISA recommends:



Protective rose



R53 S





*SikurExit. The panic function, multisafe, multipoint lock for public buildings*