



Exitlock

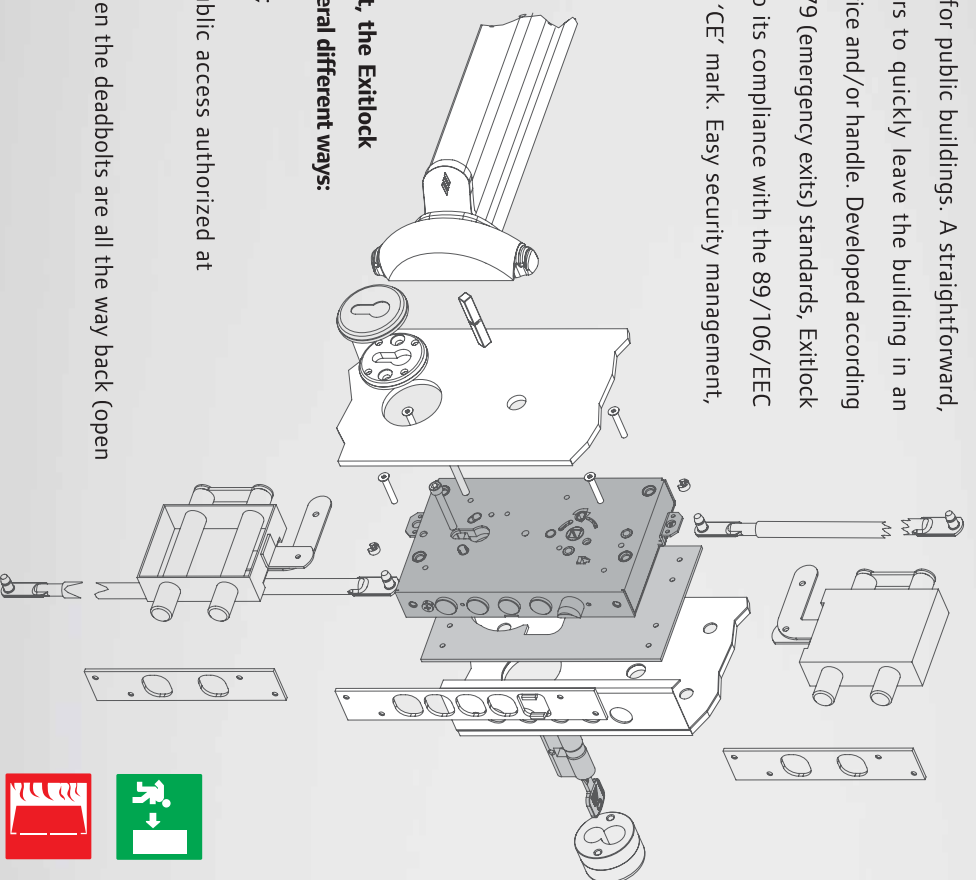


Exitlock



Exitlock. CISA's response to the demand for security in public buildings

Exitlock is the security lock designed by CISA for public buildings. A straightforward, secure system to protect, but also allow users to quickly leave the building in an emergency by simply lowering the panic exit device and/or handle. Developed according to the UNI EN 1125 (panic exits) and UNI EN 179 (emergency exits) standards, Exitlock is a high performance product that - thanks to its compliance with the 89/106/EEC Directive requirements - has been granted the 'CE' mark. Easy security management, easy access management.



When the lock is only closed with its latchbolt, the Exitlock system makes it possible to control access in several different ways:

- by using the key; access for key owners only;
- by using the handle enabled by the key; public access authorized at certain times of the day only;
- by using the permanently enabled handle; when the deadbolts are all the way back (open position), access is always possible.



BENEFITS for Manufacturers/OEMs/Distributors:

- Exitlock has the same dimensions as the other standard CISA products; manufacturers do not need to alter any of their door construction phases;
- Exitlock responds to the ever-increasing market demand for 'armoured panic/emergency doors', offering excellent business opport unities.

BENEFITS for the User:

- Exitlock automatically guarantees compliance with the European Standards' provisions on public access buildings, while ensuring anti-intusion security;
- access to the building/office can always be obtained when the door is on its latch (for example, during office hours);
- security: thanks to the combination with CISA cylinders and cylinder protective devices, high anti-intusion standards are guaranteed! The door can also be installed to be part of a 'master-key' system.

For top level performances, CISA recommends:



CE CERTIFICATION & MARKING

The adopted technical solutions and the materials used guarantee compliance with the strictest regulation requirements. This has enabled CISA to obtain marks and certificates including: CE mark according to the 89/106/CE DIRECTIVE.
Reference standards:
UNI EN 1125; panic exit devices;
UNI EN 179; emergency exit devices;
UNI EN 12209; fire resistant door devices.
Voluntary product certification issued by IGM third-party certifying body according to the UNI EN 1125 standard for specific CISA touch bars.



Exitlock. CISA's response to the demand for security in public buildings