



Smart Plus overhead door closers



Smart Plus overhead door closers



Technology opening doors to design

The CISA overhead door closer offers a top level aesthetic solution to achieve reliable opening and safe closing control of any kind of door. This solution, ideal for both indoor and outdoor applications, is available in a sophisticated design making it suitable for almost all environment. Built from high quality materials, versatile and easy to install, CISA Smart Plus is made to last thanks to its durable design and compliance with all the applicable industry standards. Available in a wide range of finishes.

STYLISH DESIGN

- CISA Smart Plus door closers are supplied with a stylish all-over cover available in a number of finishes and colours to match all kinds of environment.

VERSATILITY

- CISA Smart Plus closers provides 5 different closing strengths within just 2 body sizes.
- Variable closing strengths can be achieved by simply altering the fixing position of the arm.
- CISA D14 XX03 provides power strengths EN 2-3-4 and CISA D14XX05 provides EN 4-5-6.

EASY TO INSTALL

- Only one fixing template is needed to install the door closer to the correct strength.
- The slotted fixing holes enable the user to perfectly position the door closer.
- This feature also enables the CISA Smart Plus to be adapted to suit pre-existing holes, for replacement purposes.

RELIABILITY

- The quality of the materials used and the level of precision engineering makes Smart Plus closers long-lasting and reliable.
- Life-cycle performance: over 500,000 opening and closing cycles in compliance with the UNI EN 1154 standard.

COMPLIANCE AND MARKING

- Smart Plus closers are successfully type tested and independently certified for conformity to all the requirements of EN 1154. They are CE marked in accordance with 89/106/EEC Directive, issued by ICIM for use on fire doors





Technical features

- Aluminium alloy one-piece body.
- Shock proof plastic all-overcover.
- Corrosion resistant steel arm, with or without adjustable hold-open mechanism.
- Special steel spring immersed in high-grade in oil-bath.
- Adjusting valve complete with thermostatic device.
- Special high-tensile steel spring immersed in high-grade oil.

Adjustments

- Power adjustable EN2-3-4 (factory set size 03) or EN4-5-6 (size 05) by moving the mounting position of the arm.
- Separate closing speed (between 180° to 15°) and final latch action (between 15° to 0°) adjustment provides total control of the full closing cycle.
- Door hold-open position adjustment from 180° to 15° (D1416, 71416 05).

Door closer and fixing plate (optional) finishes

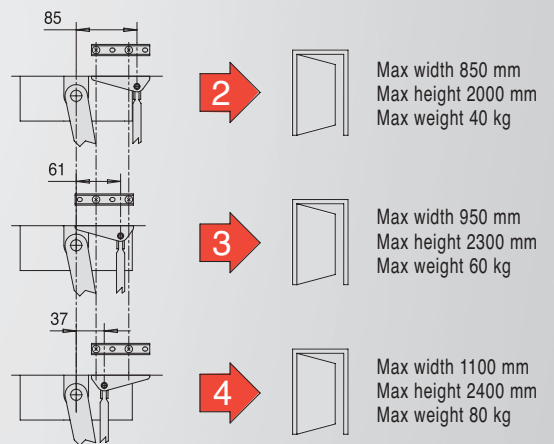
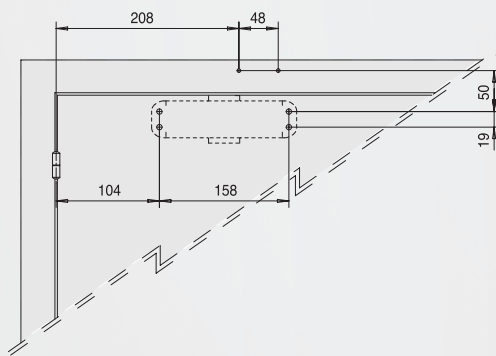
- Standard colour
 - SILVER (97)
- Other available finishes
 - CHAMPAGNE (87)
 - DARK BROWN (88)
 - DARK BRONZE (99)
 - BLACK (44)
 - WHITE (45)

Smart Plus installation instructions

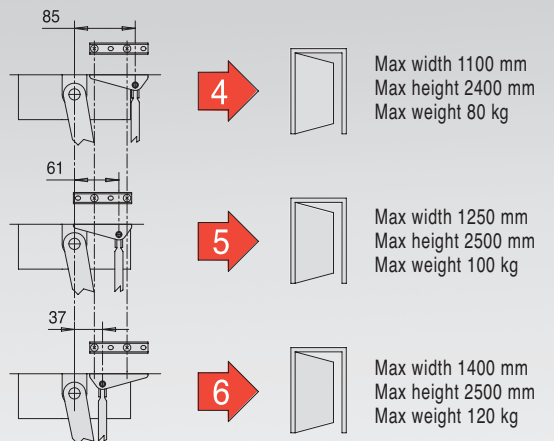
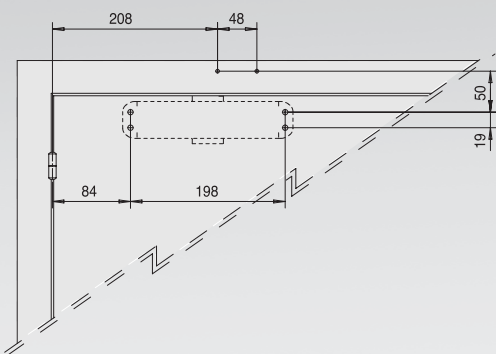
Simplified Size Adjustment

To make it easier to adjust the strength of the door closer, it is designed so that the body remains in a fixed position and the adjustment is made by changing the position of the door closer arm.

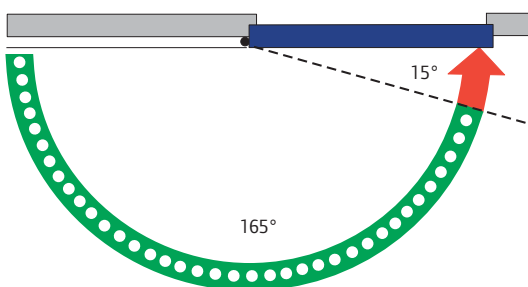
EN 2-3-4 strength door closer assembly diagram (D1415, D1416 series)





EN 4-5-6 strength door closer assembly diagram (71415 05, 71416 05 series)

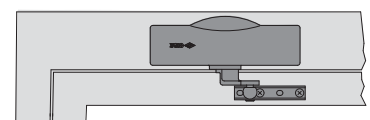


ADJUSTMENTS

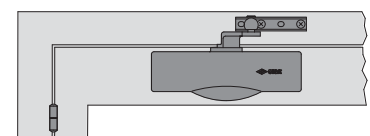


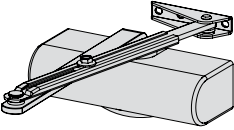



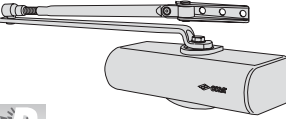



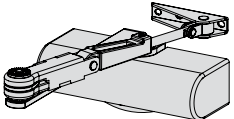

-  Latch action adjustment sector (with valve)
-  Closing speed adjustment sector (with valve)

Installation on side opposite to hinges



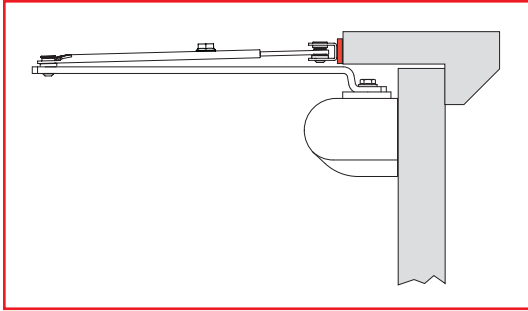
Installation on hinge side



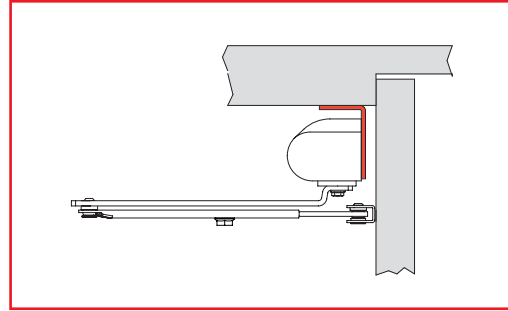
Type	Description	Closing strength EN	Door width mm	Door weight Kg	Unit weight Kg	Pieces	ITEM				
							Type	Dim.	Hard	Fin.	Pers.
   	<p>MULTISTRENGTH</p> <ul style="list-style-type: none"> • Without hold-open mechanism • CE marked in compliance with the 89/106/CEE Directive issued by ICIM • Product certificate issued by a third party as provided for in the UNI EN 1154 standard 	2-4	850-1100	40-80	1,800	1	1	D1415	03	0	97
   	<p>MULTISTRENGTH</p> <ul style="list-style-type: none"> • Without hold-open catch mechanism • CE marked in compliance with the 89/106/CEE Directive issued by ICIM • Product certificate issued by a third party as provided for in the UNI EN 1154 standard 	4-6	1100-1400	80-120	2,100	1	1	71415	05	0	97
 	<p>MULTISTRENGTH</p> <ul style="list-style-type: none"> • With hold-open catch mechanism • Voluntary product certificate issued by a third party as provided for in the UNI EN 1154 standard 	2-4 4-6	850-1100 1100-1400	40-80 80-120	1,800 2,400	1 1	1 1	D1416 71416	03 05	0 0	97 97

Type	Description	Unit weight Pieces	ITEM			
			Type	Dim.	Hand	Fin. Pers. Spec.
	<ul style="list-style-type: none"> • Steel arm backplate 	0,230 1 1	07140	00	0 97	
	<ul style="list-style-type: none"> • Arm bracket 	0,230 1 1	07141	00	0 97	
	<ul style="list-style-type: none"> • Door closer steel backplate • For door closers with closing strength 2-3-4 	0,500 1 1	07148	00	0 97	
	<ul style="list-style-type: none"> • Door closer steel backplate • For door closers with closing strength 4-5-6 	0,600 1 1	07148	01	0 97	
	<ul style="list-style-type: none"> • Door closer steel bracket • For door closers with closing strength 2-3-4 	0,500 1 1	07149	00	0 97	
	<ul style="list-style-type: none"> • Door closer steel bracket • For door closers with closing strength 4-5-6 	0,600 1 1	07149	01	0 97	
	<ul style="list-style-type: none"> • Set of nylon spacers - 1 piece 3 mm - 2 pieces 1 mm • For door closers with closing strength 2-3-4 	0,030 1 1	07150	00	0 97	
	<ul style="list-style-type: none"> • Set of nylon spacers - 1 piece 3 mm - 2 pieces 1 mm • For door closers with closing strength 4-5-6 	0,030 1 1	07150	01	0 97	

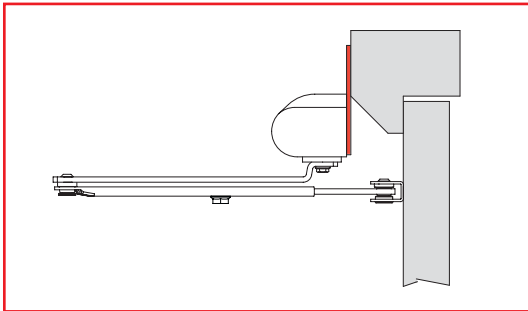
Steel arm backplate 07140



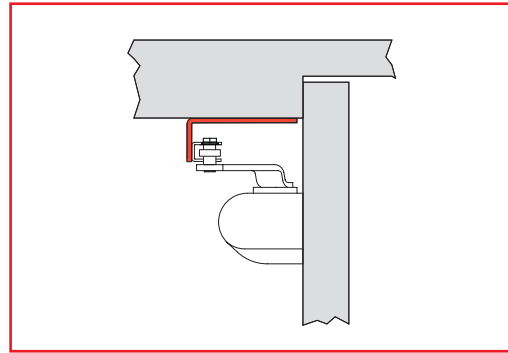
Door closer backplate 07149



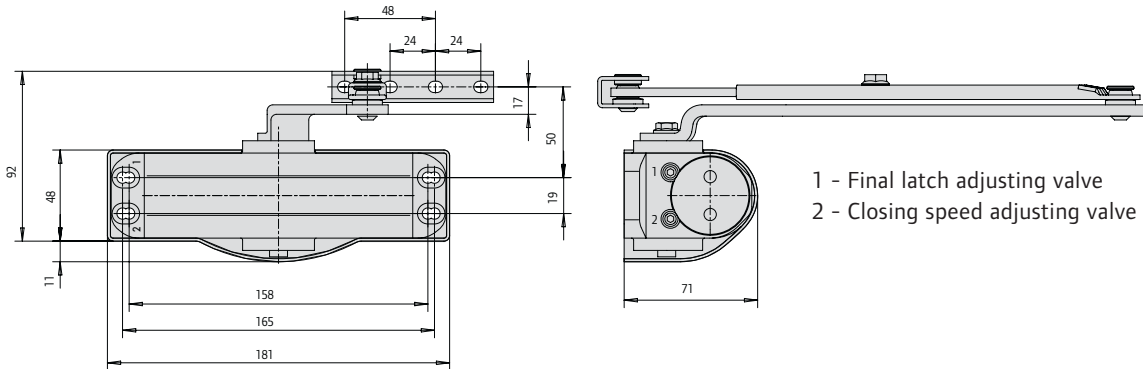
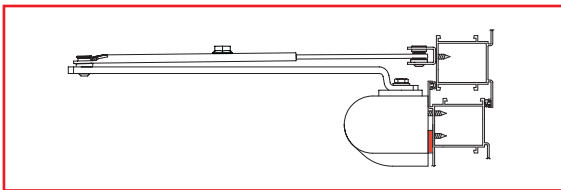
Door closer bracket 07148



Steel arm backplate 07141



Set of nylon spacers 07150



Ingersoll Rand's Security Technologies Sector is a leading global provider of products and services that make environments safe, secure and productive. The sector's market-leading products include electronic and biometric access-control systems; time-and-attendance and personnel scheduling systems; mechanical locks; portable security; door closers, exit devices, architectural hardware, and steel doors and frames; and other technologies and services for global security markets.

www.ingersollrand.com

CISA SpA
Via Oberdan, 42
48018 Faenza (RA) Italy
Tel. +39 0546 677111
Fax +39 0546 677150
www.cisa.com