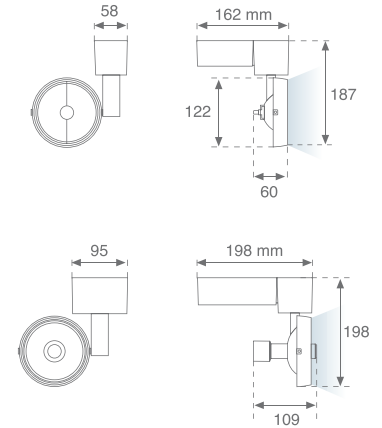




Proyector con adaptador a carril trifásico universal o base para superficie. Giratorio y orientable 355°. Fabricado en aluminio de inyección y acabado en color gris. Para lámparas de acento QR-111 y CDM-R111.

Projector with adapter for mounting on a universal three-phase track or with a base for surface mounting. Can rotate and tilt through 355°. Manufactured in die cast aluminium and finished in grey. For CDM-R111 and QR-111 accent lamps.



Proyector TWIN para 1 lámpara halógena  
TWIN Projector for 1 halogen lamp



Lamp.	Equipo / Gear	Ref. Techo Ref. Ceiling	Ref. Carril Ref. Track	Color	W	Plum																															
	Electrónico Electronic	73.41.03.3	73.41.13.3	■	1 x max.100	100W	<div style="display: flex; align-items: flex-start;"> <div style="margin-right: 10px;"> <p>7341033 Semiplanos C</p> </div> <div> <p>h[m]</p> <table border="1"> <thead> <tr> <th>h</th> <th>Max</th> <th>Med</th> <th>D[m]</th> <th>D[m]</th> </tr> </thead> <tbody> <tr><td>1</td><td>2784</td><td>1357</td><td>0.73</td><td>0.73</td></tr> <tr><td>2</td><td>696</td><td>339</td><td>1.46</td><td>1.46</td></tr> <tr><td>3</td><td>309</td><td>151</td><td>2.18</td><td>2.18</td></tr> <tr><td>4</td><td>174</td><td>85</td><td>2.91</td><td>2.91</td></tr> <tr><td>5</td><td>111</td><td>54</td><td>3.64</td><td>3.64</td></tr> </tbody> </table> <p>Im = 1089.00 Imax = 2556.62 cd/klm</p> <p>F U/E 1.00 A + 0.00 T Eta = 99.99%</p> <p>G=0.0° Alpha=20.0°+20.0°</p> </div> </div>	h	Max	Med	D[m]	D[m]	1	2784	1357	0.73	0.73	2	696	339	1.46	1.46	3	309	151	2.18	2.18	4	174	85	2.91	2.91	5	111	54	3.64	3.64
h	Max	Med	D[m]	D[m]																																	
1	2784	1357	0.73	0.73																																	
2	696	339	1.46	1.46																																	
3	309	151	2.18	2.18																																	
4	174	85	2.91	2.91																																	
5	111	54	3.64	3.64																																	

Proyector TWIN para 1 lámpara de descarga  
TWIN Projector for 1 discharge lamp

Lamp.	Equipo / Gear	Ref. Techo Ref. Ceiling	Ref. Carril Ref. Track	Color	W	Plum																															
	Electrónico Electronic	73.41.04.3 73.41.05.3	73.41.14.3 73.41.15.3	■ ■	1 X 35 1 x 70	43,7W 80W	<div style="display: flex; align-items: flex-start;"> <div style="margin-right: 10px;"> <p>7341053 Semiplanos C</p> </div> <div> <p>h[m]</p> <table border="1"> <thead> <tr> <th>h</th> <th>Max</th> <th>Med</th> <th>D[m]</th> <th>D[m]</th> </tr> </thead> <tbody> <tr><td>1</td><td>13952</td><td>8497</td><td>0.42</td><td>0.42</td></tr> <tr><td>2</td><td>3488</td><td>2124</td><td>0.83</td><td>0.83</td></tr> <tr><td>3</td><td>1550</td><td>944</td><td>1.25</td><td>1.25</td></tr> <tr><td>4</td><td>872</td><td>531</td><td>1.66</td><td>1.66</td></tr> <tr><td>5</td><td>558</td><td>340</td><td>2.08</td><td>2.08</td></tr> </tbody> </table> <p>Im = 2850.00 Imax = 4895.45 cd/klm</p> <p>F UTE Inclasificable Eta = 99.99%</p> <p>G=0.0° Alpha=11.7°+11.7°</p> </div> </div>	h	Max	Med	D[m]	D[m]	1	13952	8497	0.42	0.42	2	3488	2124	0.83	0.83	3	1550	944	1.25	1.25	4	872	531	1.66	1.66	5	558	340	2.08	2.08
h	Max	Med	D[m]	D[m]																																	
1	13952	8497	0.42	0.42																																	
2	3488	2124	0.83	0.83																																	
3	1550	944	1.25	1.25																																	
4	872	531	1.66	1.66																																	
5	558	340	2.08	2.08																																	