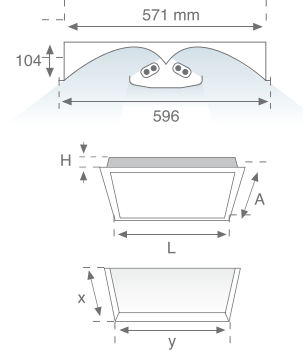




Luminaria empotrada MODULAR INDIRECTA de radiación indirecta, polivalente para todo tipo de techos. Fabricada en chapa de acero lacada en color blanco mate, con difusor de chapa microperforada y reflectores asimétricos recuperadores de flujo. Para lámparas fluorescentes compactas tipo TC-L y lámparas T5-HO.

The MODULAR INDIRECT recessed luminaire for indirect lighting is suitable for all types of ceiling. Manufactured in steel sheet lacquered in matt white, with micro-perforated sheet metal diffuser and asymmetric reflectors designed to catch all possible light. For TC-L fluorescent compact lamps and T5-HO lamps.



Luminaria MODULAR INDIRECTA de radiación indirecta
MODULAR INDIRECT indirect lighting luminaire



x = A - 20 mm
y = L - 20 mm

Lamp	Equipo / Gear	Ref	Color	W	Plum	L x A x H mm																																	
	Electromagnético Electromagnetic	65.02.74.0	□	2 x 36	101,2W	596 x 596 x 104	6542740		<table border="1"> <tr><th>h(m)</th><th>Max</th><th>Med</th><th>D(m)</th><th>D(m)</th></tr> <tr><td>1</td><td>1451</td><td>499</td><td>2.70</td><td>1.83</td></tr> <tr><td>2</td><td>363</td><td>125</td><td>5.40</td><td>3.67</td></tr> <tr><td>3</td><td>161</td><td>55</td><td>8.10</td><td>5.50</td></tr> <tr><td>4</td><td>91</td><td>31</td><td>10.80</td><td>7.34</td></tr> <tr><td>5</td><td>58</td><td>20</td><td>13.50</td><td>9.17</td></tr> </table>	h(m)	Max	Med	D(m)	D(m)	1	1451	499	2.70	1.83	2	363	125	5.40	3.67	3	161	55	8.10	5.50	4	91	31	10.80	7.34	5	58	20	13.50	9.17
	h(m)	Max	Med	D(m)	D(m)																																		
1	1451	499	2.70	1.83																																			
2	363	125	5.40	3.67																																			
3	161	55	8.10	5.50																																			
4	91	31	10.80	7.34																																			
5	58	20	13.50	9.17																																			
Electrónico Electronic	65.42.74.0	□	2 x 36	73,6W	596 x 596 x 104	6542740		<p>Im = 5800.00 Imax = 255.53 cd/klm</p> <p>F UTE 0.56 C + 0.00 T Eta = 56.02%</p> <p>Alpha=53.5°+53.5° Beta=42.5°+42.5°</p> <p>G=0.0°</p>																															
	Electrónico Electronic	65.42.70.0	□	2 x 55	113W	596 x 596 x 104	6542700		<p>Im = 9600.00 Imax = 134.30 cd/klm</p> <p>F UTE 0.45 E + 0.00 T Eta = 45.48%</p>																														
	Electrónico Electronic	65.44.70.0	□	4 x 55	226W	1196 x 596 x 104	6544700		<table border="1"> <tr><th>h(m)</th><th>Max</th><th>Med</th><th>D(m)</th><th>D(m)</th></tr> <tr><td>1</td><td>3943</td><td>1304</td><td>2.68</td><td>1.99</td></tr> <tr><td>2</td><td>986</td><td>326</td><td>5.35</td><td>3.97</td></tr> <tr><td>3</td><td>438</td><td>145</td><td>8.03</td><td>5.96</td></tr> <tr><td>4</td><td>246</td><td>82</td><td>10.71</td><td>7.95</td></tr> <tr><td>5</td><td>158</td><td>52</td><td>13.39</td><td>9.94</td></tr> </table> <p>Im = 19200.00 Imax = 207.68 cd/klm</p> <p>F UTE 0.47 D + 0.00 T Eta = 46.97%</p> <p>Alpha=53.2°+53.2° Beta=44.8°+44.8°</p> <p>G=0.0°</p>	h(m)	Max	Med	D(m)	D(m)	1	3943	1304	2.68	1.99	2	986	326	5.35	3.97	3	438	145	8.03	5.96	4	246	82	10.71	7.95	5	158	52	13.39	9.94
h(m)	Max	Med	D(m)	D(m)																																			
1	3943	1304	2.68	1.99																																			
2	986	326	5.35	3.97																																			
3	438	145	8.03	5.96																																			
4	246	82	10.71	7.95																																			
5	158	52	13.39	9.94																																			
 	Electrónico T5 HO Electronic T5 HO	65.42.71.0	□	2 x 54	118W	1196 x 596 x 104	6542710		<table border="1"> <tr><th>h(m)</th><th>Max</th><th>Med</th><th>D(m)</th><th>D(m)</th></tr> <tr><td>1</td><td>1608</td><td>336</td><td>3.23</td><td>4.46</td></tr> <tr><td>2</td><td>402</td><td>84</td><td>6.47</td><td>8.91</td></tr> <tr><td>3</td><td>179</td><td>37</td><td>9.70</td><td>13.37</td></tr> <tr><td>4</td><td>101</td><td>21</td><td>12.93</td><td>17.83</td></tr> <tr><td>5</td><td>64</td><td>13</td><td>16.17</td><td>22.29</td></tr> </table> <p>Im = 8900.00 Imax = 190.40 cd/klm</p> <p>F UTE 0.68 G + 0.02 T Eta = 56%</p> <p>Alpha=58.3°+58.3° Beta=65.8°+65.8°</p> <p>G=0.0°</p>	h(m)	Max	Med	D(m)	D(m)	1	1608	336	3.23	4.46	2	402	84	6.47	8.91	3	179	37	9.70	13.37	4	101	21	12.93	17.83	5	64	13	16.17	22.29
	h(m)	Max	Med	D(m)	D(m)																																		
1	1608	336	3.23	4.46																																			
2	402	84	6.47	8.91																																			
3	179	37	9.70	13.37																																			
4	101	21	12.93	17.83																																			
5	64	13	16.17	22.29																																			