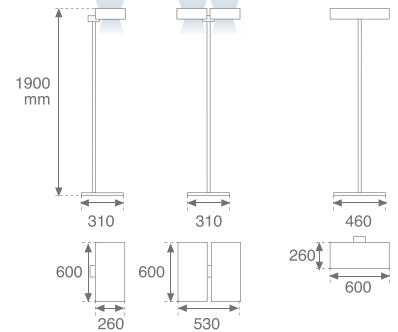




Luminaria de pie modelo DINAMIC de radiación directa con difusor de policarbonato serigrafiado y radiación indirecta con difusor de policarbonato transparente. Fabricado en extrusión de aluminio anodizado mate. Hay dos versiones doble e individual, las dos incorporan pulsador con regulación de luz para lámparas TC-L.

Dinamic free standing luminaire with a deco polycarbonate diffuser for direct lighting and transparent polycarbonate diffuser for indirect lighting. Made of extruded aluminium anodized in metallic grey. It is available in a simple or double version, both dimmable for TC-L lamps. Includes a dimmer.



Aplique de pie DINAMIC indirecto-directo con difusor de policarbonato serigrafiado y regulable  
 DINAMIC indirect-direct free standing luminaire with polycarbonate deco diffuser and dimmable ballast



Lamp	Equipo / Gear	Ref	Color	W	Plum																																				
	Electrónico Electronic	61.52.20.3 61.54.20.3		2 x 55 4 x 55	119,6W 239,2W	simple doble	6152203 Semiplanes C			<table border="1"> <thead> <tr> <th>h[m]</th> <th>Max</th> <th>Med</th> <th>D[m]</th> <th>D[m]</th> </tr> </thead> <tbody> <tr> <td>1</td> <td>2162</td> <td>822</td> <td>2,17</td> <td>1,87</td> </tr> <tr> <td>2</td> <td>541</td> <td>206</td> <td>4,35</td> <td>3,73</td> </tr> <tr> <td>3</td> <td>240</td> <td>91</td> <td>6,52</td> <td>5,60</td> </tr> <tr> <td>4</td> <td>135</td> <td>51</td> <td>8,69</td> <td>7,46</td> </tr> <tr> <td>5</td> <td>86</td> <td>33</td> <td>10,87</td> <td>9,33</td> </tr> </tbody> </table>	h[m]	Max	Med	D[m]	D[m]	1	2162	822	2,17	1,87	2	541	206	4,35	3,73	3	240	91	6,52	5,60	4	135	51	8,69	7,46	5	86	33	10,87	9,33	lm = 9600.00 lmax = 226.42 cd/Klm F UTE Inclasificable Eta = 57.87% G=0.0° Alpha=-47.4°+47.4° Beta=43.0°+43.0°
h[m]	Max	Med	D[m]	D[m]																																					
1	2162	822	2,17	1,87																																					
2	541	206	4,35	3,73																																					
3	240	91	6,52	5,60																																					
4	135	51	8,69	7,46																																					
5	86	33	10,87	9,33																																					



Difusor superior de policarbonato transparente incluido  
 Transparent polycarbonate upper diffuser included



Difusor de policarbonato serigrafiado  
 Polycarbonate deco diffuser