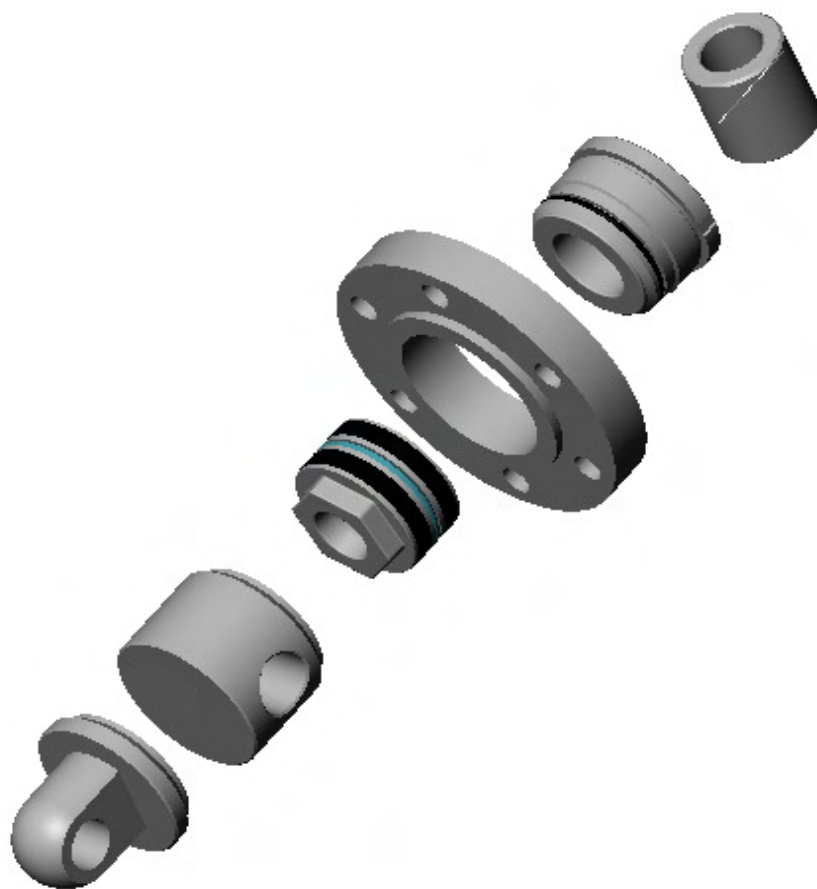


CATALOGO DE COMPONENTES

CILINDROS HIDRAULICOS



CATALOGO DE COMPONENTES

INDICE

CABEZAS SIMPLE EFECTO
CABEZAS DOBLE EFECTO
CABEZAS DOBLE EFECTO
PISTONES DE DOS PIEZAS
PISTONES MECANIZADOS
PISTONES FORJADOS
FONDOS TALADRADOS
TAPAS
CASQUILLOS
FONDO CHARNELA MACHO
CHARNELA MACHO ROSCADA
BRIDA DELANTERA Y TRASERA
BRIDA DE MUÑONES
SOPORTES Y PATAS DE APOYO
RACORES ALIMENTACION
RACORES ALIMENTACION
TORICAS
RASCADORES
COLLARINES
JUNTAS DE PISTON
GUIAS DE PISTON
JUNTAS DE PISTON – FRENO
TAPONES

CABEZAS SIMPLE EFECTO

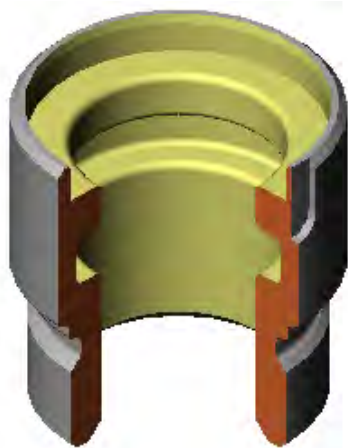
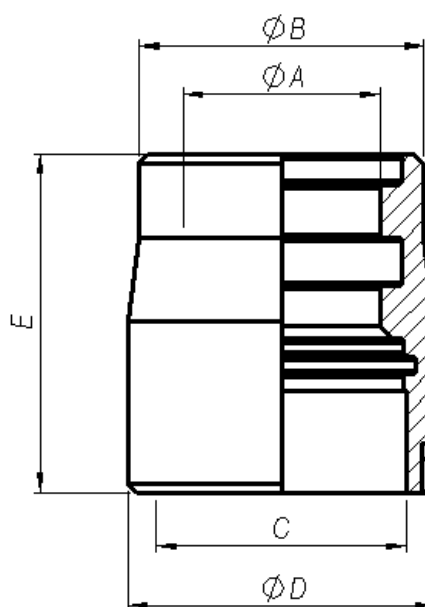
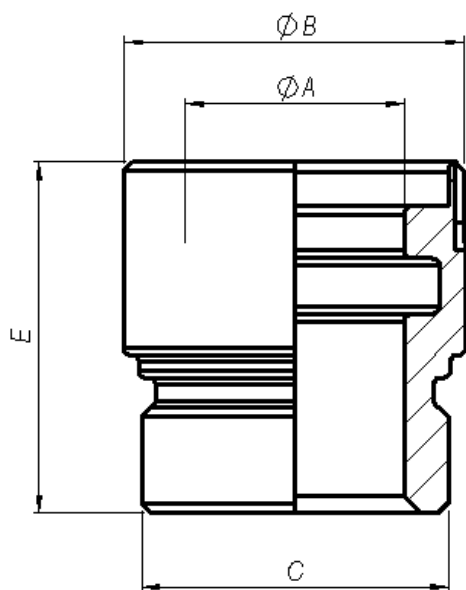


FIGURA 1



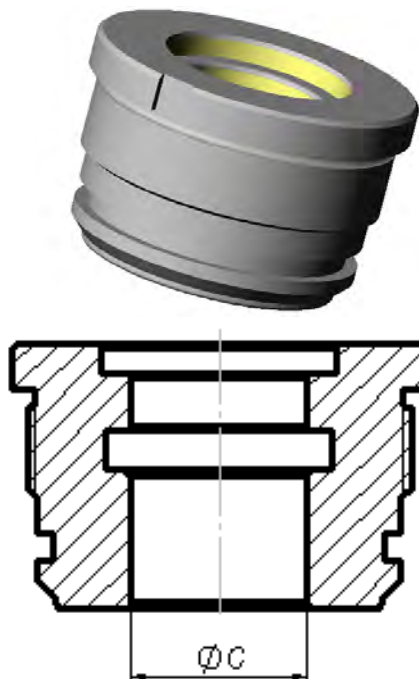
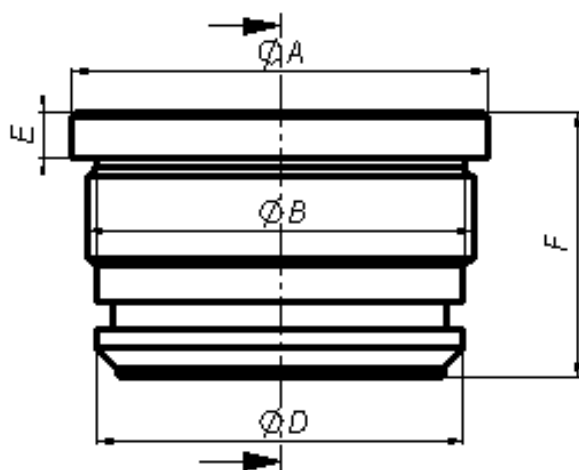
FIGURA 2



Material F-1140 (DIN C45) Nitrurado Antigripante

| REFERENCIA | A | B | C | D | E | FIGURA | kg/pieza | Montaje cil |
|------------|----|----|---------|-----|-----|--------|----------|-------------|
| CSE25CH | 25 | 40 | M35x1,5 | | 40 | 1 | 0,15 | 625 |
| CSE30CH | 30 | 50 | M42x1,5 | | 46 | 1 | 0,27 | 630 |
| CSE35CH | 35 | 55 | M48x1,5 | | 65 | 1 | 0,48 | 635 |
| CSE40CH | 40 | 60 | M53x1,5 | | 65 | 1 | 0,5 | 640 |
| CSE45CH | 45 | 65 | M59x2 | 70 | 77 | 2 | 0,79 | 645 |
| CSE50CH | 50 | 70 | M64x2 | 75 | 80 | 2 | 0,91 | 650 |
| CSE55CH | 55 | 75 | M69x2 | 85 | 95 | 2 | 1,42 | 655 |
| CSE60CH | 60 | 80 | M74x2 | 90 | 95 | 2 | 1,55 | 660 |
| CSE70CH | 70 | 98 | M89x2 | 108 | 110 | 2 | 2,93 | 670 |

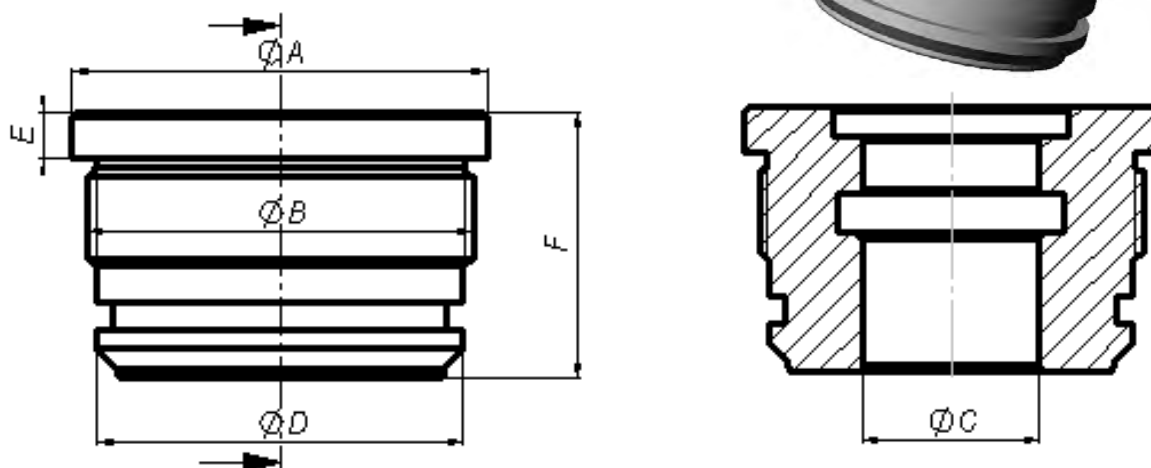
CABEZAS DOBLE EFECTO



Material F-1140 (DIN C45) Antigripante

| REFERENCIA | A | B | C | D | E | F | kg/pieza | Montaje cil. |
|------------|----|---------|----|------|----|----|----------|--------------|
| *CDE1632 | 40 | M37x1,5 | 16 | 32 | 8 | 33 | 0,19 | varios |
| *CDE2032 | 40 | M37x1,5 | 20 | 32 | 8 | 33 | 0,14 | 700 |
| *CDE2040N | 50 | M45x2 | 20 | 41,5 | 7 | 40 | 0,32 | varios |
| *CDE2240N | 50 | M45x2 | 22 | 41,5 | 7 | 40 | 0,29 | varios |
| *CDE2540N | 50 | M45x2 | 25 | 41,5 | 7 | 40 | 0,25 | 701 |
| *CDE2840N | 50 | M45x2 | 28 | 41,5 | 7 | 40 | 0,21 | varios |
| CDE2050N | 60 | M55x2 | 20 | 51,5 | 8 | 43 | 0,62 | varios |
| *CDE2550N | 60 | M55x2 | 25 | 51,5 | 8 | 43 | 0,52 | varios |
| *CDE2850N | 60 | M55x2 | 28 | 51,5 | 8 | 43 | 0,50 | varios |
| CDE3050N | 60 | M55x2 | 30 | 51,5 | 8 | 43 | 0,44 | 702 |
| CDE3550N | 60 | M55x2 | 35 | 51,5 | 8 | 43 | 0,34 | varios |
| *CDE3650N | 60 | M55x2 | 36 | 51,5 | 8 | 43 | 0,35 | varios |
| CDE2560N | 70 | M65x2 | 25 | 61,5 | 8 | 45 | 0,88 | varios |
| CDE3060N | 70 | M65x2 | 30 | 61,5 | 8 | 45 | 0,80 | 703 |
| CDE3560N | 70 | M65x2 | 35 | 61,5 | 8 | 45 | 0,69 | varios |
| CDE4060N | 70 | M65x2 | 40 | 61,5 | 8 | 45 | 0,55 | varios |
| *CDE2863N | 75 | M70x2 | 28 | 64,5 | 8 | 45 | 1,00 | varios |
| *CDE3663N | 75 | M70x2 | 36 | 64,5 | 8 | 45 | 0,84 | varios |
| *CDE4060N | 75 | M70x2 | 40 | 64,5 | 8 | 45 | 0,72 | varios |
| *CDE4563N | 75 | M70x2 | 45 | 64,5 | 8 | 45 | 0,59 | varios |
| CDE3570N | 80 | M75x2 | 35 | 71,5 | 10 | 49 | 1,17 | varios |
| CDE4070N | 80 | M75x2 | 40 | 71,5 | 10 | 49 | 1,01 | 704 |
| CDE4570N | 80 | M75x2 | 45 | 71,5 | 10 | 49 | 0,88 | varios |
| CDE5070N | 80 | M75x2 | 50 | 71,5 | 10 | 49 | 0,69 | varios |
| CDE3580N | 90 | M85x2 | 35 | 81,5 | 10 | 54 | 1,81 | varios |

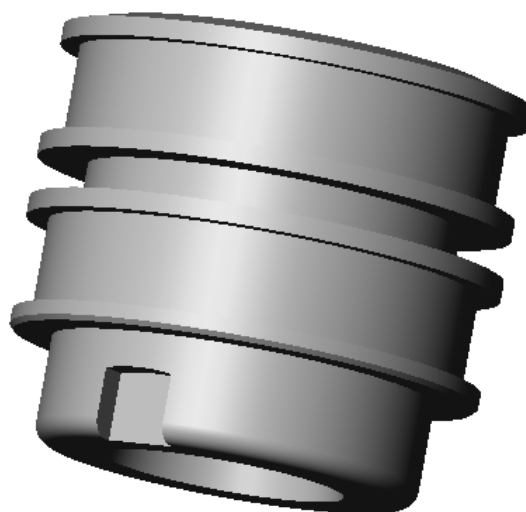
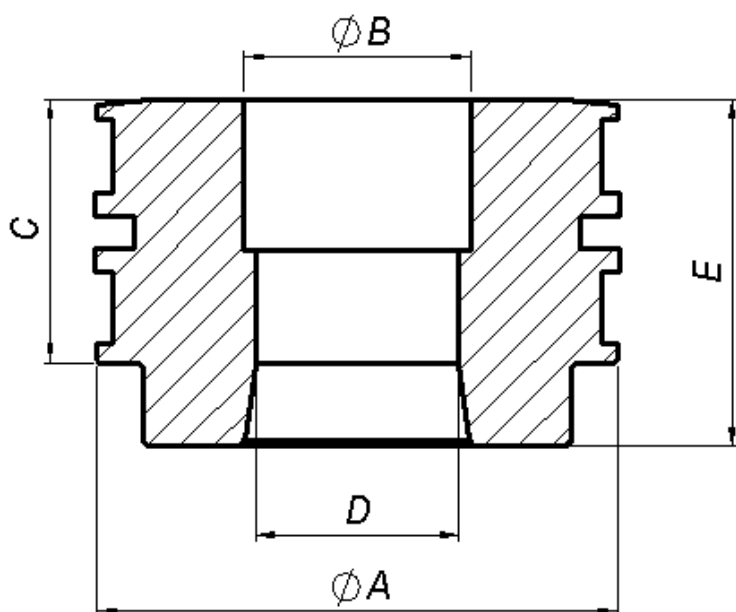
CABEZAS DOBLE EFECTO



Material F-1140 (DIN C45) Antigripante

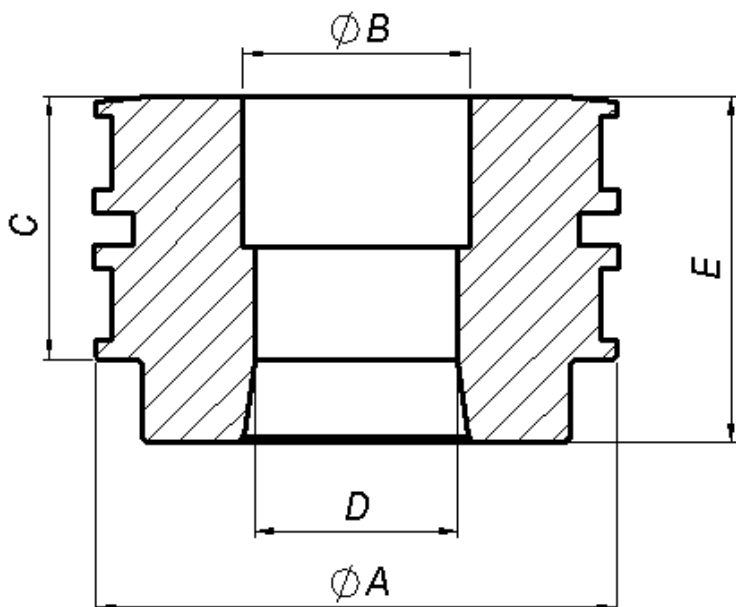
| REFERENCIA | A | B | C | D | E | F | kg/pieza | Montaje cil. |
|------------|-----|--------|-----|-------|----|-----|----------|--------------|
| *CDE3680N | 90 | M85x2 | 36 | 81,5 | 10 | 54 | 1,84 | varios |
| *CDE4080N | 90 | M85x2 | 40 | 81,5 | 10 | 54 | 1,65 | 705 |
| *CDE4580N | 90 | M85x2 | 45 | 81,5 | 10 | 54 | 1,49 | varios |
| *CDE5080N | 90 | M85x2 | 50 | 81,5 | 10 | 54 | 1,33 | varios |
| CDE5580N | 90 | M85x2 | 55 | 81,5 | 10 | 54 | 1,12 | varios |
| *CDE5680N | 90 | M85x2 | 56 | 81,5 | 10 | 54 | 1,08 | varios |
| CDE6080N | 90 | M85x2 | 60 | 81,5 | 10 | 54 | 0,93 | varios |
| CDE4090N | 100 | M95x2 | 40 | 91,5 | 10 | 60 | 2,50 | varios |
| CDE4590N | 100 | M95x2 | 45 | 91,5 | 10 | 60 | 2,33 | varios |
| CDE5090N | 100 | M95x2 | 50 | 91,5 | 10 | 60 | 2,14 | varios |
| CDE5590N | 100 | M95x2 | 55 | 91,5 | 10 | 60 | 1,94 | varios |
| CDE6090N | 100 | M95x2 | 60 | 91,5 | 10 | 60 | 1,72 | varios |
| *CDE45100N | 110 | M105x2 | 45 | 101,5 | 10 | 60 | 3,06 | varios |
| *CDE50100N | 110 | M105x2 | 50 | 101,5 | 10 | 60 | 2,87 | 706 |
| CDE55100N | 110 | M105x2 | 55 | 101,5 | 10 | 60 | 2,65 | varios |
| *CDE56100N | 110 | M105x2 | 56 | 101,5 | 10 | 60 | 2,61 | varios |
| CDE60100N | 110 | M105x2 | 60 | 101,5 | 10 | 60 | 2,43 | varios |
| *CDE70100N | 110 | M105x2 | 70 | 101,5 | 10 | 60 | 1,92 | varios |
| CDE70120 | 134 | M125x2 | 70 | 119,6 | 15 | 80 | 4,90 | 707 |
| *CDE70125 | 139 | M130x2 | 70 | 124,6 | 15 | 80 | 5,53 | varios |
| *CDE90125 | 139 | M130x2 | 90 | 124,6 | 15 | 80 | 3,83 | varios |
| *CDE80140 | 155 | M145x2 | 80 | 140,6 | 15 | 90 | 7,50 | varios |
| *CDE90160 | 175 | M165x2 | 90 | 160,6 | 20 | 100 | 11,25 | varios |
| *CDE110160 | 175 | M165x2 | 110 | 160,6 | 20 | 100 | 8,95 | varios |
| *CDE110200 | 225 | M208x2 | 110 | 200,6 | 20 | 110 | 20,19 | varios |

PISTONES DOBLE EFECTO MECANIZADOS



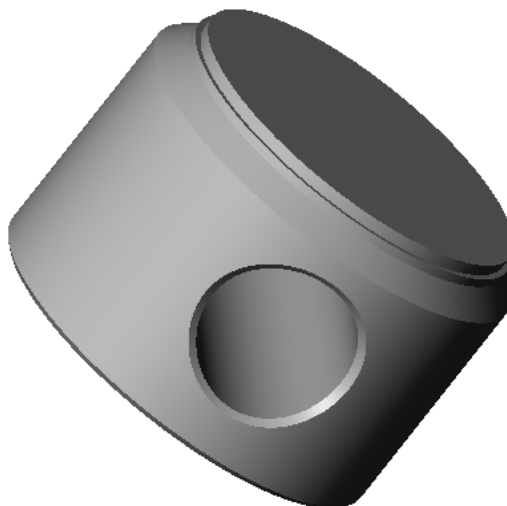
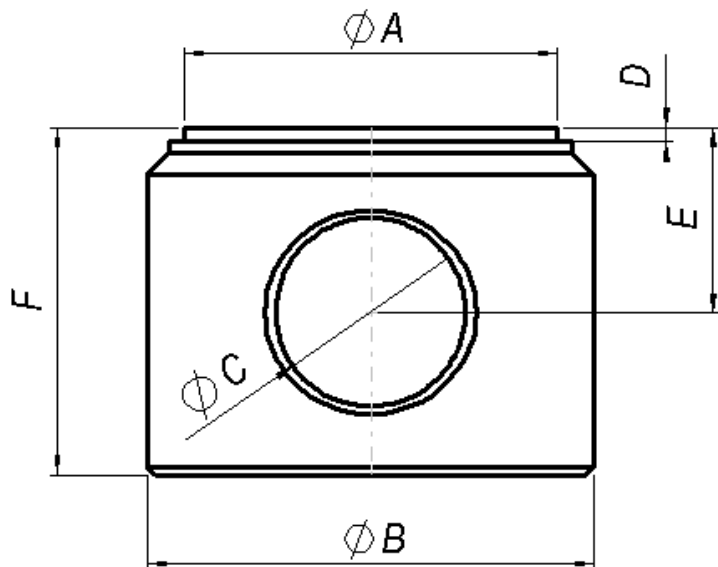
| REFERENCIA | A | B | C | D | E | kg/pieza | Montaje cil. |
|------------|-----|----|----|-------|----|----------|--------------|
| P4020CI | 40 | 20 | 31 | M16x2 | 41 | 0,21 | 701 |
| P5020CI | 50 | 20 | 33 | M16x2 | 44 | 0,41 | 8004 |
| P5025CI | 50 | 25 | 33 | M22x2 | 44 | 0,37 | 702 |
| P6020CI | 60 | 20 | 33 | M16x2 | 44 | 0,56 | varios |
| P6025CI | 60 | 25 | 33 | M22x2 | 44 | 0,52 | 703 |
| P6325CI | 63 | 25 | 33 | M22x2 | 44 | 0,64 | 8011/8013 |
| P7030CI | 70 | 30 | 35 | M27x2 | 46 | 0,77 | 704 |
| P8030CI | 80 | 30 | 42 | M27x2 | 53 | 1,3 | 705 |
| P9030CI | 90 | 30 | 45 | M27x2 | 56 | 1,89 | varios |
| P9040CI | 90 | 40 | 45 | M36x2 | 56 | 1,79 | varios |
| P10040CI | 100 | 40 | 45 | M36x2 | 57 | 2,1 | 706 |
| | | | | | | | |

PISTONES DOBLE EFECTO FORJADOS



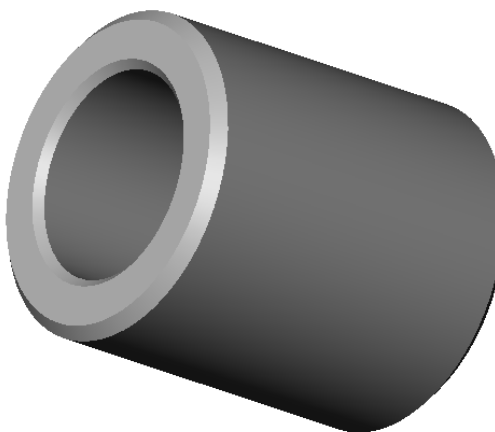
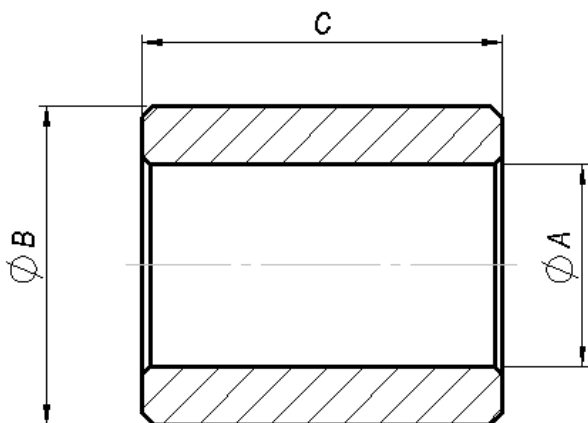
| REFERENCIA | A | B | C | D | E | kg/pieza | Montaje cil. |
|------------|-----|----|----|-------|----|----------|--------------|
| P5025FM | 50 | 25 | 33 | M22x2 | 44 | 0,37 | 702 |
| P6025FM | 60 | 25 | 33 | M22x2 | 44 | 0,5 | 703 |
| P7030FM | 70 | 30 | 35 | M27x2 | 46 | 0,75 | 704 |
| P8030FM | 80 | 30 | 42 | M27x2 | 53 | 1,25 | 705 |
| P10040FM | 100 | 40 | 45 | M36x2 | 57 | 2,1 | 706 |

FONDOS TALADRADOS



| REFERENCIA | A | B | C | D | E | F | kg/pieza | Montaje cil. |
|-----------------|-----|-----|------|---|------|----|----------|--------------|
| F401432 | 32 | 40 | 14,2 | 2 | 18 | 32 | 0,27 | 625 |
| F401648 | 32 | 40 | 16,2 | 2 | 32 | 48 | 0,41 | 700 |
| F451227 | 39 | 45 | 12 | 2 | 15 | 27 | 0,30 | freno |
| F451543 | 39 | 45 | 15 | 2 | 28 | 43 | 0,47 | varios |
| F501638 | 40 | 50 | 16,5 | 2 | 20,5 | 38 | 0,51 | 630 |
| F502038 | 40 | 50 | 20,5 | 2 | 20,5 | 38 | 0,46 | 701 |
| F552047 | 45 | 55 | 20,5 | 2 | 25 | 47 | 0,68 | 635 |
| F602347 | 50 | 60 | 23,5 | 2 | 25 | 47 | 0,85 | 640/645 |
| F602547 | 50 | 60 | 25,5 | 2 | 25 | 47 | 0,81 | 702 |
| F652553 | 55 | 65 | 25,5 | 2 | 28 | 53 | 1,13 | 650 |
| F702547 | 60 | 70 | 25,5 | 2 | 25 | 47 | 1,15 | 655/703 |
| F752553 | 65 | 75 | 25,5 | 2 | 28 | 53 | 1,55 | 660 |
| F803058 | 70 | 80 | 30,5 | 2 | 30 | 58 | 1,85 | 704 |
| F903058 | 80 | 90 | 30,5 | 2 | 30 | 58 | 2,40 | 705 |
| F1053060 | 90 | 105 | 30,5 | 2 | 30 | 60 | 3,50 | varios |
| F1153058 | 100 | 115 | 30,5 | 2 | 30 | 58 | 4,09 | 706 |
| F1404085 | 120 | 140 | 40,5 | 2 | 45 | 85 | 8,82 | 707 |

CASQUILLOS



| REFERENCIA | A | B | C | kg/pieza | Montaje cil. |
|------------|------|----|----|----------|--------------|
| CA301635 | 16,2 | 30 | 35 | 0,14 | 700 |
| CA352040 | 20,5 | 35 | 40 | 0,2 | 701 |
| CA402545 | 25,5 | 40 | 45 | 0,27 | 702/703 |
| CA503055 | 30,5 | 50 | 55 | 0,53 | 704/705 |
| CA603070 | 30,5 | 60 | 70 | 1,44 | 706 |
| CA804080 | 40,5 | 80 | 80 | 2,36 | 707 |

FONDOS CHARNELA

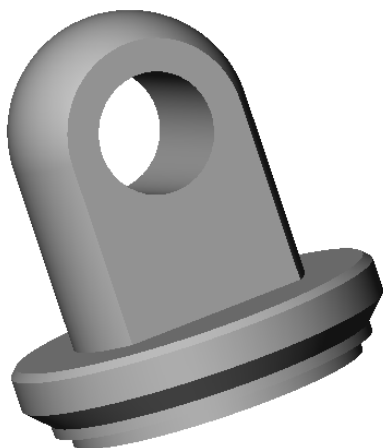
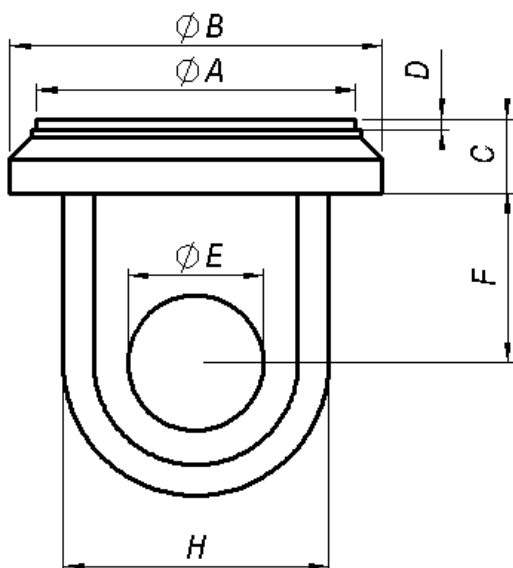


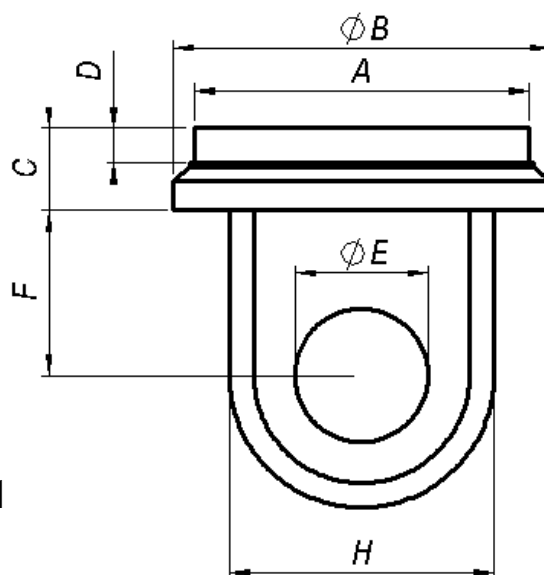
FIGURA 1



FIGURA 2

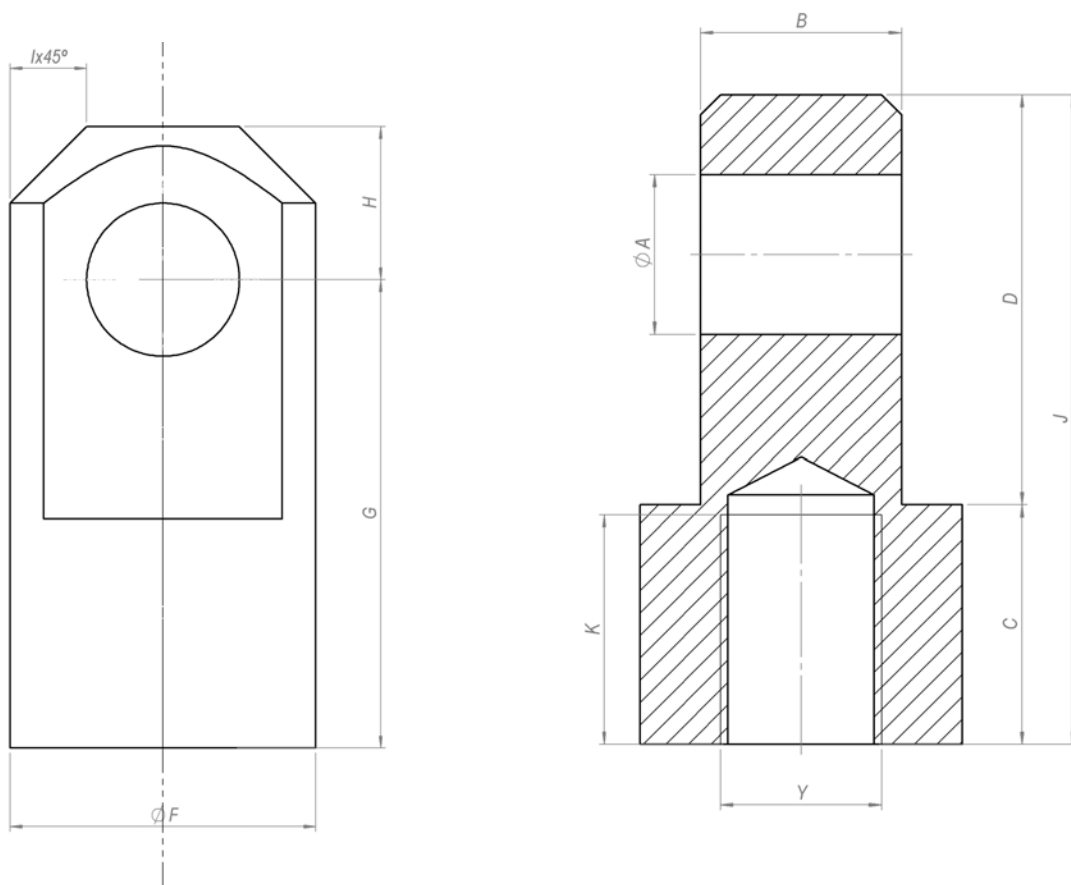
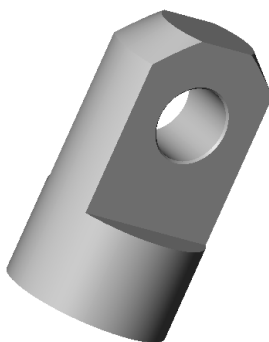


1



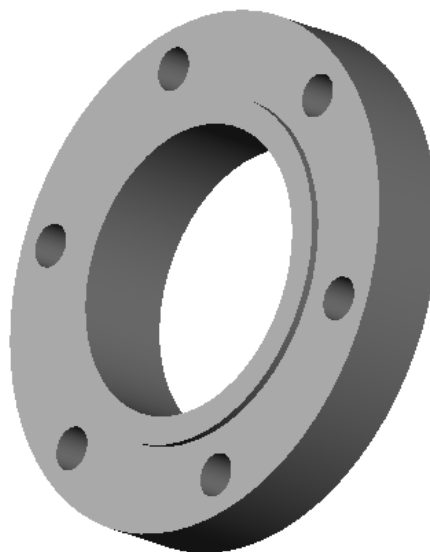
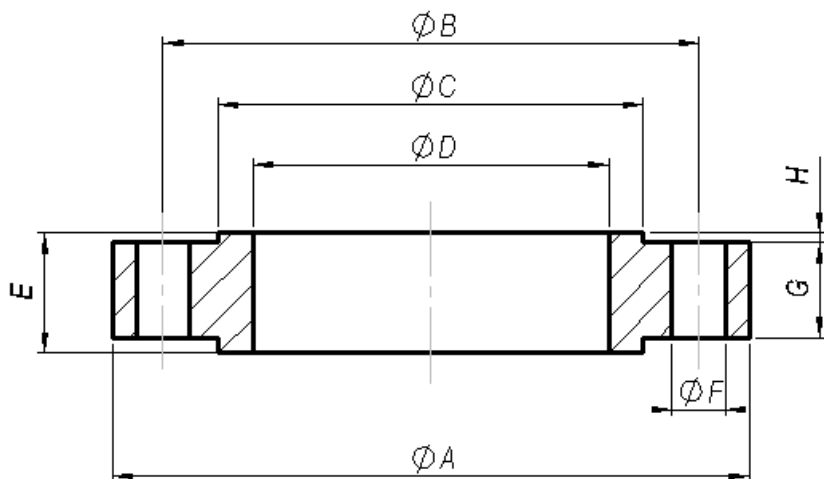
| REFERENCIA | A | B | C | D | E | F | H | I | FIG. | kg/pieza | Montaje cil. |
|---------------|--------|-----|----|----|------|----|-----|-----|------|----------|--------------|
| FCH42 | 32 | 42 | 12 | 2 | 12,2 | 20 | 26 | 16 | 1 | | 8300 |
| FCH50 | 40 | 50 | 12 | 2 | 16,2 | 25 | 32 | 20 | 1 | | 8301/8303 |
| FCH60 | 50 | 60 | 14 | 2 | 20,5 | 28 | 40 | 25 | 1 | | 8304/8307 |
| FCH70 | 60 | 70 | 14 | 2 | 25,5 | 32 | 50 | 32 | 1 | | 8308/8310 |
| FCH75 | 63 | 75 | 14 | 2 | 25,5 | 32 | 50 | 32 | 1 | | 8311/8313 |
| FCH80 | 70 | 80 | 16 | 2 | 25,5 | 32 | 50 | 32 | 1 | | 8314/8316 |
| FCH95 | 80 | 95 | 16 | 2 | 32,5 | 45 | 64 | 40 | 1 | | 8317/8321 |
| FCH105 | 90 | 105 | 18 | 2 | 32,5 | 45 | 64 | 40 | 1 | | |
| FCH115 | 100 | 115 | 18 | 2 | 40,5 | 55 | 80 | 50 | 1 | | 8322/8326 |
| FCH145 | 125 | 145 | 20 | 2 | 50,5 | 65 | 100 | 60 | 1 | | 8327/8328 |
| FCH160 | M142x2 | 160 | 35 | 15 | 56,5 | 70 | 112 | 65 | 2 | | 8329 |
| FCH180 | M162x2 | 180 | 35 | 15 | 63,5 | 75 | 126 | 80 | 2 | | 8330/8331 |
| FCH230 | M202x2 | 230 | 40 | 18 | 80,5 | 95 | 160 | 100 | 2 | | 8332 |

CHARNELAS MACHO



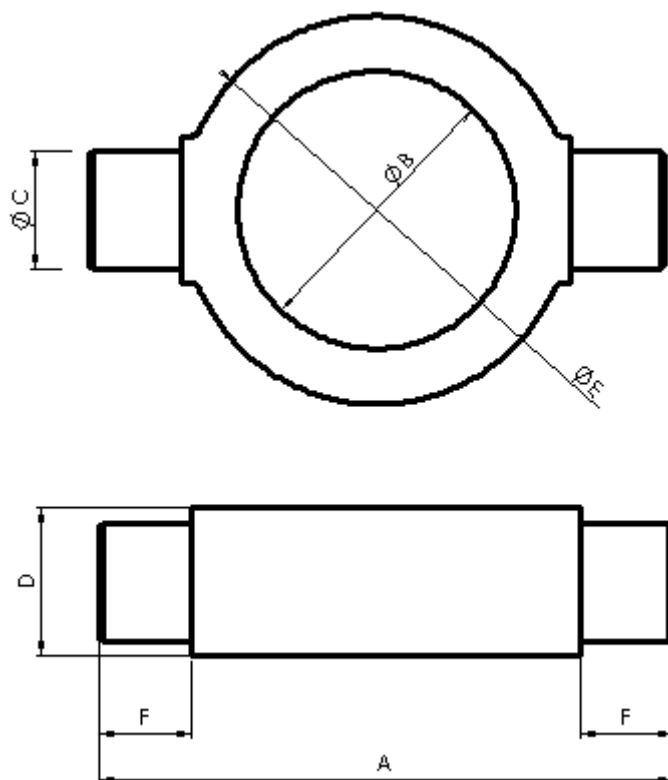
| REF. | A | B | C | D | K | F | G | H | I | J | Y | kg/pza. | Mont. cil. |
|---------|----|-----|----|-----|----|-----|-----|----|-----|-----|--------|---------|------------|
| CHM32R | 12 | 16 | 16 | 31 | 19 | 26 | 34 | 13 | 6,5 | 47 | 14x1,5 | 0,12 | 8300 |
| CHM40R | 16 | 20 | 24 | 41 | 23 | 32 | 49 | 16 | 8 | 65 | 16x1,5 | 0,27 | 8301-8303 |
| CHM50R | 20 | 25 | 28 | 48 | 29 | 40 | 56 | 20 | 10 | 76 | 20x1,5 | 0,48 | 8304-8307 |
| CHM63R | 25 | 32 | 35 | 57 | 37 | 50 | 67 | 25 | 15 | 92 | 27x2 | 0,85 | 8308-8316 |
| CHM80R | 32 | 40 | 44 | 77 | 46 | 65 | 89 | 32 | 17 | 121 | 33x2 | 1,88 | 8317-8321 |
| CHM100R | 40 | 50 | 54 | 95 | 57 | 80 | 109 | 40 | 20 | 149 | 42x2 | 3,60 | 8322-8326 |
| CHM125R | 50 | 60 | 58 | 115 | 64 | 100 | 123 | 50 | 27 | 173 | 48x2 | 6,49 | 8327-8328 |
| CHM140R | 56 | 70 | 68 | 125 | 65 | 115 | 138 | 55 | 30 | 193 | 64x3 | 8,74 | 8329 |
| CHM160R | 63 | 80 | 75 | 138 | 74 | 126 | 150 | 63 | 35 | 213 | 80x3 | 11,54 | 8330-8331 |
| CHM200R | 80 | 100 | 95 | 175 | 96 | 160 | 190 | 80 | 45 | 270 | 80x3 | 25,87 | 8332 |

BRIDAS DELANTERAS Y TRASERAS



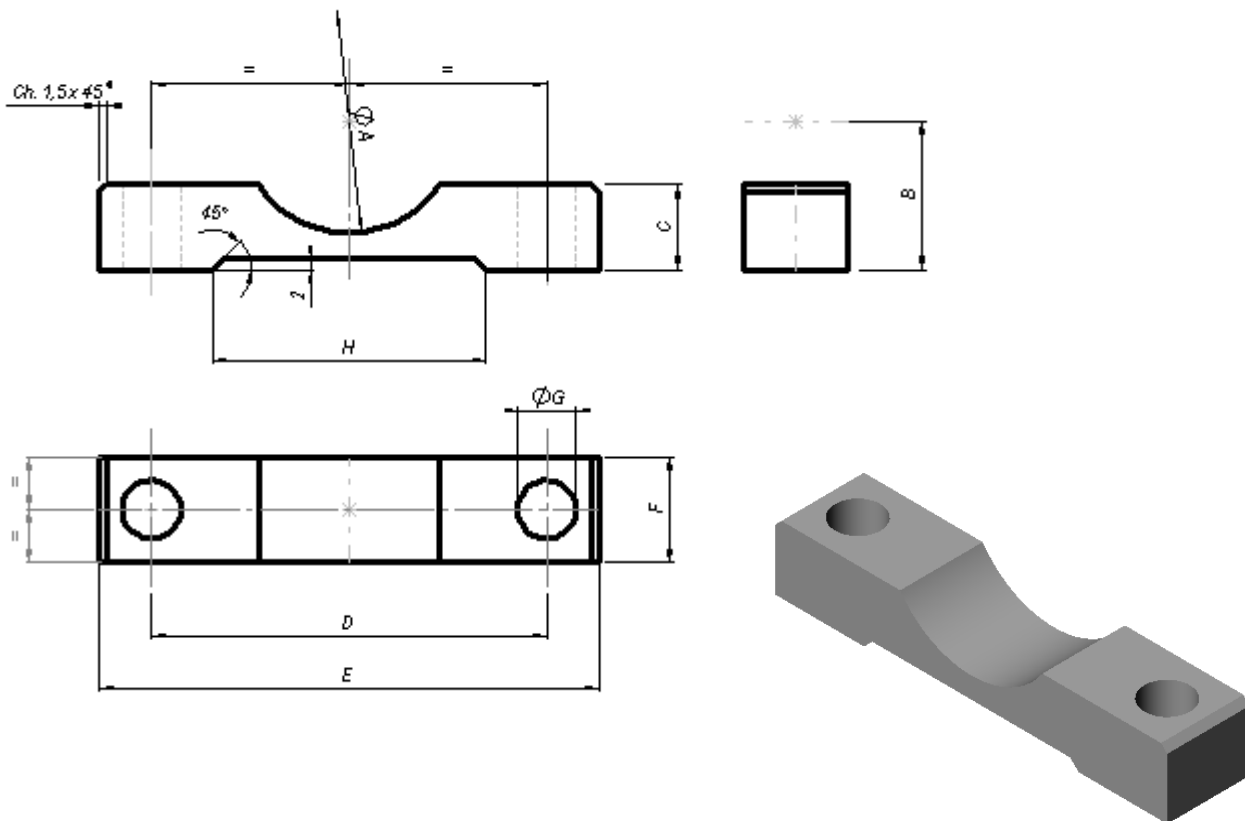
| REFERENCIA | A | B | C | D | E | F | G | H | kg/pieza | Montaje cil. |
|-----------------------|-----|-----|-----|-----|----|----|----|---|----------|--------------|
| B804019N6T7 | 80 | 67 | 52 | 40 | 19 | 7 | 15 | 2 | 0,44 | 8000 |
| B1004822N6T9 | 100 | 82 | 60 | 48 | 22 | 9 | 15 | 2 | 0,72 | 8001/8003 |
| B1255825N6T11 | 125 | 103 | 75 | 58 | 25 | 11 | 18 | 2 | 1,38 | 8004/8007 |
| B1456827N6T13 | 145 | 120 | 90 | 68 | 27 | 13 | 20 | 2 | 2,05 | 8008/8010 |
| B1457327N6T13 | 145 | 120 | 90 | 73 | 27 | 13 | 20 | 2 | 1,93 | 8011/8013 |
| B1607831N6T15 | 160 | 130 | 100 | 78 | 31 | 15 | 24 | 2 | 2,86 | 8014/8016 |
| B1709335N6T15 | 170 | 142 | 110 | 93 | 35 | 15 | 28 | 2 | 3,61 | 8017/8021 |
| B20211338N6T17 | 202 | 170 | 135 | 113 | 38 | 17 | 30 | 3 | 5,13 | 8022/8026 |
| B25014350N6T21 | 250 | 210 | 170 | 143 | 50 | 21 | 40 | 3 | 10,24 | 8027/8028 |
| B28015750N6T21 | 280 | 230 | 200 | 157 | 50 | 21 | 40 | 3 | 13,55 | 8029 |
| B32017667N6T29 | 320 | 270 | 215 | 176 | 67 | 29 | 54 | 3 | 23,32 | 8030/8031 |
| B38522680N6T32 | 385 | 330 | 270 | 226 | 80 | 32 | 65 | 3 | 38,49 | 8032 |

BRIDAS DE MUÑONES



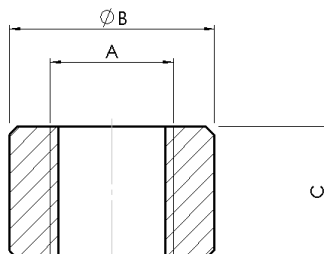
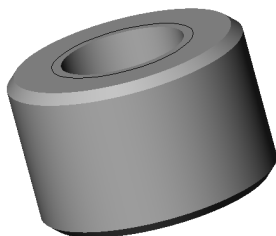
| REFERENCIA | A | B | C | D | E | F | kg/pieza | Montaje cil. |
|--------------|-----|-----|----|----|-----|----|----------|--------------|
| BM32 | 80 | 42 | 16 | 20 | 56 | 12 | 0,23 | 8200 |
| BM40 | 102 | 50 | 20 | 24 | 70 | 16 | 0,45 | 8201/8203 |
| BM50 | 125 | 60 | 25 | 30 | 85 | 20 | 0,86 | 8204/8207 |
| BM60 | 150 | 70 | 30 | 35 | 100 | 25 | 1,37 | 8208/8210 |
| BM63 | 155 | 75 | 32 | 40 | 105 | 25 | 1,71 | 8211/8213 |
| BM70 | 165 | 80 | 32 | 40 | 115 | 25 | 2,05 | 8214/8216 |
| BM80 | 175 | 95 | 32 | 40 | 125 | 25 | 2,18 | 8217/8221 |
| BM100 | 220 | 115 | 40 | 45 | 156 | 32 | 3,77 | 8222/8226 |
| BM125 | 270 | 145 | 50 | 55 | 190 | 40 | 6,35 | 8227/8228 |
| BM140 | 320 | 160 | 55 | 65 | 220 | 50 | 11,04 | 8229 |
| BM160 | 350 | 180 | 63 | 70 | 250 | 50 | 15,38 | 8230/8231 |
| BM200 | 426 | 230 | 80 | 90 | 300 | 63 | 25,63 | 8232 |

PATAS DE APOYO



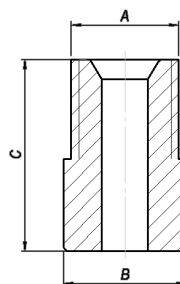
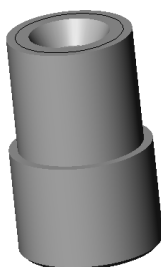
| REFERENCIA | A | B | C | D | E | F | G | H | Montaje cil. |
|--------------|-----|-----|----|-----|-----|----|----|-----|--------------|
| PT32 | 42 | 28 | 16 | 75 | 95 | 20 | 11 | 52 | 8500 |
| PT40 | 50 | 35 | 20 | 94 | 118 | 25 | 13 | 60 | 8501/8503 |
| PT50 | 60 | 40 | 20 | 105 | 130 | 25 | 15 | 70 | 8504/8507 |
| PT60 | 70 | 50 | 25 | 130 | 160 | 30 | 17 | 80 | 8508/8510 |
| PT63 | 75 | 50 | 25 | 130 | 160 | 30 | 17 | 85 | 8511/8513 |
| PT70 | 80 | 55 | 25 | 140 | 170 | 30 | 18 | 90 | 8514/8516 |
| PT80 | 95 | 62 | 30 | 160 | 195 | 40 | 19 | 105 | 8517/8521 |
| PT100 | 115 | 73 | 30 | 185 | 225 | 40 | 23 | 125 | 8522/8526 |
| PT125 | 145 | 88 | 35 | 220 | 265 | 45 | 25 | 155 | 8527/8528 |
| PT140 | 160 | 100 | 40 | 250 | 300 | 50 | 30 | 170 | 8529 |
| PT160 | 180 | 115 | 40 | 295 | 355 | 60 | 35 | 180 | 8530/8531 |
| PT200 | 230 | 140 | 50 | 355 | 425 | 70 | 41 | 240 | 8532 |

RACORES DE ALIMENTACIÓN



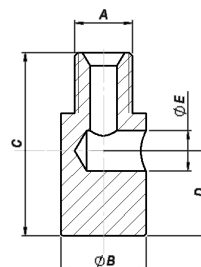
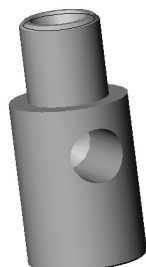
1 MANGUITOS HEMBRA

| REFERENCIA | A | B | C | Kg/pieza | Mont. cil. |
|------------|---------|----|----|----------|------------|
| 4131C | 1/4"G | 22 | 12 | 0,02 | 700 |
| 4132-C | 3/8"G | 25 | 16 | 0,03 | 701/705 |
| 4132 | 3/8"G | 24 | 31 | 0,06 | VARIOS |
| 4133C | 1/2"G | 30 | 20 | 0,06 | 706/707 |
| 4134C | 3/4"G | 35 | 20 | 0,07 | VARIOS |
| 4135 | 1"G | 41 | 49 | 0,18 | VARIOS |
| 4139C | M16x1,5 | 24 | 16 | 0,03 | VARIOS |



MANGUITOS MACHO

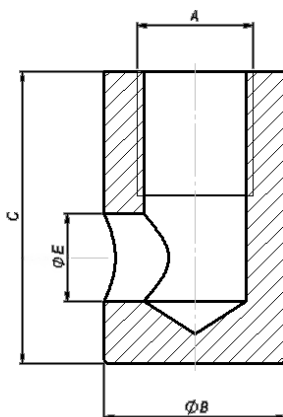
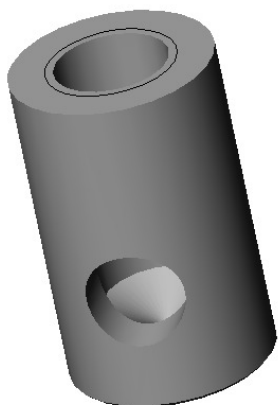
| REFERENCIA | A | B | C | Kg/pieza | Montaje cil. |
|------------|-------|----|----|----------|--------------|
| 4121 | 1/4"G | 16 | 25 | 0,02 | VARIOS |
| 4122 | 3/8"G | 16 | 25 | 0,03 | VARIOS |
| 4123 | 1/2"G | 21 | 29 | 0,05 | VARIOS |



TOMA CONEXIÓN MACHO

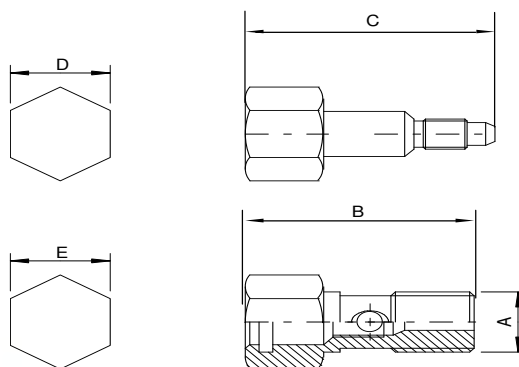
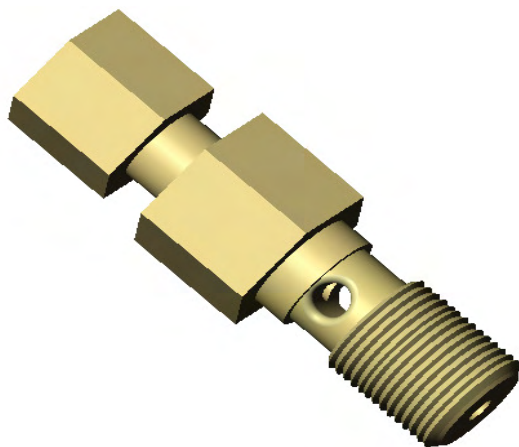
| REFERENCIA | A | B | C | D | E | Kg/pieza | Montaje cil. |
|------------|-------|----|----|----|-------|----------|--------------|
| TCM38L | 3/8"G | 25 | 54 | 25 | 12,25 | 0,14 | VARIOS |
| TCM12 | 1/2"G | 30 | 42 | 13 | 12,25 | 0,135 | 701/705 |

RACORES DE ALIMENTACIÓN



TOMA CONEXIÓN HEMBRA

| REFERENCIA | A | B | C | D | E | Kg/pieza | Montaje cil. |
|------------|-------|----|----|----|-------|----------|--------------|
| TCH14 | 1/4"G | 22 | 40 | 19 | 12,25 | 0,09 | VARIOS |
| TCH38L | 3/8"G | 25 | 50 | 25 | 12,25 | 0,135 | 701/705 |
| TCH12 | 1/2"G | 30 | 40 | 15 | 12,25 | 0,135 | 700 |
| TCH12L | 1/2 | 30 | 50 | 25 | 12,25 | 0,138 | VARIOS |

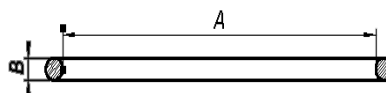
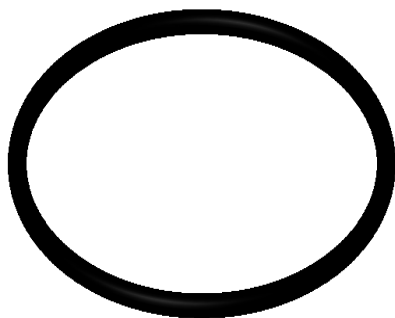


BICROMATADO

TORNILLO REGULADOR

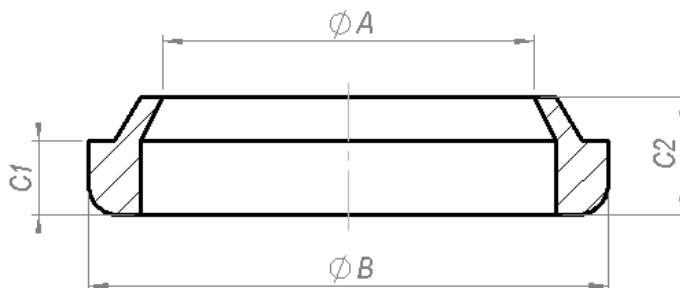
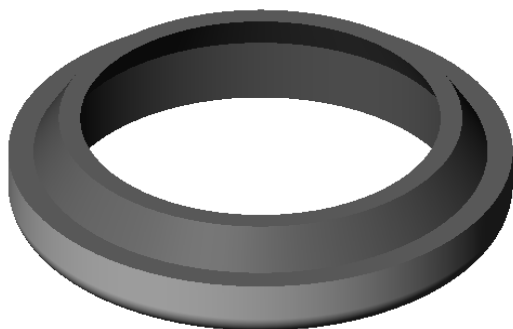
| REFERENCIA | A | B | C | D | E | Kg/pieza | Montaje cil. |
|------------|-------|----|----|----|----|----------|--------------|
| 4022E | 3/8"G | 51 | 54 | 19 | 22 | 0,135 | VARIOS |

JUNTAS TÓRICAS



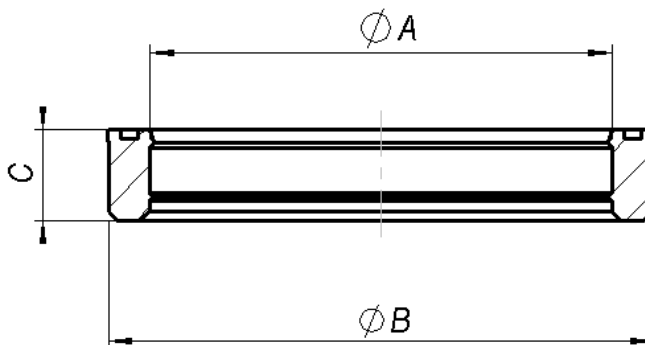
| REFERENCIA | A | B | Montaje cil. |
|------------|--------|------|--------------|
| 2-113 | 13,94 | 2,62 | VARIOS |
| 2-114 | 15,54 | 2,62 | VARIOS |
| 5-598 | 24,6 | 3,6 | FRENO |
| 2-121 | 26,64 | 2,62 | 700/VARIOS |
| 2-124 | 31,42 | 2,62 | 625 |
| 2-221 | 36,09 | 3,53 | 701/VARIOS |
| 2-223 | 40,87 | 3,53 | 635 |
| 2-826 | 42,86 | 3,53 | 702/VARIOS |
| 2-224 | 44,04 | 3,53 | 640 |
| 2-227 | 53,57 | 3,53 | 703/VARIOS |
| 2-228 | 56,74 | 3,53 | 645 |
| 2-836 | 58,74 | 3,53 | VARIOS |
| 2-229 | 59,92 | 3,53 | 650 |
| 2-840 | 65,1 | 3,53 | 704/VARIOS |
| 2-231 | 66,27 | 3,53 | 655 |
| 2-233 | 72,62 | 3,53 | 660 |
| 2-234 | 75,79 | 3,53 | 705/VARIOS |
| 2-340 | 85,09 | 5,33 | 670 |
| 2-237 | 85,32 | 3,53 | VARIOS |
| 2-240 | 94,84 | 3,53 | 706/VARIOS |
| 2-348 | 110,49 | 5,33 | 707 |
| 2-349 | 113,67 | 5,33 | VARIOS |
| 2-354 | 129,54 | 5,33 | VARIOS |
| 2-360 | 148,59 | 5,33 | VARIOS |
| 2-442 | 182,52 | 6,99 | VARIOS |

RASCADORES



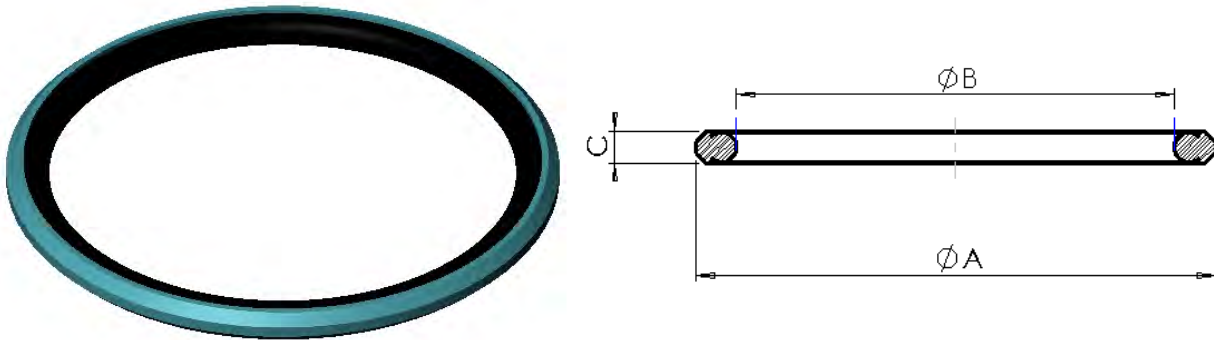
| REFERENCIA | A | B | C1/C2 | kg/pieza | Montaje cil. |
|---------------|-----|-----|-------|----------|--------------------|
| AMM071053 | 16 | 22 | 3/4 | | VARIOS |
| RGM0200280305 | 20 | 28 | 3,5/5 | | VARIOS/700 |
| RGM223257 | 22 | 32 | 5/7 | | VARIOS |
| RGM098137 | 25 | 35 | 5/8 | | VARIOS/701/625 |
| RGM283858 | 28 | 38 | 5/8 | | VARIOS |
| AMM073010 | 30 | 40 | 5/8 | | VARIOS/630/702/703 |
| AMM073050 | 35 | 45 | 7/10 | | VARIOS/635 |
| AMM073054 | 36 | 45 | 7/10 | | VARIOS |
| AMM074005 | 40 | 50 | 7/10 | | VARIOS/640/704/705 |
| AMM074050 | 45 | 55 | 7/10 | | VARIOS/645 |
| AMM075006 | 50 | 60 | 7/10 | | VARIOS/650/706 |
| AMM075048 | 55 | 65 | 7/10 | | VARIOS/655 |
| AMM075052 | 56 | 66 | 7/10 | | VARIOS |
| AMM076007 | 60 | 70 | 7/10 | | VARIOS/660 |
| AMM077008 | 70 | 80 | 7/10 | | VARIOS/670/707 |
| AMM078009 | 80 | 90 | 7/10 | | VARIOS |
| AMM079009 | 90 | 100 | 7/10 | | VARIOS |
| AMM079010 | 100 | 110 | 7/10 | | VARIOS |
| AMM079011 | 110 | 120 | 7/10 | | VAROS |

COLLARINES



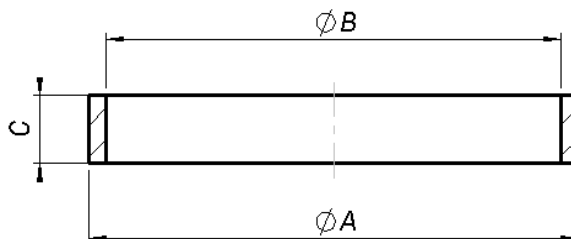
| REFERENCIA | A | B | C1/C2 | kg/pieza | Montaje cil. |
|--------------|-----|-----|-------|----------|--------------------|
| TS16224 | 16 | 22 | 4 | | VARIOS |
| TS202858L | 20 | 28 | 5,8 | | VARIOS/700 |
| TS223058L | 22 | 30 | 5,8 | | VARIOS |
| TS253358L | 25 | 33 | 5,8 | | VARIOS/701/625 |
| TS283658L | 28 | 36 | 5,8 | | VARIOS |
| TS303858L | 30 | 38 | 5,8 | | VARIOS/630/702/703 |
| TS35436L | 35 | 43 | 6 | | VARIOS/635 |
| TS364458L | 36 | 44 | 5,8 | | VARIOS |
| TS405010L | 40 | 50 | 10 | | VARIOS/640/704/705 |
| TS455510L | 45 | 55 | 10 | | VARIOS/645 |
| TS506010L | 50 | 60 | 10 | | VARIOS/650/706 |
| TS556512L | 55 | 65 | 12 | | VARIOS/655 |
| TS5671115L | 56 | 71 | 11,5 | | VARIOS |
| TS6070115L | 60 | 70 | 11,5 | | VARIOS/660 |
| RS7080L | 70 | 80 | 12 | | VARIOS/670/707 |
| RSS809512 | 80 | 95 | 12 | | VARIOS |
| TS90105115L | 90 | 105 | 11,5 | | VARIOS |
| TS10011512L | 100 | 115 | 12 | | VARIOS |
| TS110125113L | 110 | 125 | 11,3 | | VARIOS |

JUNTAS DE PISTÓN



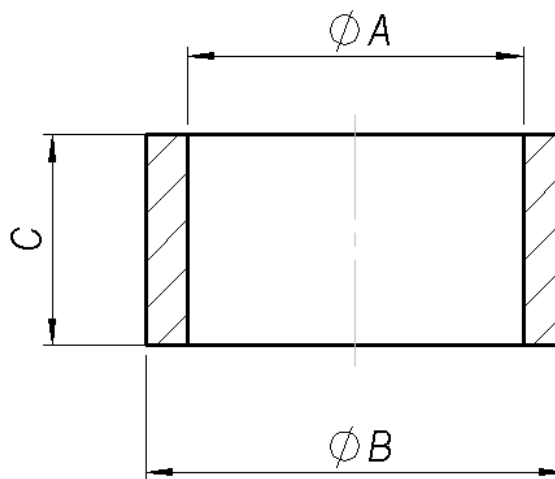
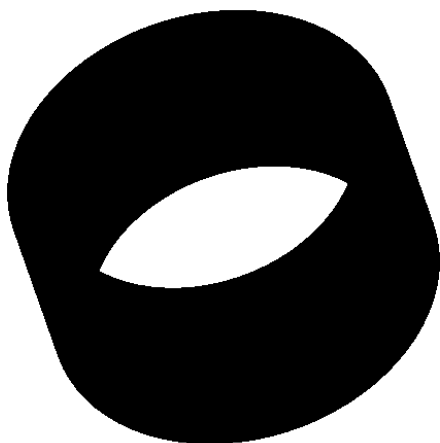
| REFERENCIA | A | B | C | kg/pieza | Montaje cil. |
|---------------|-----|------|-----|----------|--------------|
| GPS40 | 40 | 29 | 4,2 | | VARIOS/701 |
| GPS50 | 50 | 39 | 4,2 | | VARIOS/702 |
| GPS60 | 60 | 49 | 4,2 | | VARIOS/703 |
| GPS63 | 63 | 52 | 4,2 | | VARIOS |
| GPS70 | 70 | 59 | 4,2 | | VARIOS/704 |
| GPS80 | 80 | 64,5 | 6,3 | | VARIOS/705 |
| GPS90 | 90 | 74,5 | 6,3 | | VARIOS |
| GPS100 | 100 | 84,5 | 6,3 | | VARIOS/706 |

GUÍAS DE PISTÓN



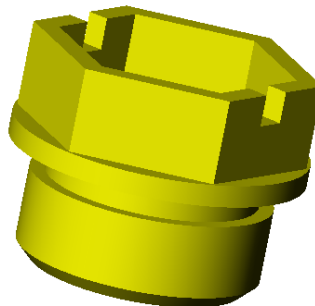
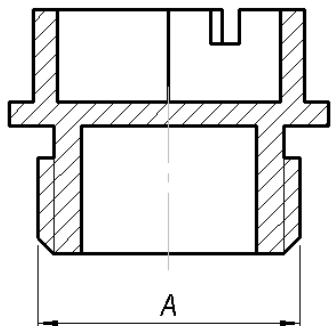
| REFERENCIA | A | B | C | kg/pieza | Montaje cil. |
|------------------|-----|----|-----|----------|--------------|
| GE40356 | 40 | 35 | 6 | | VAROS/701 |
| GE504597 | 50 | 45 | 9,7 | | VARIOS/702 |
| GE605597 | 60 | 55 | 9,7 | | VARIOS/703 |
| GE635897 | 63 | 58 | 9,7 | | VARIOS |
| GE706597 | 70 | 65 | 9,7 | | VARIOS/704 |
| GE807597 | 80 | 75 | 9,7 | | VARIOS/705 |
| GE908597 | 90 | 85 | 9,7 | | VARIOS |
| GE1009597 | 100 | 95 | 9,7 | | VARIOS/706 |

JUNTAS DE PISTÓN - FRENO



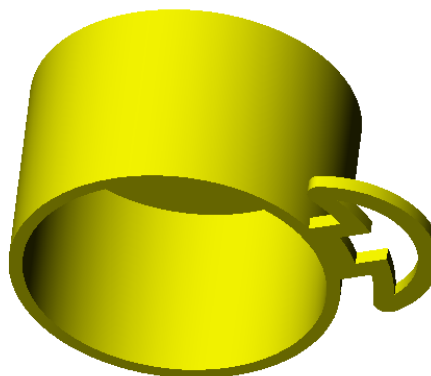
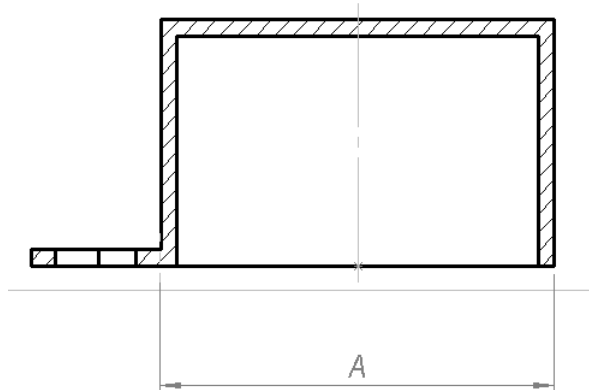
| REFERENCIA | A | B | C | kg/pieza | Montaje cil. |
|-------------|----|----|----|----------|----------------|
| BF16 | 16 | 20 | 10 | | VAROS/701 |
| BF22 | 22 | 25 | 10 | | VARIOS/702/703 |
| BF27 | 27 | 30 | 12 | | VARIOS/704/705 |
| BF36 | 36 | 40 | 12 | | VARIOS/706 |

TAPONES



TAPONES DE RACORES HEMBRA

| REFERENCIA | A | Montaje cil. |
|------------|---------|--------------|
| TPH14 | 1/4"G | VARIOS |
| TPH38 | 3/8"G | VARIOS |
| TPH12 | 1/2"G | VARIOS |
| TPH34 | 3/4"G | VARIOS |
| TPH1 | 1"G | VARIOS |
| TPH16 | M16x1,5 | VARIOS |



TAPONES DE RACORES MACHO

| REFERENCIA | A | Montaje cil. |
|------------|-------|--------------|
| TPM14 | 1/4"G | VARIOS |
| TPM38 | 3/8"G | VARIOS |
| TPM12 | 1/2"G | VARIOS |
| TPM34 | 3/4"G | VARIOS |