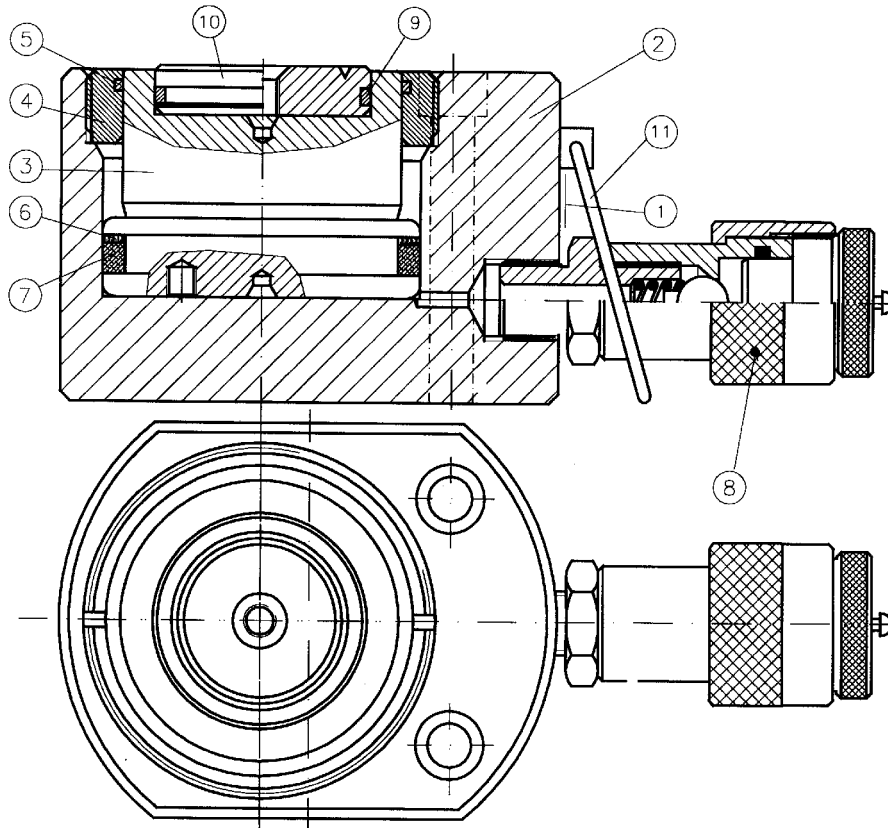


SX05016 SX07516 SX10016 SX15016



	SX05016	SX07516	SX10016	SX15016
	<i>JR.SMX05016*</i>	<i>JR.SMX07516*</i>	<i>JR.SMX10016*</i>	<i>JR.SMX15016*</i>
1	30A0016	30A0016	30A0017	30A0017
2	52K0005	52K0009	52K0006	52K0008
3	53K0005	53K0009	53K0006	53K0008
4	55K0005	55K0009	55K0006	55K0007
*5	12A0028	12A0072	12A0029	12A0066
*6	57A0040	57A0080	57A0050	57A0079
*7	12A0070	12A0095	12A0092	12A0093
8	AZ3140	AZ3140	AZ3140	AZ3140
*9	12A0025	12A0094	12A0030	12A0032
10	56D0004	56D0018	56D0005	56D0029
11	---	---	33C0004	33C0004

LARZEP S.A.
 Avda. Urtiaga, 6. 48269 MALLABIA (Vizcaya).Spain
 P.O.Box,27. 20600 Eibar (Guipúzcoa). Spain
 Tel. (+34) 943-171200 - Fax. (+34) 943-174166
 e-MAIL: hydraulic@larzep.com
www.larzep.com

LARZEP HYDRAULIC (UK) LTD
 UNIT 1A PARK ROAD INDUSTRIAL ESTATE
 CONSETT CO.DURHAM DH85PU. ENGLAND
 Tel. (+44)- 1207-582266 - Fax. (+44)- 1207-583366
 e-MAIL: enquire@larzep.co.uk
www.larzep.com