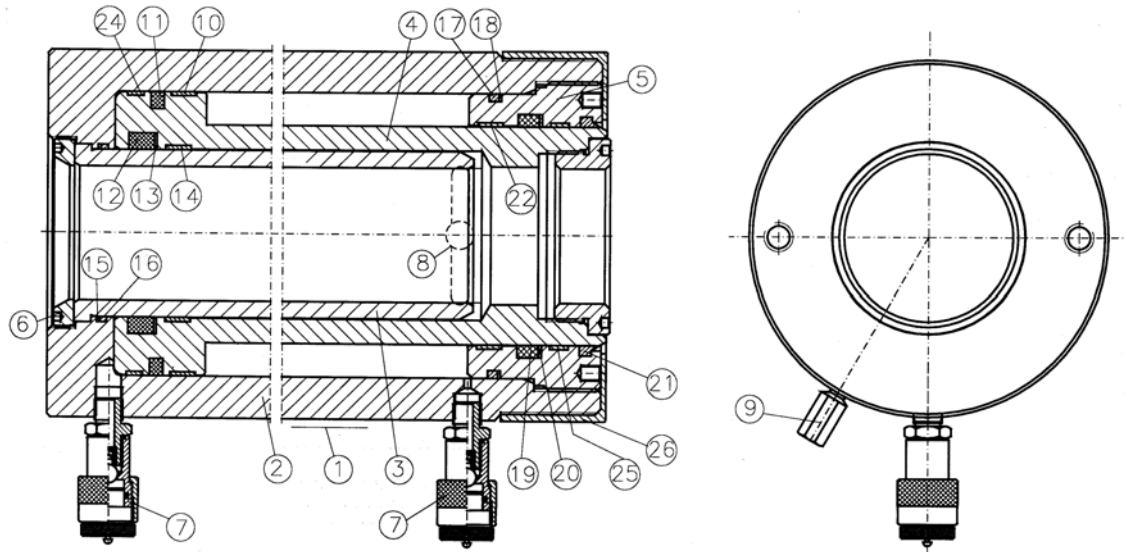


DH10004 DH10008 DH10015 DH10025 DH15018



	DH10004	DH10008	DH10015	DH10025	DH15018
	<i>JR.DH10004*</i>	<i>JR.DH10008*</i>	<i>JR.DH10015*</i>	<i>JR.DH10025*</i>	<i>JR.DH15018*</i>
1	30A0056	30A0056	30A0056	30A0056	30A0056
2	52O0090	52O0085	52O0081	52O0091	52O0080
3	51A0175	51A0143	51A0132	51A0180	51A0129
4	53F0248	53F0209	53F0186	53F0257	53F0185
5	55O0048	55O0041	55O0041	55O0041	55O0040
6	15O0055	15O0055	15O0055	15O0055	15O0055
7	(2) AZ3140	(2) AZ3140	(2) AZ3140	(2) AZ3140	(2) AZ3140
8	(2) 24D0019	(2) 24D0019	(2) 24D0019	(2) 24D0019	(2) 24D0019
9	17C0006	17C0006	17C0006	17C0006	17C0006
*10	58F0082	58F0082	(2) 58F0082	(3) 58F0082	(2) 58F0147
*11	12B0117	12B0117	12B0117	12B0117	12B0130
*12	12B0172	12B0172	12B0172	12B0172	12B0172
*13	57A0279	57A0279	57A0279	57A0279	57A0279
*14	58F0148	58F0148	58F0148	(2) 58F0148	58F0148
*15	57A0310	57A0310	57A0310	57A0310	57A0310
*16	12A0135	12A0135	12A0135	12A0135	12A0135
*17	12A0229	12A0229	12A0229	12A0229	12A0124
*18	57A0280	57A0280	57A0280	57A0280	57A0312
*19	12B0221	12B0221	12B0221	12B0221	12B0203
*20	57A0329	57A0329	57A0329	57A0329	57A0311
*21	12H0076	12H0076	12H0076	12H0076	12H0075
*22	---	58F0133	58F0133	58F0133	58F0096
23	AZ0540	AZ0540	AZ0540	AZ0540	AZ0545
*24	08G0012	08G0012	---	---	---
*25	58F0204	58F0204	58F0016	58F0204	---
26	---	12L0016	12L0016	12L0016	---