

Omologazione <i>Homologation</i> Bestaetigt	CE IV[^] (ISPESL - TUV)	Sovrapressione <i>Overpressure</i> Über-unterdruck	10%
PN	40	Scarto in chiusura <i>Closing variation</i> Unterdruck	20%
k	0,72		
Diametro orifizio <i>Opening diameter</i> Innen durchmesser	12	Campo di taratura bar <i>Setting rang</i> Eichungsbereich	0,5 – 30,0

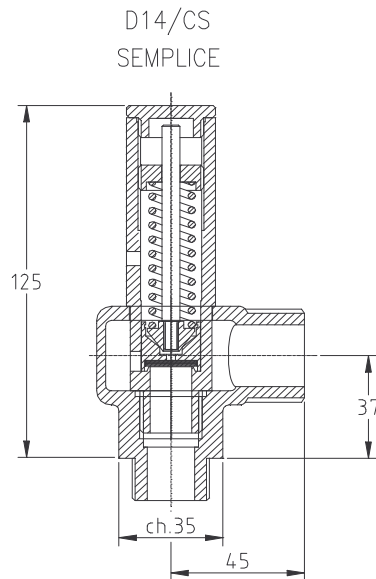
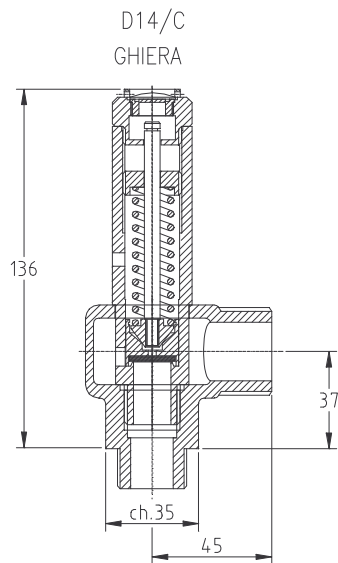
VERSIONE <i>VERSION</i> AUSFUHRUNG	MATERIALI <i>MATERIALS</i> MATERIAL
Ottone <i>Brass</i> Messing	UNI EN 12164 CW614N (min -50°C / max +200°C)

CONNESSIONI STANDARD
STANDARD CONNECTIONS
STANDARDANSCHLUSSE

In	Out
G.1/2" ISO 228	/

GUARNIZIONI
GASKET
DICHTUNG

N.B.R. (Standard)	-10 / +100 °C
E.P.D.M.	-50 / +150 °C
VITON	-20 / +200 °C
SILICONE	-60 / +200 °C
TEFLON	-100 / +180 °C

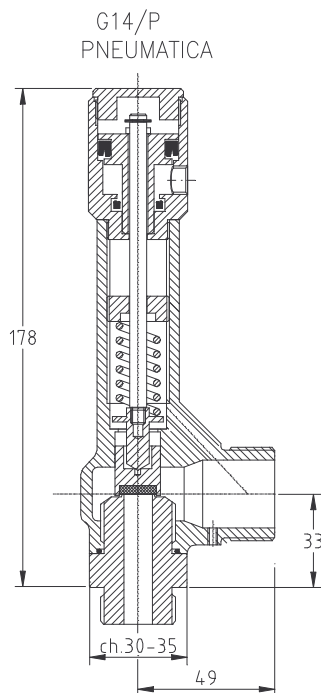
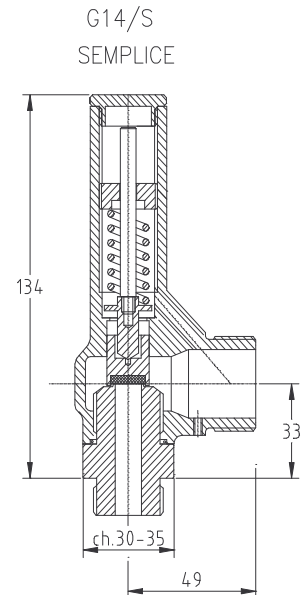
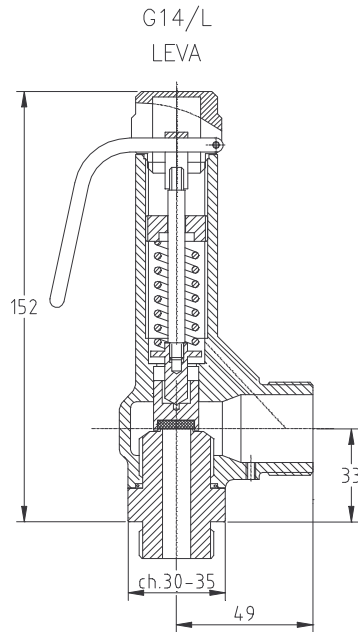
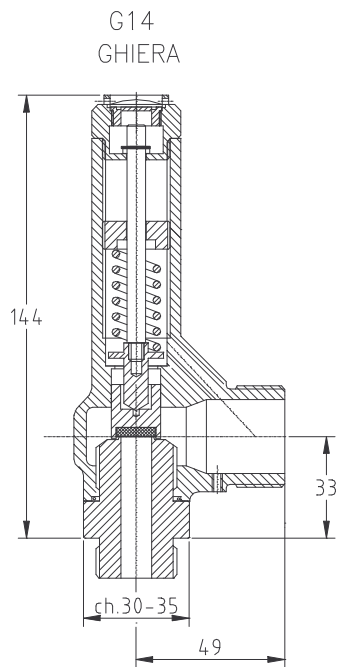


Omologazione <i>Homologation</i> Bestaetigt	CE IV[^] (ISPESL - TUV)	Sovrapressione <i>Overpressure</i> Über-unterdruck	10%
PN	40	Scarto in chiusura <i>Closing variation</i> Unterdruck	10%
k	0,72; ≥3bar 0,81		
Diametro orifizio <i>Opening diameter</i> Innen durchmesser	14	Campo di taratura bar <i>Setting rang</i> Eichungsbereich	0,5 – 30,0

VERSIONE <i>VERSION</i> AUSFUHRUNG	MATERIALI <i>MATERIALS</i> MATERIAL
Ottone <i>Brass</i> Messing	UNI EN 12164 CW614N (min -50°C / max +200°C)

CONNESSIONI STANDARD <i>STANDARD CONNECTIONS</i> STANDARDANSCHLUSSE	
In	Out
G.1/2" ISO 228	G. 1" ISO 228
G.3/4" ISO 228	G. 1" ISO 228

GUARNIZIONI <i>GASKET</i> DICHTUNG	
N.B.R. (Standard)	-10 / +100 °C
E.P.D.M.	-50 / +150 °C
VITON	-20 / +200 °C
SILICONE	-60 / +200 °C
TEFLON	-100 / +180 °C



Omologazione <i>Homologation</i> Bestaetigt	CE IV[^] (ISPESL - TUV)	Sovrapressione <i>Overpressure</i> Über-unterdruck	10%
PN	40	Scarto in chiusura <i>Closing variation</i> Unterdruck	10%
k	0,81; ≥ 3 bar 0,86	Campo di taratura bar <i>Setting rang</i> Eichungsbereich	0,5 – 30,0
Diametro orifizio <i>Opening diameter</i> Innen durchmesser	13,5		

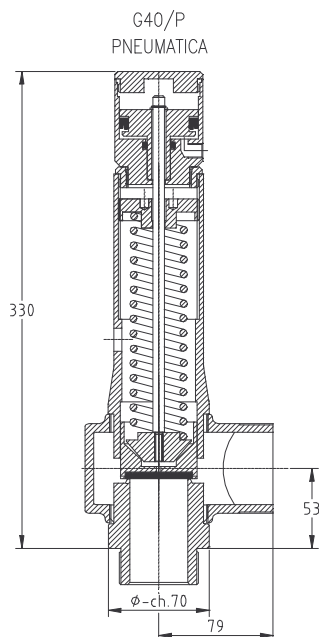
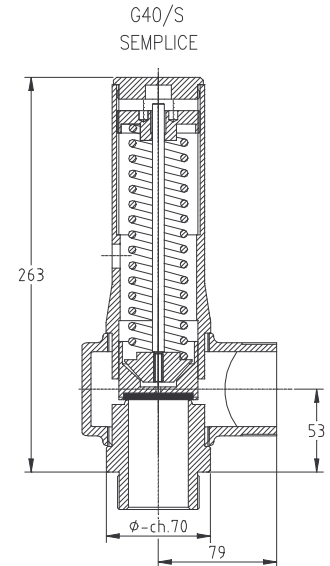
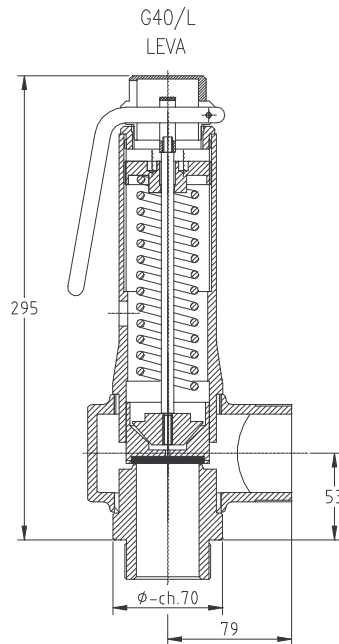
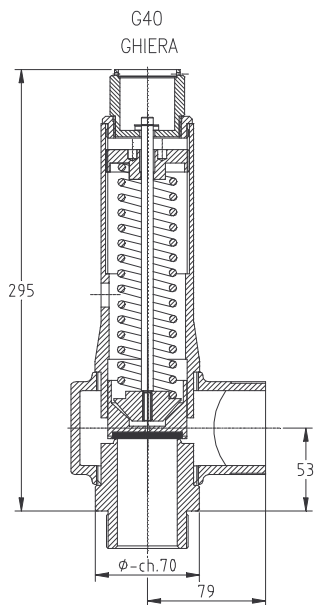
VERSIONE <i>VERSION</i> AUSFUHRUNG	MATERIALI <i>MATERIALS</i> MATERIAL
Ottone <i>Brass</i> Messing	UNI EN 12164 CW614N (min -50°C / max +200°C)
Ottone – Acciaio inox <i>Brass – Stainless steel</i> Messing - Stahl	UNI EN 12164 CW614N – UNI EN 10088 1.4401 (min -50°C / max +200°C)
Acciaio inox <i>Stainless steel</i> Stahl	UNI EN 10088 1.4401 (min -195°C / max +450°C)

CONNESSIONI STANDARD
STANDARD CONNECTIONS
STANDARDANSCHLUSSE

In	Out
G.1/2" ISO 228	G.1" ISO 228
G.3/4" ISO 228	G.1" ISO 228

GUARNIZIONI
GASKET
DICHTUNG

N.B.R. (Standard)	-10 / +100 °C
E.P.D.M.	-50 / +150 °C
VITON	-20 / +200 °C
SILICONE	-60 / +200 °C
TEFLON	-100 / +180 °C
METALLICA	-195 / +450 °C



Omologazione <i>Homologation</i> Bestaetigt	CE IV[^] (ISPESL - TUV)	Sovrapressione <i>Overpressure</i> Über-unterdruck	10%
PN	40	Scarto in chiusura <i>Closing variation</i> Unterdruck	10%
k	0,58; ≥3bar 0,64	Campo di taratura bar <i>Setting rang</i> Eichungsbereich	0,5 – 14,0
Diametro orifizio <i>Opening diameter</i> Innen durchmesser	40		

VERSIONE <i>VERSION</i> AUSFUHRUNG	MATERIALI <i>MATERIALS</i> MATERIAL
Ottone <i>Brass</i> Messing	UNI EN 12164 CW614N (min -50°C / max +200°C)
Ottone – Acciaio inox <i>Brass – Stainless steel</i> Messing - Stahl	UNI EN 12164 CW614N – UNI EN 10088 1.4401 (min -50°C / max +200°C)
Acciaio inox <i>Stainless steel</i> Stahl	UNI EN 10088 1.4401 (min -195°C / max +450°C)

CONNESSIONI STANDARD <i>STANDARD CONNECTIONS</i> STANDARDANSCHLUSSE	
In	Out
G.1"1/2 ISO 228	G.2"ISO 228
G. 2"ISO 228	G.2"ISO 228

GUARNIZIONI <i>GASKET</i> DICHTUNG	
N.B.R. (Standard)	-10 / +100 °C
E.P.D.M.	-50 / +150 °C
VITON	-20 / +200 °C
SILICONE	-60 / +200 °C
TEFLON	-100 / +180 °C
METALLICA	-195 / +450 °C

TABELLA DI PORTATA
TABLE OF DELIVERIES
LEISTUNGSTABELLE

Ps bar	Aria Air Luft	Vapore Saturo Saturated Steam Satter Dampf	Acqua Water Wasserdampf
	kg/h (0°C)	kg/h	kg/h (4°C)
1	1375	851	22952
2	2170	1340	32460
3	3044	1849	39755
4	3823	2310	45905
5	4602	2766	51323
6	5381	3200	56222
7	6159	3663	60726
8	6938	4105	64919
9	7717	4566	68857
10	8496	5000	72582
11	9275	5459	76124
12	10053	5887	79509
13	10832	6343	82756
14	11611	6799	85880
15			
16			
17			
18			
19			
20			
21			
22			
23			
24			
25			
26			
27			
28			
29			
30			

CONNESSIONI SPECIALI
SPECIAL CONNECTIONS
SPEZIELLEN ANSCHLUESSEN

In Out

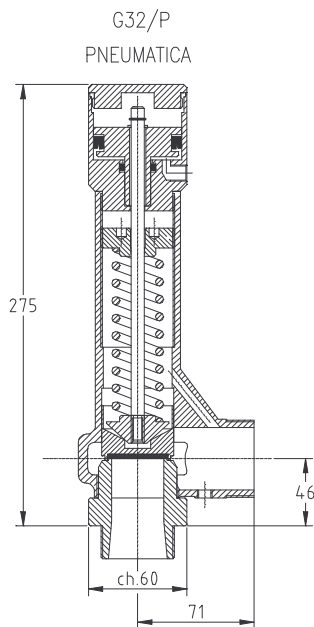
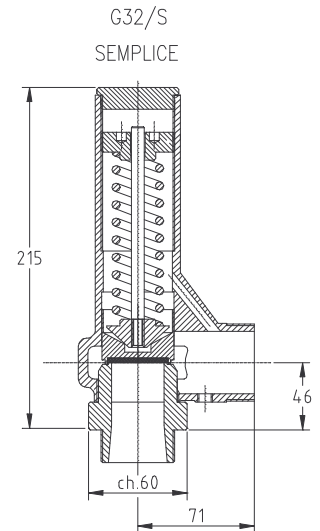
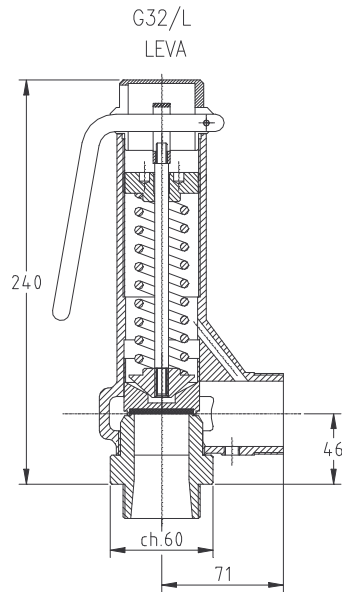
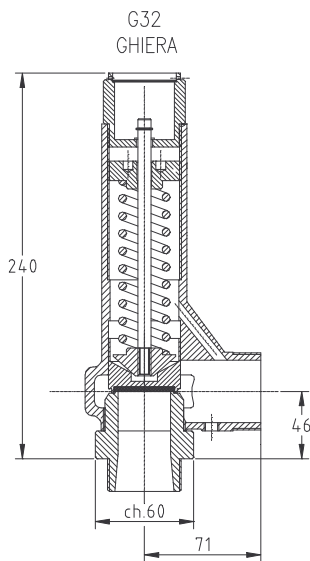
R.1"1/2 ISO 7		N.D.
R.2" ISO 7		N.D.
1"1/2 NPT		N.D.
2" NPT		N.D.
1"1/2 TRI CLAMP		N.D.
2" TRI CLAMP		
DN40 DIN 405 – DIN 11851		
DN50 DIN 405 – DIN 11851		
DN40 PN16 / 40 UNI 1"1/2 ANSI 150 / 300		N.D.
DN50 PN16 / 40 UNI 2" ANSI 150 / 300		
DN65 PN16 / 40 UNI 2"1/2 ANSI 150 / 300		

A richiesta possono essere eseguiti collaudi dai più prestigiosi enti quali: ISPEL, TÜV, RINA, Bureau Veritas, ABS e Lloyd Register.

On request tests can be made by the most prestigious societies, such as: ISPELS, TÜV, RINA, Bureau Veritas, ABS and Lloyd Register.

Auf Wunsch kann man Betriebe wie ISPEL, TÜV, RINA, Bureau Veritas, ABS und Lloyd Register eine Abnahmebescheinigung fragen.

Note:



Omologazione <i>Homologation</i> Bestaetigt	CE IV[^] (ISPESL - TUV)	Sovrapressione <i>Overpressure</i> Über-unterdruck	10%
PN	40	Scarto in chiusura <i>Closing variation</i> Unterdruck	15%
k	0,51	Campo di taratura bar <i>Setting rang</i> Eichungsbereich	0,5 – 12,2
Diametro orificio <i>Opening diameter</i> Innen durchmesser	32		

VERSIONE <i>VERSION</i> AUSFUHRUNG	MATERIALI <i>MATERIALS</i> MATERIAL
Ottone <i>Brass</i> Messing	UNI EN 12164 CW614N (min -50°C / max +200°C)
Ottone – Acciaio inox <i>Brass – Stainless steel</i> Messing - Stahl	UNI EN 12164 CW614N – UNI EN 10088 1.4401 (min -50°C / max +200°C)
Acciaio inox <i>Stainless steel</i> Stahl	UNI EN 10088 1.4401 (min -195°C / max +450°C)

CONNESSIONI STANDARD <i>STANDARD CONNECTIONS</i> STANDARDANSCHLUSSE	
In	Out
G.1"1/2 ISO 228	G.1"1/2 ISO 228

GUARNIZIONI <i>GASKET</i> DICHTUNG	
N.B.R. (Standard)	-10 / +100 °C
E.P.D.M.	-50 / +150 °C
VITON	-20 / +200 °C
SILICONE	-60 / +200 °C
TEFLON	-100 / +180 °C
METALLICA	-195 / +450 °C

TABELLA DI PORTATA
TABEL OF DELIVERIES
LEISTUNGSTABELLE

Ps bar	Aria Air Luft	Vapore Saturo Satured Steam Satter Dampf	Acqua Water Wasserdampf
	kg/h (0°C)	kg/h	kg/h (4°C)
1	758	469	14682
2	1155	713	20763
3	1552	943	25430
4	1949	1177	29364
5	2346	1410	32829
6	2743	1631	35963
7	3140	1867	38844
8	3537	2092	41526
9	3934	2327	44045
10	4331	2549	46428
11	4728	2782	48694
12	5124	3001	50859
13			
14			
15			
16			
17			
18			
19			
20			
21			
22			
23			
24			
25			
26			
27			
28			
29			
30			

CONNESSIONI SPECIALI
SPECIAL CONNECTIONS
SPEZIELLEN ANSCHLUESSEN

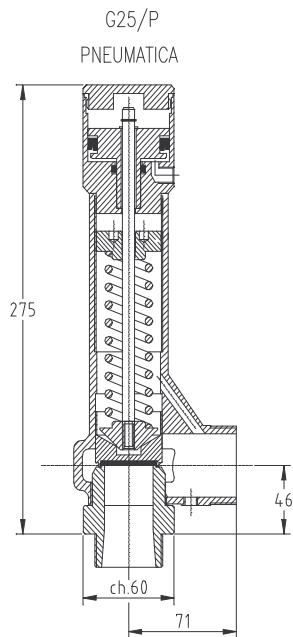
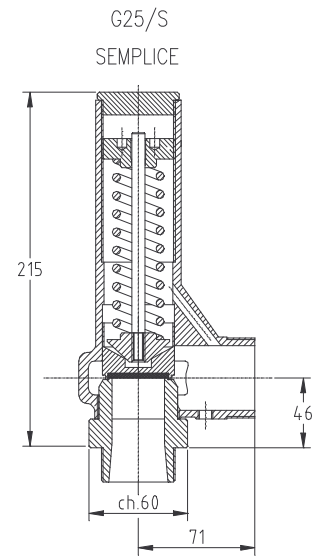
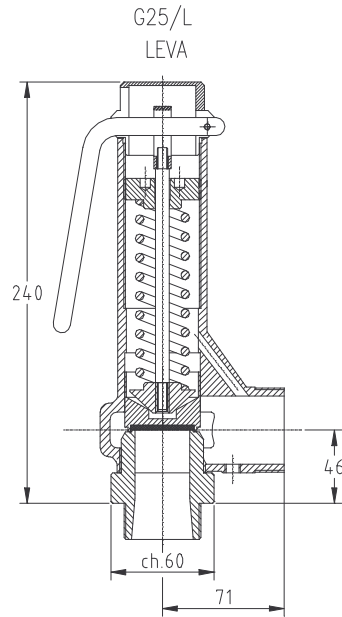
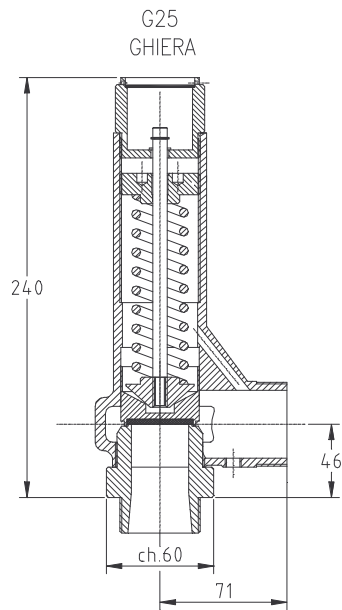
	In	Out
G.2" ISO 228		N.D.
R.1"1/2 ISO 7		N.D.
R.2" ISO 7		N.D.
1"1/2 NPT		N.D.
2" NPT		N.D.
1"1/2 TRI CLAMP		
2" TRI CLAMP		
DN32 DIN 405 – DIN 11851		N.D.
DN40 DIN 405 – DIN 11851		
DN50 DIN 405 – DIN 11851		
DN40 PN16 / 40 UNI 1"1/2 ANSI 150 / 300		N.D.
DN50 PN16 / 40 UNI 2" ANSI 150 / 300		
DN65 PN16 / 40 UNI 2"1/2 ANSI 150 / 300	N.D.	

A richiesta possono essere eseguiti collaudi dai più prestigiosi enti quali: ISPESL, TÜV, RINA, Bureau Veritas, ABS e Lloyd Register.

On request tests can be made by the most prestigious societies, such as: ISPESL, TÜV, RINA, Bureau Veritas, ABS and Lloyd Register.

Auf Wunsch kann man Betriebe wie ISPESL, TÜV, RINA, Bureau Veritas, ABS und Lloyd Register eine Abnahmebescheinigung fragen.

Note:



Omologazione <i>Homologation</i> Bestaetigt	CE IV[^] (ISPESL - TUV)	Sovrapressione <i>Overpressure</i> Über-untterdruck	10%
PN	40	Scarto in chiusura <i>Closing variation</i> Unterdruck	15%
k	0,78	Campo di taratura bar <i>Setting rang</i> Eichungsbereich	0,5 – 20,0
Diametro orifizio <i>Opening diameter</i> Innen durchmesser	25		

VERSIONE <i>VERSION</i> AUSFUHRUNG	MATERIALI <i>MATERIALS</i> MATERIAL
Ottone <i>Brass</i> Messing	UNI EN 12164 CW614N (min -50°C / max +200°C)
Ottone – Acciaio inox <i>Brass – Stainless steel</i> Messing - Stahl	UNI EN 12164 CW614N – UNI EN 10088 1.4401 (min -50°C / max +200°C)
Acciaio inox <i>Stainless steel</i> Stahl	UNI EN 10088 1.4401 (min -195°C / max +450°C)

CONNESSIONI STANDARD
STANDARD CONNECTIONS
STANDARDANSCHLUSSE

In	Out
G.1"1/4 ISO 228	G.1"1/2 ISO 228
G.1"1/2 ISO 228	G.1"1/2 ISO 228

GUARNIZIONI
GASKET
DICHTUNG

N.B.R. (Standard)	-10 / +100 °C
E.P.D.M.	-50 / +150 °C
VITON	-20 / +200 °C
SILICONE	-60 / +200 °C
TEFLON	-100 / +180 °C
METALLICA	-195 / +450 °C

TABELLA DI PORTATA
TABEL OF DELIVERIES
LEISTUNGSTABELLE

Ps bar	Aria Air Luft	Vapore Saturo Saturated Steam Satter Dampf	Acqua Water Wasserdampf
	kg/h (0°C)	kg/h	kg/h (4°C)
1	707	438	8961
2	1078	666	12673
3	1449	880	15521
4	1819	1099	17922
5	2190	1316	20037
6	2560	1523	21950
7	2931	1743	23709
8	3301	1953	25346
9	3672	2172	26883
10	4042	2379	28337
11	4413	2597	29720
12	4784	2801	31042
13	5154	3018	32309
14	5525	3235	33529
15	5895	3443	34706
16	6266	3659	35844
17	6636	3866	36947
18	7007	4082	38018
19	7377	4287	39060
20	7748	4502	40075
21			
22			
23			
24			
25			
26			
27			
28			
29			
30			

CONNESSIONI SPECIALI
SPECIAL CONNECTIONS
SPEZIELLEN ANSCHLUESSEN

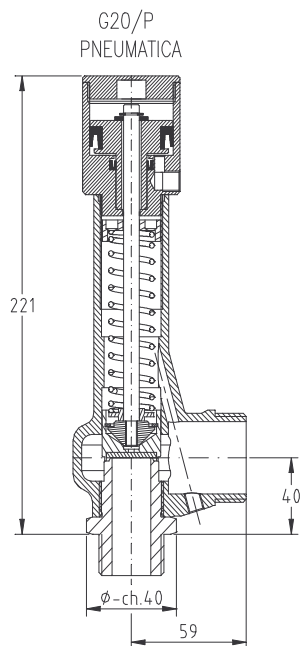
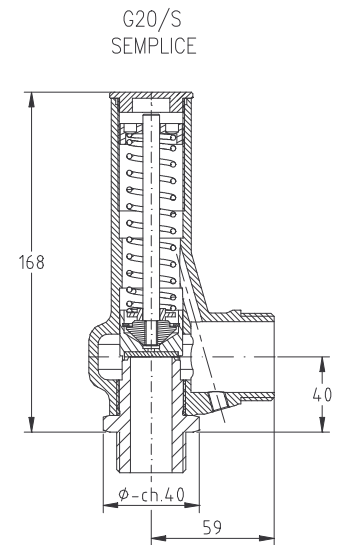
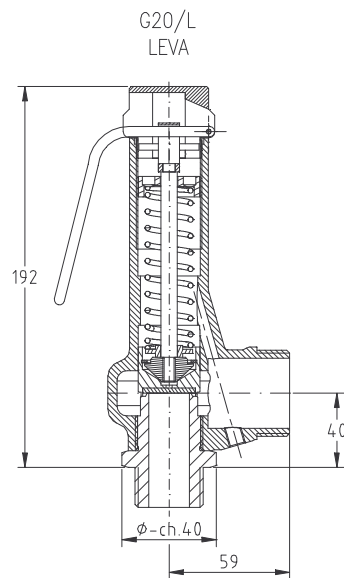
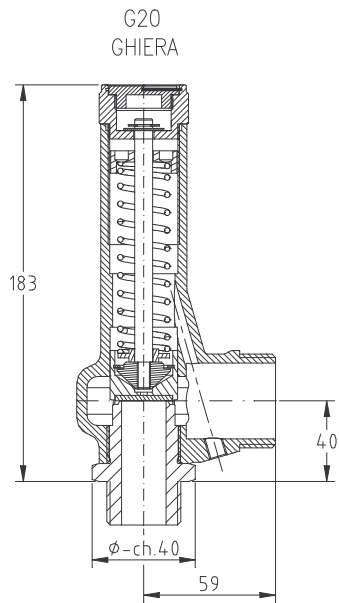
	In	Out
R.1"1/4 ISO 7		N.D.
R.1"1/2 ISO 7		N.D.
1"1/4 NPT		N.D.
1"1/2" NPT		N.D.
1"1/2 TRI CLAMP		
DN25 DIN 405 – DIN 11851		N.D.
DN32 DIN 405 – DIN 11851		
DN40 DIN 405 – DIN 11851		
DN32 PN16 / 40 UNI 1"1/4 ANSI 150 / 300		N.D.
DN40 PN16 / 40 UNI 1"1/2 ANSI 150 / 300		
DN50 PN16 / 40 UNI 2" ANSI 150 / 300		

A richiesta possono essere eseguiti collaudi dai più prestigiosi enti quali: ISPESL, TÜV, RINA, Bureau Veritas, ABS e Lloyd Register.

On request tests can be made by the most prestigious societies, such as: ISPELS, TÜV, RINA, Bureau Veritas, ABS and Lloyd Register.

Auf Wunsch kann man Betriebe wie ISPESL, TÜV, RINA, Bureau Veritas, ABS und Lloyd Register eine Abnahmebescheinigung fragen.

Note:



Omologazione <i>Homologation</i> Bestaetigt	CE IV[^] (ISPEL - TUV)	Sovrapressione <i>Overpressure</i> Über-unterdruck	10%
PN	40	Scarto in chiusura <i>Closing variation</i> Unterdruck	15%
k	0,91	Campo di taratura bar <i>Setting rang</i> Eichungsbereich	0,5 – 30,0
Diametro orifizio <i>Opening diameter</i> Innen durchmesser	20		

VERSIONE <i>VERSION</i> AUSFUHRUNG	MATERIALI <i>MATERIALS</i> MATERIAL
Ottone <i>Brass</i> Messing	UNI EN 12164 CW614N (min -50°C / max +200°C)
Ottone – Acciaio inox <i>Brass – Stainless steel</i> Messing - Stahl	UNI EN 12164 CW614N – UNI EN 10088 1.4401 (min -50°C / max +200°C)
Acciaio inox <i>Stainless steel</i> Stahl	UNI EN 10088 1.4401 (min -195°C / max +450°C)

CONNESSIONI STANDARD
STANDARD CONNECTIONS
STANDARDANSCHLUSSE

In	Out
G.1" ISO 228	G.1"1/4 ISO 228
G.1"1/4 ISO 228	G.1"1/4 ISO 228

GUARNIZIONI
GASKET
DICHTUNG

N.B.R. (Standard)	-10 / +100 °C
E.P.D.M.	-50 / +150 °C
VITON	-20 / +200 °C
SILICONE	-60 / +200 °C
TEFLON	-100 / +180 °C
METALLICA	-195 / +450 °C

TABELLA DI PORTATA
TABEL OF DELIVERIES
LEISTUNGSTABELLE

Ps bar	Aria Air Luft	Vapore Saturo Saturated Steam Satter Dampf	Acqua Water Wasserdampf
	kg/h (0°C)	kg/h	kg/h (4°C)
1	528	327	5735
2	805	497	8111
3	1082	657	9934
4	1358	821	11471
5	1635	983	12825
6	1912	1137	14049
7	2188	1302	15174
8	2465	1458	16222
9	2742	1622	17206
10	3019	1777	18137
11	3295	1939	19022
12	3572	2091	19868
13	3849	2254	20679
14	4125	2416	21460
15	4402	2571	22213
16	4679	2733	22941
17	4955	2887	23647
18	5232	3048	24333
19	5509	3201	25000
20	5786	3362	25649
21	6062	3513	26283
22	6339	3674	26901
23	6616	3824	27506
24	6892	3974	28097
25	7169	4134	28677
26	7446	4293	29245
27	7722	4453	29802
28	7999	4612	30349
29	8276	4772	30886
30	8552	4932	31414

CONNESSIONI SPECIALI
SPECIAL CONNECTIONS
SPEZIELLEN ANSCHLUESSEN

	In	Out
R.1" ISO 7		N.D.
R.1"1/4 ISO 7		N.D.
1" NPT		N.D.
1"1/4 NPT		N.D.
1"1/2 TRI CLAMP		
DN25 DIN 405 – DIN 11851		
DN32 DIN 405 – DIN 11851		
DN40 DIN 405 – DIN 11851		
DN25 PN16 / 40 UNI 1" ANSI 150 / 300		N.D.
DN32 PN16 / 40 UNI 1"1/4 ANSI 150 / 300		
DN40 PN16 / 40 UNI 1"1/2 ANSI 150 / 300		

A richiesta possono essere eseguiti collaudi dai più prestigiosi enti quali: ISPEL, TÜV, RINA, Bureau Veritas, ABS e Lloyd Register.

On request tests can be made by the most prestigious societies, such as: ISPELS, TÜV, RINA, Bureau Veritas, ABS and Lloyd Register.

Auf Wunsch kann man Betriebe wie ISPEL, TÜV, RINA, Bureau Veritas, ABS und Lloyd Register eine Abnahmebescheinigung fragen.

Note:

TABELLA DI PORTATA
TABEL OF DELIVERIES
LEISTUNGSTABELLE

Ps bar	Aria Air Luft	Vapore Saturo Satured Steam Satter Dampf	Acqua Water Wasserdampf
	kg/h (0°C)	kg/h	kg/h (4°C)
1	528	327	5735
2	805	497	8111
3	1082	657	9934
4	1358	821	11471
5	1635	983	12825
6	1912	1137	14049
7	2188	1302	15174
8	2465	1458	16222
9	2742	1622	17206
10	3019	1777	18137
11	3295	1939	19022
12	3572	2091	19868
13	3849	2254	20679
14	4125	2416	21460
15	4402	2571	22213
16	4679	2733	22941
17	4955	2887	23647
18	5232	3048	24333
19	5509	3201	25000
20	5786	3362	25649
21	6062	3513	26283
22	6339	3674	26901
23	6616	3824	27506
24	6892	3974	28097
25	7169	4134	28677
26	7446	4293	29245
27	7722	4453	29802
28	7999	4612	30349
29	8276	4772	30886
30	8552	4932	31414

CONNESSIONI SPECIALI
SPECIAL CONNECTIONS
SPEZIELLEN ANSCHLUESSEN

	In	Out
R.1" ISO 7		N.D.
R.1"1/4 ISO 7		N.D.
1" NPT		N.D.
1"1/4 NPT		N.D.
1"1/2 TRI CLAMP		
DN25 DIN 405 – DIN 11851		
DN32 DIN 405 – DIN 11851		
DN40 DIN 405 – DIN 11851		
DN25 PN16 / 40 UNI		N.D.
1" ANSI 150 / 300		
DN32 PN16 / 40 UNI		
1"1/4 ANSI 150 / 300		
DN40 PN16 / 40 UNI		
1"1/2 ANSI 150 / 300		

A richiesta possono essere eseguiti collaudi dai più prestigiosi enti quali: ISPESL, TÜV, RINA, Bureau Veritas, ABS e Lloyd Register.

On request tests can be made by the most prestigious societies, such as: ISPELS, TÜV, RINA, Bureau Veritas, ABS and Lloyd Register.

Auf Wunsch kann man Betriebe wie ISPESL, TÜV, RINA, Bureau Veritas, ABS und Lloyd Register eine Abnahmebescheinigung fragen.

Note:

TABELLA DI PORTATA
TABLE OF DELIVERIES
LEISTUNGSTABELLE

Ps bar	Aria Air Luft	Vapore Saturo Saturated Steam Satter Dampf	Acqua Water Wasserdampf
	kg/h (0°C)	kg/h	kg/h (4°C)
1	214	133	2612
2	338	209	3694
3	466	283	4524
4	585	353	5224
5	704	423	5841
6	823	489	6398
7	942	560	6911
8	1061	628	7388
9	1180	698	7836
10	1299	765	8260
11	1418	835	8663
12	1537	900	9048
13	1656	970	9418
14	1776	1040	9773
15	1895	1107	10116
16	2014	1176	10448
17	2133	1242	10769
18	2252	1312	11082
19	2371	1378	11385
20	2490	1447	11681
21	2609	1512	11970
22	2728	1581	12251
23	2847	1646	12527
24	2966	1710	12796
25	3085	1779	13060
26	3205	1848	13318
27	3324	1916	13572
28	3443	1985	13821
29	3562	2054	14066
30	3681	2122	14306

CONNESSIONI SPECIALI
SPECIAL CONNECTIONS
SPEZIELLEN ANSCHLUESSEN

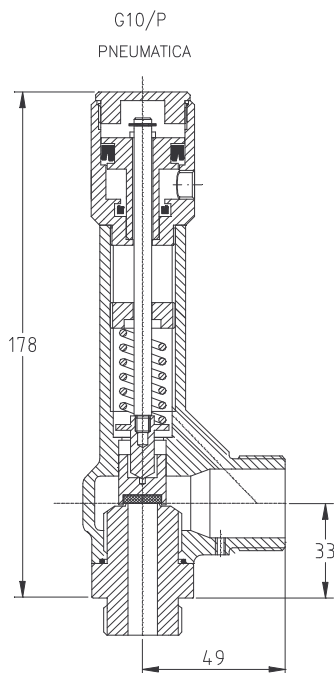
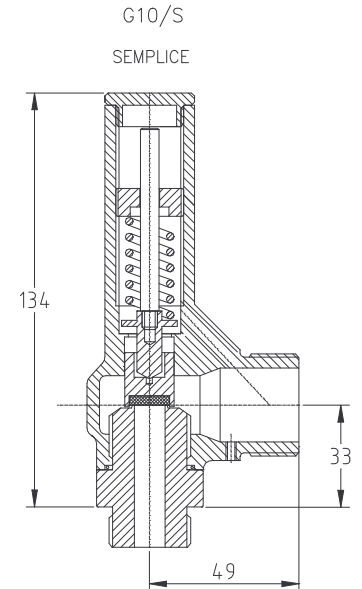
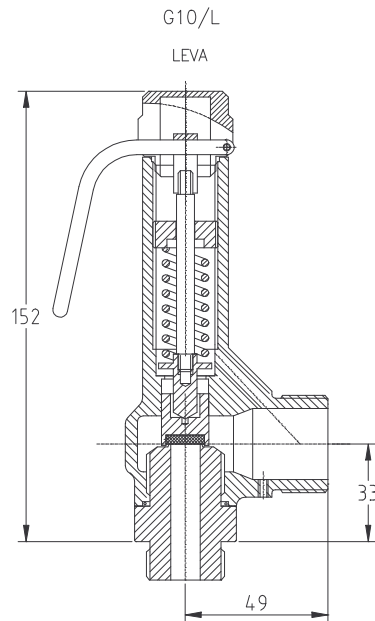
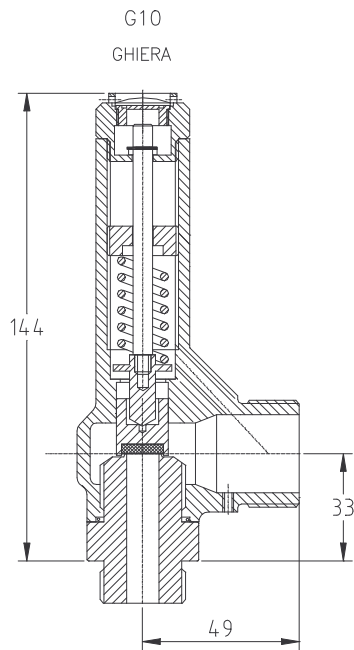
	In	Out
G.1" ISO 228		
R.1/2" ISO 7		N.D.
R.3/4" ISO 7		N.D.
R.1" ISO 7		N.D.
1/2" NPT		N.D.
3/4" NPT		N.D.
1" NPT		N.D.
1" TRI CLAMP		
1"1/2 TRI CLAMP		
DN25 DIN 405 – DIN 11851		
DN32 DIN 405 – DIN 11851		N.D.
DN15 PN16 / 40 UNI 1/2" ANSI 150 / 300		N.D.
DN20 PN16 / 40 UNI 3/4" ANSI 150 / 300		N.D.
DN25 PN16 / 40 UNI 1" ANSI 150 / 300		

A richiesta possono essere eseguiti collaudi dai più prestigiosi enti quali: ISPEL, TÜV, RINA, Bureau Veritas, ABS e Lloyd Register.

On request tests can be made by the most prestigious societies, such as: ISPELS, TÜV, RINA, Bureau Veritas, ABS and Lloyd Register.

Auf Wunsch kann man Betriebe wie ISPEL, TÜV, RINA, Bureau Veritas, ABS und Lloyd Register eine Abnahmebescheinigung fragen.

Note:



Omologazione <i>Homologation</i> Bestaetigt	CE IV[^] (ISPESL - TUV)	Sovrapressione <i>Overpressure</i> Uber-unterdruck	10%
PN	40	Scarto in chiusura <i>Closing variation</i> Unterdruck	10%
k	0,75; ≥ 3 bar 0,77	Campo di taratura bar <i>Setting rang</i> Eichungsbereich	0,5 – 25,0
Diametro orifizio <i>Opening diameter</i> Innen durchmesser	10		

VERSIONE <i>VERSION</i> AUSFUHRUNG	MATERIALI <i>MATERIALS</i> MATERIAL
Ottone <i>Brass</i> Messing	UNI EN 12164 CW614N (min -50°C / max +200°C)
Ottone – Acciaio inox <i>Brass – Stainless steel</i> Messing - Stahl	UNI EN 12164 CW614N – UNI EN 10088 1.4401 (min -50°C / max +200°C)
Acciaio inox <i>Stainless steel</i> Stahl	UNI EN 10088 1.4401 (min -195°C / max +450°C)

CONNESSIONI STANDARD
STANDARD CONNECTIONS
STANDARDANSCHLUSSE

In	Out
G.1/2" ISO 228	G.1" ISO 228
G.3/4" ISO 228	G.1" ISO 228

GUARNIZIONI
GASKET
DICHTUNG

N.B.R. (Standard)	-10 / +100 °C
E.P.D.M.	-50 / +150 °C
VITON	-20 / +200 °C
SILICONE	-60 / +200 °C
TEFLON	-100 / +180 °C
METALLICA	-195 / +450 °C

TABELLA DI PORTATA
TABEL OF DELIVERIES
LEISTUNGSTABELLE

Ps bar	Aria Air Luft	Vapore Saturo Saturated Steam Satter Dampf	Acqua Water Wasserdampf
	kg/h (0°C)	kg/h	kg/h (4°C)
1	109	67	1434
2	168	104	2028
3	229	139	2483
4	287	174	2868
5	346	208	3206
6	404	241	3512
7	463	275	3794
8	521	309	4056
9	580	343	4302
10	639	376	4534
11	697	410	4756
12	756	442	4967
13	814	477	5170
14	873	511	5365
15	931	544	5553
16	990	578	5735
17	1048	611	5912
18	1107	645	6083
19	1165	677	6250
20	1224	711	6412
21	1282	743	6571
22	1341	777	6725
23	1399	809	6876
24	1458	841	7024
25	1517	874	7169
26			
27			
28			
29			
30			

CONNESSIONI SPECIALI
SPECIAL CONNECTIONS
SPEZIELLEN ANSCHLUESSEN

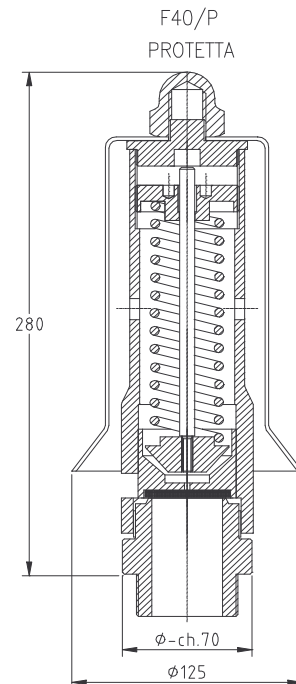
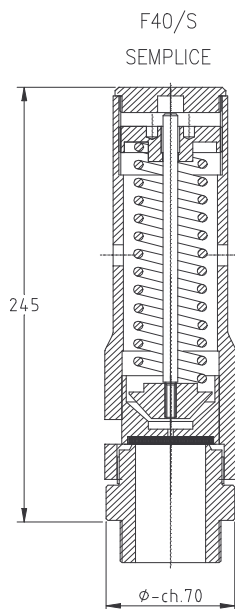
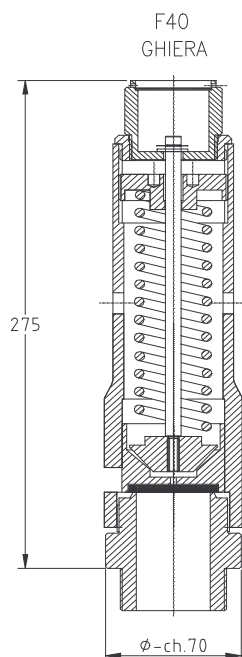
	In	Out
G.3/8" ISO 228		N.D.
G.1" ISO 228		
R.3/8" ISO 7		N.D.
R.1/2" ISO 7		N.D.
R.3/4" ISO 7		N.D.
R.1" ISO 7		N.D.
3/8" NPT		N.D.
1/2" NPT		N.D.
3/4" NPT		N.D.
1" NPT		N.D.
1" TRI CLAMP		
1"1/2 TRI CLAMP		
DN25 DIN 405 – DIN 11851		
DN15 PN16 / 40 UNI 1/2" ANSI 150 / 300		N.D.
DN20 PN16 / 40 UNI 3/4" ANSI 150 / 300		N.D.
DN25 PN16 / 40 UNI 1" ANSI 150 / 300		

A richiesta possono essere eseguiti collaudi dai più prestigiosi enti quali: ISPESL, TÜV, RINA, Bureau Veritas, ABS e Lloyd Register.

On request tests can be made by the most prestigious societies, such as: ISPELS, TÜV, RINA, Bureau Veritas, ABS and Lloyd Register.

Auf Wunsch kann man Betriebe wie ISPESL, TÜV, RINA, Bureau Veritas, ABS und Lloyd Register eine Abnahmebescheinigung fragen.

Note:



Omologazione <i>Homologation</i> Bestaetigt	CE IV[^] (ISPESL - TUV)	Sovrapressione <i>Overpressure</i> Über-unterdruck	10%
PN	40	Scarto in chiusura <i>Closing variation</i> Unterdruck	10%
k	0,59; ≥ 3 bar 0,69	Campo di taratura bar <i>Setting rang</i> Eichungsbereich	0,5 – 30,0
Diametro orifizio <i>Opening diameter</i> Innen durchmesser	40		

VERSIONE <i>VERSION</i> AUSFUHRUNG	MATERIALI <i>MATERIALS</i> MATERIAL
Ottone <i>Brass</i> Messing	UNI EN 12164 CW614N (min -50°C / max +200°C)
Ottone – Acciaio inox <i>Brass – Stainless steel</i> Messing - Stahl	UNI EN 12164 CW614N – UNI EN 10088 1.4401 (min -50°C / max +200°C)
Acciaio inox <i>Stainless steel</i> Stahl	UNI EN 10088 1.4401 (min -195°C / max +450°C)

CONNESSIONI STANDARD
STANDARD CONNECTIONS
STANDARDANSCHLUSSE

In	Out
G. 1/2" ISO 228	/
G. 2" ISO 228	/

GUARNIZIONI
GASKET
DICHTUNG

N.B.R. (Standard)	-10 / +100 °C
E.P.D.M.	-50 / +150 °C
VITON	-20 / +200 °C
SILICONE	-60 / +200 °C
TEFLON	-100 / +180 °C
METALLICA	-195 / +450 °C

TABELLA DI PORTATA
TABEL OF DELIVERIES
LEISTUNGSTABELLE

Ps bar	Aria Air Luft	Aria Air Luft	Aria Air Luft
	kg/h (0°C)	mc/h (0°C)	l/min (0°C)
1	1417	1096	18269
2	2301	1780	29663
3	3282	2539	42313
4	4122	3188	53137
5	4961	3838	63962
6	5801	4487	74786
7	6641	5137	85610
8	7480	5786	96434
9	8320	6436	107259
10	9159	7085	118083
11	9999	7734	128907
12	10839	8384	139732
13	11678	9033	150556
14	12518	9683	161380
15	13358	10332	172204
16	14197	10982	183029
17	15037	11631	193853
18	15876	12281	204677
19	16716	12930	215502
20	17556	13580	226326
21	18395	14229	237150
22	19235	14878	247974
23	20074	15528	258799
24	20914	16177	269623
25	21754	16827	280447
26	22593	17476	291271
27	23433	18126	302096
28	24273	18775	312920
29	25112	19425	323744
30	25952	20074	334569

CONNESSIONI SPECIALI
SPECIAL CONNECTIONS
SPEZIELLEN ANSCHLUESSEN

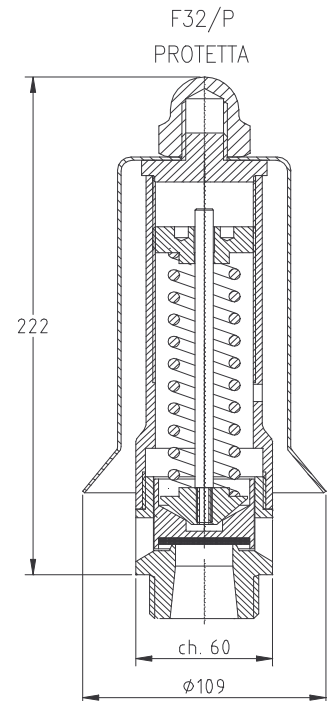
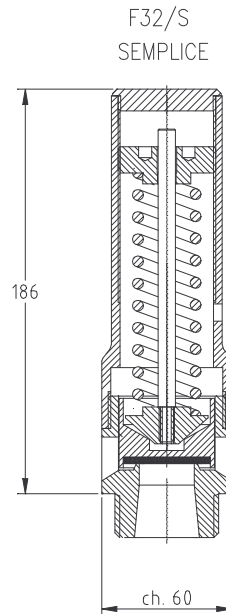
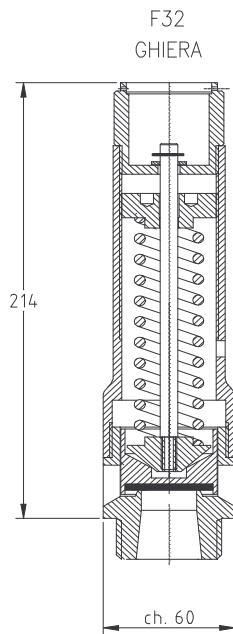
	In	Out
R.1"1/2 ISO 7		N.D.
R.2" ISO 7		N.D.
1"1/2 NPT		N.D.
2" NPT		N.D.
1"1/2 TRI CLAMP		N.D.
2" TRI CLAMP		N.D.
DN40 DIN 405 – DIN 11851		N.D.
DN50 DIN 405 – DIN 11851		N.D.
DN40 PN16 / 40 UNI		N.D.
1"1/2 ANSI 150 / 300		N.D.
DN50 PN16 / 40 UNI		N.D.
2" ANSI 150 / 300		N.D.
DN65 PN16 / 40 UNI		N.D.
2"1/2 ANSI 150 / 300		N.D.

A richiesta possono essere eseguiti collaudi dai più prestigiosi enti quali: ISPEL, TÜV, RINA, Bureau Veritas, ABS e Lloyd Register.

On request tests can be made by the most prestigious societies, such as: ISPELS, TÜV, RINA, Bureau Veritas, ABS and Lloyd Register.

Auf Wunsch kann man Betriebe wie ISPEL, TÜV, RINA, Bureau Veritas, ABS und Lloyd Register eine Abnahmebescheinigung fragen.

Note:



Omologazione <i>Homologation</i> Bestaetigt	CE IV[^] (ISPESL - TUV)	Sovrapressione <i>Overpressure</i> Über-unterdruck	10%
PN	40	Scarto in chiusura <i>Closing variation</i> Unterdruck	10%
k	0,67; ≥3bar 0,69		
Diametro orifizio <i>Opening diameter</i> Innen durchmesser	32	Campo di taratura bar <i>Setting rang</i> Eichungsbereich	0,5 - 30,0

VERSIONE <i>VERSION</i> AUSFUHRUNG	MATERIALI <i>MATERIALS</i> MATERIAL
Ottone <i>Brass</i> Messing	UNI EN 12164 CW614N (min -50°C / max +200°C)
Ottone - Acciaio inox <i>Brass - Stainless steel</i> Messing - Stahl	UNI EN 12164 CW614N - UNI EN 10088 1.4401 (min -50°C / max +200°C)
Acciaio inox <i>Stainless steel</i> Stahl	UNI EN 10088 1.4401 (min -195°C / max +450°C)

CONNESSIONI STANDARD
STANDARD CONNECTIONS
STANDARDANSCHLUSSE

In	Out
G.1"1/2 ISO 228	/

GUARNIZIONI
GASKET
DICHTUNG

N.B.R. (Standard)	-10 / +100 °C
E.P.D.M.	-50 / +150 °C
VITON	-20 / +200 °C
SILICONE	-60 / +200 °C
TEFLON	-100 / +180 °C
METALLICA	-195 / +450 °C

TABELLA DI PORTATA
TABLE OF DELIVERIES
LEISTUNGSTABELLE

Ps bar	Aria Air Luft	Aria Air Luft	Aria Air Luft
	kg/h (0°C)	mc/h (0°C)	l/min (0°C)
1	996	770	12835
2	1540	1191	19850
3	2099	1624	27066
4	2637	2039	33990
5	3174	2455	40914
6	3711	2870	47838
7	4248	3286	54762
8	4785	3701	61686
9	5322	4117	68609
10	5859	4532	75533
11	6396	4947	82457
12	6933	5363	89381
13			
14			
15			
16			
17			
18			
19			
20			
21			
22			
23			
24			
25			
26			
27			
28			
29			
30			

CONNESSIONI SPECIALI
SPECIAL CONNECTIONS
SPEZIELLEN ANSCHLUESSEN

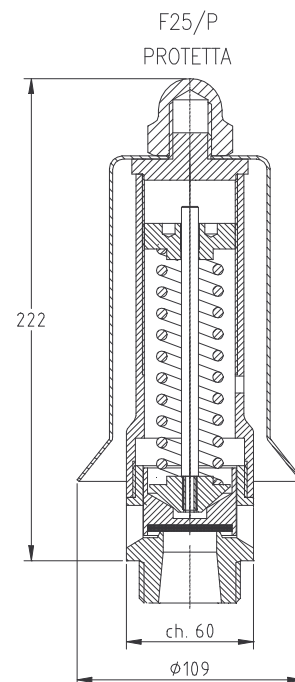
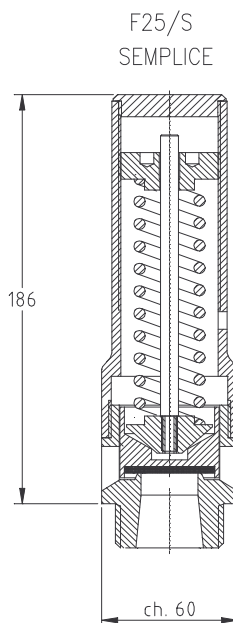
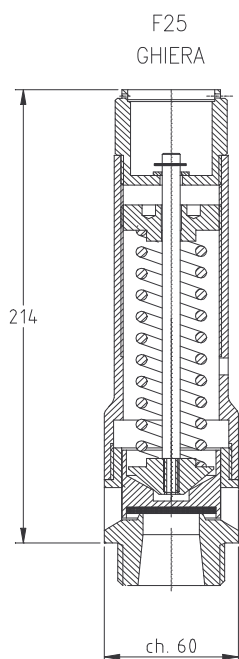
	In	Out
R.1”1/2 ISO 7		N.D.
1”1/2 NPT		N.D.
1”1/2 TRI CLAMP		N.D.
2” TRI CLAMP		N.D.
DN32 DIN 405 – DIN 11851		N.D.
DN40 DIN 405 – DIN 11851		N.D.
DN40 PN16 / 40 UNI		
1”1/2 ANSI 150 / 300		N.D.

A richiesta possono essere eseguiti collaudi dai più prestigiosi enti quali: ISPESL, TÜV, RINA, Bureau Veritas, ABS e Lloyd Register.

On request tests can be made by the most prestigious societies, such as: ISPESL, TÜV, RINA, Bureau Veritas, ABS and Lloyd Register.

Auf Wunsch kann man Betriebe wie ISPESL, TÜV, RINA, Bureau Veritas, ABS und Lloyd Register eine Abnahmebescheinigung fragen.

Note:



Omologazione <i>Homologation</i> Bestaetigt	CE IV[^] (ISPESL - TUV)	Sovrapressione <i>Overpressure</i> Über-unterdruck	10%
PN	40	Scarto in chiusura <i>Closing variation</i> Unterdruck	10%
k	0,69; ≥ 3 bar 0,8	Campo di taratura bar <i>Setting rang</i> Eichungsbereich	0,5 – 30,0
Diametro orifizio <i>Opening diameter</i> Innen durchmesser	25		

VERSIONE <i>VERSION</i> AUSFUHRUNG	MATERIALI <i>MATERIALS</i> MATERIAL
Ottone <i>Brass</i> Messing	UNI EN 12164 CW614N (min -50°C / max +200°C)
Ottone – Acciaio inox <i>Brass – Stainless steel</i> Messing - Stahl	UNI EN 12164 CW614N – UNI EN 10088 1.4401 (min -50°C / max +200°C)
Acciaio inox <i>Stainless steel</i> Stahl	UNI EN 10088 1.4401 (min -195°C / max +450°C)

CONNESSIONI STANDARD
STANDARD CONNECTIONS
STANDARDANSCHLUSSE

In	Out
G.1"1/4 ISO 228	/
G.1"1/2 ISO 228	/

GUARNIZIONI
GASKET
DICHTUNG

N.B.R. (Standard)	-10 / +100 °C
E.P.D.M.	-50 / +150 °C
VITON	-20 / +200 °C
SILICONE	-60 / +200 °C
TEFLON	-100 / +180 °C
METALLICA	-195 / +450 °C

TABELLA DI PORTATA
TABEL OF DELIVERIES
LEISTUNGSTABELLE

Ps bar	Aria Air Luft	Aria Air Luft	Aria Air Luft
	kg/h (0°C)	mc/h (0°C)	l/min (0°C)
1	646	500	8325
2	1045	808	13470
3	1486	1149	19153
4	1866	1443	24053
5	2246	1737	28953
6	2626	2031	33853
7	3006	2325	38752
8	3386	2619	43652
9	3766	2913	48552
10	4146	3207	53451
11	4526	3501	58351
12	4906	3795	63251
13	5286	4089	68151
14	5666	4383	73050
15	6046	4677	77950
16	6426	4971	82850
17	6807	5265	87749
18	7187	5559	92649
19	7567	5853	97549
20	7947	6147	102448
21	8327	6441	107348
22	8707	6735	112248
23	9087	7029	117148
24	9467	7323	122047
25	9847	7617	126947
26	10227	7911	131847
27	10607	8205	136746
28	10987	8499	141646
29	11367	8793	146546
30	11747	9087	151446

CONNESSIONI SPECIALI
SPECIAL CONNECTIONS
SPEZIELLEN ANSCHLUESSEN

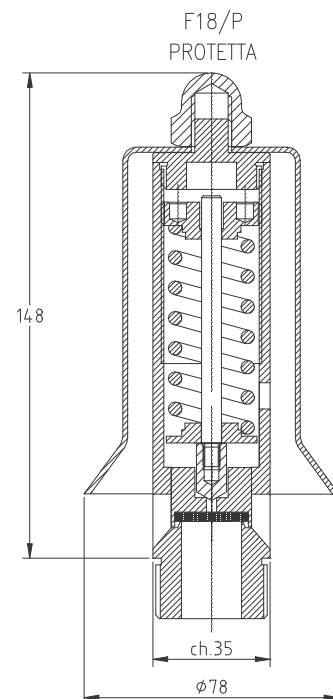
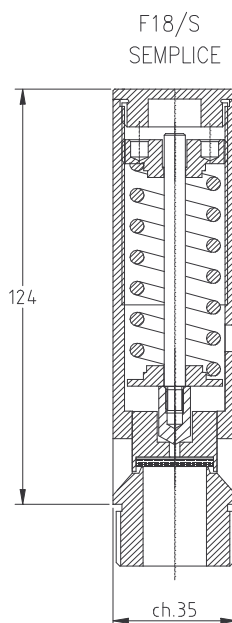
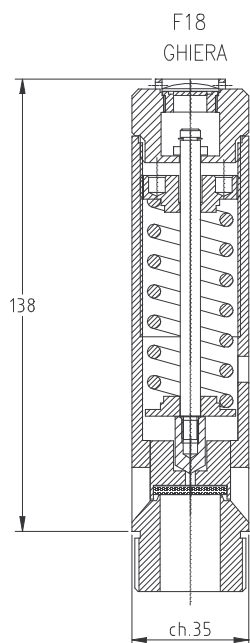
	In	Out
R.1"1/4 ISO 7		N.D.
R.1"1/2 ISO 7		N.D.
1"1/4 NPT		N.D.
1"1/2 NPT		N.D.
1" TRI CLAMP		N.D.
1"1/2 TRI CLAMP		N.D.
DN25 DIN 405 – DIN 11851		N.D.
DN32 DIN 405 – DIN 11851		N.D.
DN40 DIN 405 – DIN 11851		N.D.
DN32 PN16 / 40 UNI 1"1/4 ANSI 150 / 300		N.D.
DN40 PN16 / 40 UNI 1"1/2 ANSI 150 / 300		N.D.

A richiesta possono essere eseguiti collaudi dai più prestigiosi enti quali: ISPEL, TÜV, RINA, Bureau Veritas, ABS e Lloyd Register.

On request tests can be made by the most prestigious societies, such as: ISPELS, TÜV, RINA, Bureau Veritas, ABS and Lloyd Register.

Auf Wunsch kann man Betriebe wie ISPEL, TÜV, RINA, Bureau Veritas, ABS und Lloyd Register eine Abnahmebescheinigung fragen.

Note:

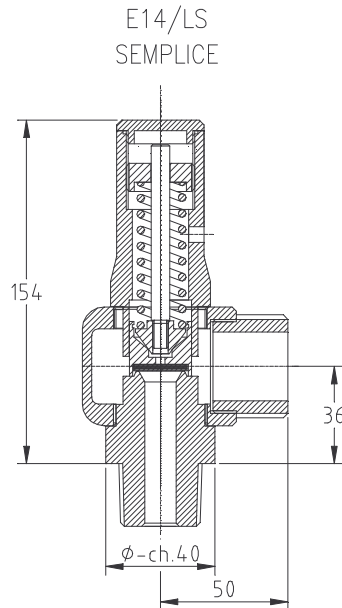
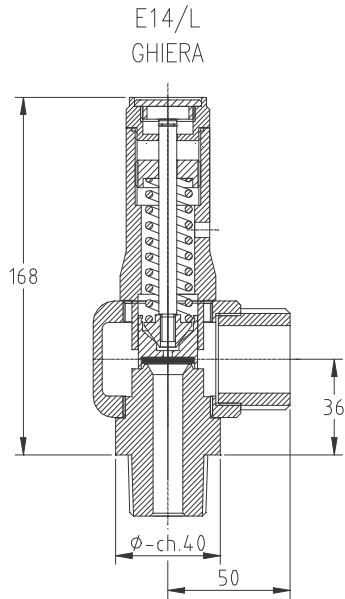


Omologazione <i>Homologation</i> Bestaetigt	CE IV[^] (ISPESL - TUV)	Sovrapressione <i>Overpressure</i> Über-unterdruck	10%
PN	40	Scarto in chiusura <i>Closing variation</i> Unterdruck	10%
k	0,7; ≥3bar 0,82		
Diametro orifizio <i>Opening diameter</i> Innen durchmesser	18	Campo di taratura bar <i>Setting rang</i> Eichungsbereich	0,5 – 21,0

VERSIONE <i>VERSION</i> AUSFUHRUNG	MATERIALI <i>MATERIALS</i> MATERIAL
Ottone <i>Brass</i> Messing	UNI EN 12164 CW614N (min -50°C / max +200°C)

CONNESSIONI STANDARD <i>STANDARD CONNECTIONS</i> STANDARDANSCHLUSSE	
In	Out
G. 1" ISO 228	/

GUARNIZIONI <i>GASKET</i> DICHTUNG	
N.B.R. (Standard)	-10 / +100 °C
E.P.D.M.	-50 / +150 °C
VITON	-20 / +200 °C
SILICONE	-60 / +200 °C
TEFLON	-100 / +180 °C



Omologazione <i>Homologation</i> Bestaetigt	CE IV[^] (ISPESL - TUV)	Sovrapressione <i>Overpressure</i> Über-unterdruck	10%
PN	100	Scarto in chiusura <i>Closing variation</i> Unterdruck	15%
k	0,85		
Diametro orifizio <i>Opening diameter</i> Innen durchmesser	14	Campo di taratura bar <i>Setting rang</i> Eichungsbereich	0,5 – 80,0

VERSIONE <i>VERSION</i> AUSFUHRUNG	MATERIALI <i>MATERIALS</i> MATERIAL
Ottone <i>Brass</i> Messing	UNI EN 12164 CW614N (min -50°C / max +200°C)
Ottone – Acciaio inox <i>Brass – Stainless steel</i> Messing - Stahl	UNI EN 12164 CW614N – UNI EN 10088 1.4401 (min -50°C / max +200°C)
Acciaio inox <i>Stainless steel</i> Stahl	UNI EN 10088 1.4401 (min -195°C / max +450°C)

CONNESSIONI STANDARD <i>STANDARD CONNECTIONS</i> STANDARDANSCHLUSSE	
In	Out
G.3/4" ISO 228	G.1"1/4 ISO 228
G.1" ISO 228	G.1"1/4 ISO 228

GUARNIZIONI <i>GASKET</i> DICHTUNG	
N.B.R. (Standard)	-10 / +100 °C
E.P.D.M.	-50 / +150 °C
VITON	-20 / +200 °C
SILICONE	-60 / +200 °C
TEFLON	-100 / +180 °C
METALLICA	-195 / +450 °C

TABELLA DI PORTATA
TABEL OF DELIVERIES
LEISTUNGSTABELLE

Ps bar	Aria Air Luft	Vapore Saturo Satured Steam Satter Dampf	Acqua Water Wasserdampf
	kg/h (0°C)	kg/h	kg/h (4°C)
2,5	432	265	4448
5	749	450	6290
7,5	1066	634	7703
10	1383	814	8895
12,5	1700	995	9945
15	2017	1178	10894
17,5	2333	1359	11767
20	2650	1540	12580
22,5	2967	1715	13343
25	3284	1894	14064
27,5	3601	2076	14751
30	3918	2259	15407
32,5	4235		16036
35	4552		16641
37,5	4869		17225
40	5186		17790
42,5	5502		18338
45	5819		18869
47,5	6136		19386
50	6453		19890
52,5	6770		20381
55	7087		20861
57,5	7404		21330
60	7721		21788
62,5	8038		22238
65	8354		22678
67,5	8671		23110
70	8988		23534
75	9622		24360
80	10256		25159

CONNESSIONI SPECIALI
SPECIAL CONNECTIONS
SPEZIELLEN ANSCHLUESSEN

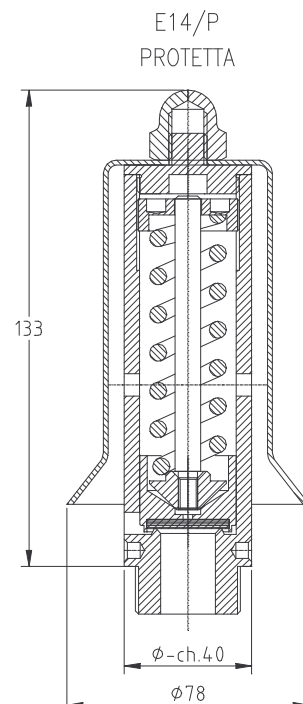
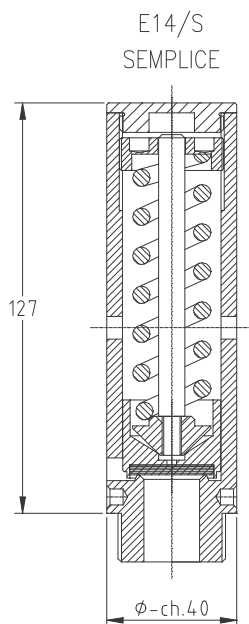
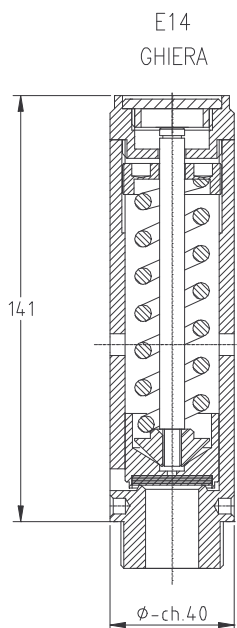
	In	Out
R.3/4" ISO 7		N.D.
R.1" ISO 7		N.D.
3/4" NPT		N.D.
1" NPT		N.D.
1"1/2 TRI CLAMP		
DN25 DIN 405 – DIN 11851		
DN32 DIN 405 – DIN 11851		
DN20 PN16 / 40 / 100 UNI 3/4" ANSI 150 / 300 / 600		N.D.
DN25 PN16 / 40 / 100 UNI 1" ANSI 150 / 300		N.D.
DN32 PN16 / 40 / 100 UNI 1"1/4 ANSI 150 / 300 / 600		

A richiesta possono essere eseguiti collaudi dai più prestigiosi enti quali: ISPESL, TÜV, RINA, Bureau Veritas, ABS e Lloyd Register.

On request tests can be made by the most prestigious societies, such as: ISPESL, TÜV, RINA, Bureau Veritas, ABS and Lloyd Register.

Auf Wunsch kann man Betriebe wie ISPESL, TÜV, RINA, Bureau Veritas, ABS und Lloyd Register eine Abnahmebescheinigung fragen.

Note:



Omologazione <i>Homologation</i> Bestaetigt	CE IV[^] (ISPESL - TUV)	Sovrapressione <i>Overpressure</i> Uber-unterdruck	10%
PN	100	Scarto in chiusura <i>Closing variation</i> Unterdruck	15%
k	0,85		
Diametro orifizio <i>Opening diameter</i> Innen durchmesser	14	Campo di taratura bar <i>Setting rang</i> Eichungsbereich	0,5 – 80,0

VERSIONE <i>VERSION</i> AUSFUHRUNG	MATERIALI <i>MATERIALS</i> MATERIAL
Ottone <i>Brass</i> Messing	UNI EN 12164 CW614N (min -50°C / max +200°C)
Ottone – Acciaio inox <i>Brass – Stainless steel</i> Messing - Stahl	UNI EN 12164 CW614N – UNI EN 10088 1.4401 (min -50°C / max +200°C)
Acciaio inox <i>Stainless steel</i> Stahl	UNI EN 10088 1.4401 (min -195°C / max +450°C)

CONNESSIONI STANDARD
STANDARD CONNECTIONS
STANDARDANSCHLUSSE

In	Out
G.3/4" ISO 228	/
G.1" ISO 228	/

GUARNIZIONI
GASKET
DICHTUNG

N.B.R. (Standard)	-10 / +100 °C
E.P.D.M.	-50 / +150 °C
VITON	-20 / +200 °C
SILICONE	-60 / +200 °C
TEFLON	-100 / +180 °C
METALLICA	-195 / +450 °C

TABELLA DI PORTATA
TABEL OF DELIVERIES
LEISTUNGSTABELLE

Ps bar	Aria Air Luft	Aria Air Luft	Aria Air Luft
	kg/h (0°C)	mc/h (0°C)	l/min (0°C)
2,5	432	334	5571
5	749	579	9656
7,5	1066	825	13742
10	1383	1070	17827
12,5	1700	1315	21912
15	2017	1560	25998
17,5	2333	1805	30083
20	2650	2050	34169
22,5	2967	2295	38254
25	3284	2540	42339
27,5	3601	2785	46425
30	3918	3031	50510
32,5	4235	3276	54596
35	4552	3521	58681
37,5	4869	3766	62766
40	5186	4011	66852
42,5	5502	4256	70937
45	5819	4501	75022
47,5	6136	4746	79108
50	6453	4992	83193
52,5	6770	5237	87279
55	7087	5482	91364
57,5	7404	5727	95449
60	7721	5972	99535
62,5	8038	6217	103620
65	8354	6462	107705
67,5	8671	6707	111791
70	8988	6953	115876
75	9622	7443	124047
80	10256	7933	132218

CONNESSIONI SPECIALI
SPECIAL CONNECTIONS
SPEZIELLEN ANSCHLUESSEN

In Out

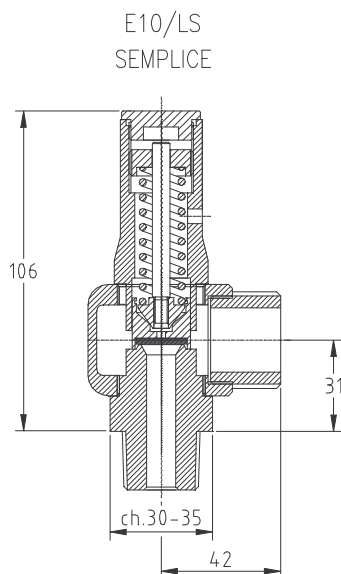
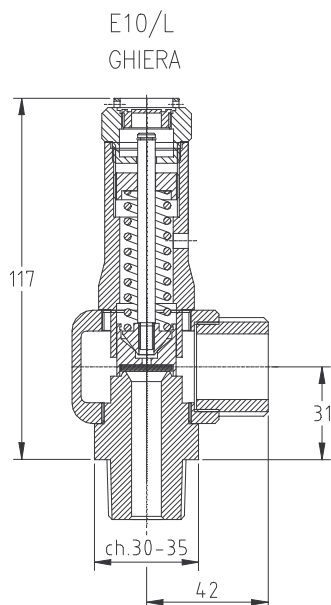
R.3/4" ISO 7		N.D.
R.1" ISO 7		N.D.
3/4" NPT		N.D.
1" NPT		N.D.
1" TRI CLAMP		N.D.
1"1/2 TRI CLAMP		N.D.
DN25 DIN 405 – DIN 11851		N.D.
DN32 DIN 405 – DIN 11851		N.D.
DN25 PN16 / 40 /100 UNI 1" ANSI 150 / 300 / 600		N.D.

A richiesta possono essere eseguiti collaudi dai più prestigiosi enti quali: **ISPEL, TÜV, RINA, Bureau Veritas, ABS e Lloyd Register.**

On request tests can be made by the most prestigious societies, such as: ISPELS, TÜV, RINA, Bureau Veritas, ABS and Lloyd Register.

Auf Wunsch kann man Betriebe wie ISPEL, TÜV, RINA, Bureau Veritas, ABS und Lloyd Register eine Abnahmebescheinigung fragen.

Note:



Omologazione <i>Homologation</i> Bestaetigt	CE IV[^] (ISPESL - TUV)	Sovrapressione <i>Overpressure</i> Über-unterdruck	10%
PN	100	Scarto in chiusura <i>Closing variation</i> Unterdruck	15%
k	0,8		
Diametro orifizio <i>Opening diameter</i> Innen durchmesser	10	Campo di taratura bar <i>Setting rang</i> Eichungsbereich	0,5 – 80,0

VERSIONE <i>VERSION</i> AUSFUHRUNG	MATERIALI <i>MATERIALS</i> MATERIAL
Ottone <i>Brass</i> Messing	UNI EN 12164 CW614N (min -50°C / max +200°C)
Ottone – Acciaio inox <i>Brass – Stainless steel</i> Messing - Stahl	UNI EN 12164 CW614N – UNI EN 10088 1.4401 (min -50°C / max +200°C)
Acciaio inox <i>Stainless steel</i> Stahl	UNI EN 10088 1.4401 (min -195°C / max +450°C)

CONNESSIONI STANDARD <i>STANDARD CONNECTIONS</i> STANDARDANSCHLUSSE	
In	Out
G.1/2" ISO 228	G.1" ISO 228
G.3/4" ISO 228	G.1" ISO 228

GUARNIZIONI <i>GASKET</i> DICHTUNG	
N.B.R. (Standard)	-10 / +100 °C
E.P.D.M.	-50 / +150 °C
VITON	-20 / +200 °C
SILICONE	-60 / +200 °C
TEFLON	-100 / +180 °C
METALLICA	-195 / +450 °C

TABELLA DI PORTATA
TABEL OF DELIVERIES
LEISTUNGSTABELLE

Ps bar	Aria Air Luft	Vapore Saturo Satured Steam Satter Dampf	Acqua Water Wasserdampf
	kg/h (0°C)	kg/h	kg/h (4°C)
2,5	207	127	2267
5	359	216	3206
7,5	511	304	3927
10	663	390	4534
12,5	815	477	5069
15	967	565	5553
17,5	1120	652	5998
20	1272	739	6412
22,5	1424	823	6801
25	1576	909	7169
27,5	1728	996	7519
30	1880	1084	7853
32,5	2032		8174
35	2184		8483
37,5	2336		8780
40	2488		9068
42,5	2640		9347
45	2792		9618
47,5	2944		9882
50	3096		10139
52,5	3248		10389
55	3400		10634
57,5	3552		10873
60	3704		11106
62,5	3856		11335
65	4008		11560
67,5	4160		11780
70	4312		11996
75	4616		12417
80	4920		12825

CONNESSIONI SPECIALI
SPECIAL CONNECTIONS
SPEZIELLEN ANSCHLUESSEN

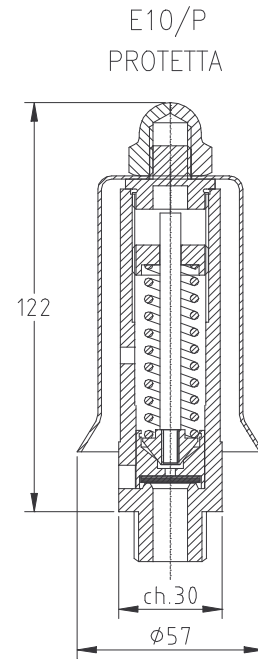
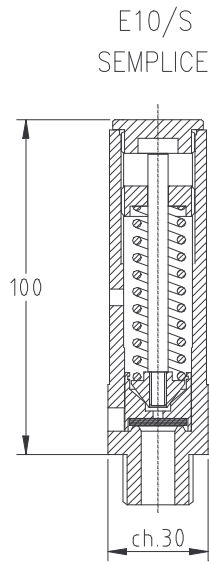
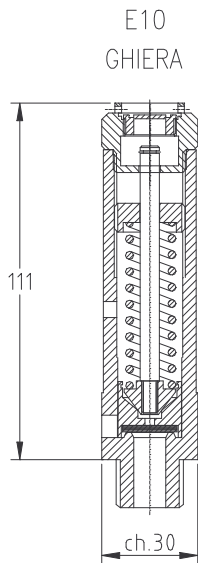
	In	Out
R.1/2" ISO 7		N.D.
R.3/4" ISO 7		N.D.
1/2" NPT		N.D.
3/4" NPT		N.D.
DN15 PN16 / 40 / 100 UNI 1/2" ANSI 150 / 300 / 600		N.D.
DN20 PN16 / 40 / 100 UNI 3/4" ANSI 150 / 300 / 300		N.D.
DN25 PN16 / 40 / 100 UNI 1" ANSI 150 / 300 / 600		

A richiesta possono essere eseguiti collaudi dai più prestigiosi enti quali: ISPESL, TÜV, RINA, Bureau Veritas, ABS e Lloyd Register.

On request tests can be made by the most prestigious societies, such as: ISPESL, TÜV, RINA, Bureau Veritas, ABS and Lloyd Register.

Auf Wunsch kann man Betriebe wie ISPESL, TÜV, RINA, Bureau Veritas, ABS und Lloyd Register eine Abnahmebescheinigung fragen.

Note:



Omologazione <i>Homologation</i> Bestaetigt	CE IV[^] (ISPESL - TUV)	Sovrapressione <i>Overpressure</i> Über-unterdruck	10%
PN	100	Scarto in chiusura <i>Closing variation</i> Unterdruck	15%
k	0,8		
Diametro orifizio <i>Opening diameter</i> Innen durchmesser	10	Campo di taratura bar <i>Setting rang</i> Eichungsbereich	0,5 – 80,0

VERSIONE <i>VERSION</i> AUSFUHRUNG	MATERIALI <i>MATERIALS</i> MATERIAL
Ottone <i>Brass</i> Messing	UNI EN 12164 CW614N (min -50°C / max +200°C)
Acciaio inox <i>Stainless steel</i> Stahl	UNI EN 10088 1.4401 (min -195°C / max +450°C)

CONNESSIONI STANDARD
STANDARD CONNECTIONS
STANDARDANSCHLUSSE

In	Out
G.1/2" ISO 228	/
G.3/4" ISO 228	/

GUARNIZIONI
GASKET
DICHTUNG

N.B.R. (Standard)	-10 / +100 °C
E.P.D.M.	-50 / +150 °C
VITON	-20 / +200 °C
SILICONE	-60 / +200 °C
TEFLON	-100 / +180 °C

TABELLA DI PORTATA
TABEL OF DELIVERIES
 LEISTUNGSTABELLE

Ps bar	Aria Air Luft	Aria Air Luft	Aria Air Luft
	kg/h (0°C)	mc/h (0°C)	l/min (0°C)
2,5	207	160	2673
5	359	278	4633
7,5	511	396	6593
10	663	513	8553
12,5	815	631	10513
15	967	748	12473
17,5	1120	866	14433
20	1272	984	16393
22,5	1424	1101	18353
25	1576	1219	20313
27,5	1728	1336	22273
30	1880	1454	24233
32,5	2032	1572	26193
35	2184	1689	28152
37,5	2336	1807	30112
40	2488	1924	32072
42,5	2640	2042	34032
45	2792	2160	35992
47,5	2944	2277	37952
50	3096	2395	39912
52,5	3248	2512	41872
55	3400	2630	43832
57,5	3552	2748	45792
60	3704	2865	47752
62,5	3856	2983	49712
65	4008	3100	51672
67,5	4160	3218	53632
70	4312	3336	55592
75	4616	3571	59512
80	4920	3806	63432

CONNESSIONI SPECIALI
SPECIAL CONNECTIONS
 SPEZIELLEN ANSCHLUESSEN

	In	Out
R.1/2" ISO 7		N.D.
R.3/4" ISO 7		N.D.
1/2" NPT		N.D.
3/4" NPT		N.D.
3/4" TRI CLAMP		N.D.
1" TRI CLAMP		N.D.
1"1/2 TRI CLAMP		N.D.

A richiesta possono essere eseguiti collaudi dai più prestigiosi enti quali: ISPEL, TÜV, RINA, Bureau Veritas, ABS e Lloyd Register.

On request tests can be made by the most prestigious societies, such as: ISPELS, TÜV, RINA, Bureau Veritas, ABS and Lloyd Register.

Auf Wunsch kann man Betriebe wie ISPEL, TÜV, RINA, Bureau Veritas, ABS und Lloyd Register eine Abnahmebescheinigung fragen.

Note:

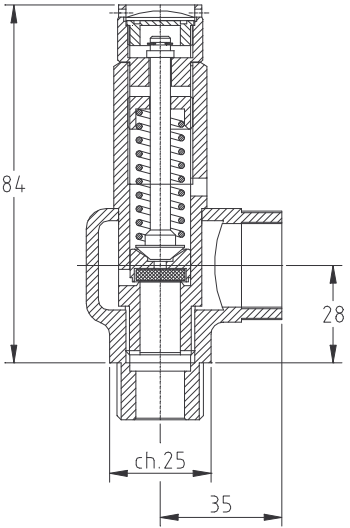
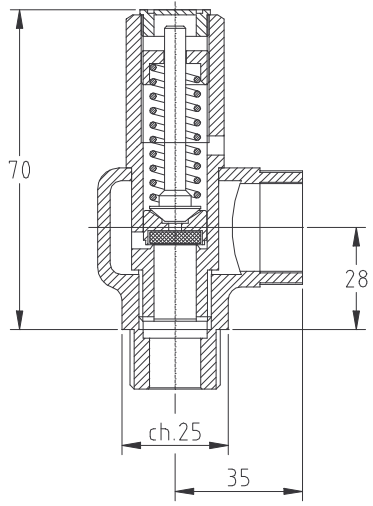
<p>D7/C GHIERA</p> 	<p>D7/CS SEMPLICE</p> 																																								
	<table border="1"> <tr> <td>Omologazione <i>Homologation</i> Bestaetigt</td> <td>CE IV[^] (ISPESL - TUV)</td> <td>Sovrapressione <i>Overpressure</i> Über-unterdruck</td> <td>10%</td> </tr> <tr> <td>PN</td> <td>40</td> <td>Scarto in chiusura <i>Closing variation</i> Unterdruck</td> <td>10%</td> </tr> <tr> <td>k</td> <td>0,58; ≥3 bar 0,78</td> <td>Campo di taratura bar <i>Setting rang</i> Eichungsbereich</td> <td>0,5 – 30,0</td> </tr> <tr> <td>Diametro orifizio <i>Opening diameter</i> Innen durchmesser</td> <td>7</td> <td></td> <td></td> </tr> </table>			Omologazione <i>Homologation</i> Bestaetigt	CE IV[^] (ISPESL - TUV)	Sovrapressione <i>Overpressure</i> Über-unterdruck	10%	PN	40	Scarto in chiusura <i>Closing variation</i> Unterdruck	10%	k	0,58; ≥3 bar 0,78	Campo di taratura bar <i>Setting rang</i> Eichungsbereich	0,5 – 30,0	Diametro orifizio <i>Opening diameter</i> Innen durchmesser	7																								
Omologazione <i>Homologation</i> Bestaetigt	CE IV[^] (ISPESL - TUV)	Sovrapressione <i>Overpressure</i> Über-unterdruck	10%																																						
PN	40	Scarto in chiusura <i>Closing variation</i> Unterdruck	10%																																						
k	0,58; ≥3 bar 0,78	Campo di taratura bar <i>Setting rang</i> Eichungsbereich	0,5 – 30,0																																						
Diametro orifizio <i>Opening diameter</i> Innen durchmesser	7																																								
<table border="1"> <tr> <th colspan="2">CONNESSIONI STANDARD STANDARD CONNECTIONS STANDARDANSCHLUSSE</th> </tr> <tr> <th>In</th> <th>Out</th> </tr> <tr> <td>G. 1/4" ISO 228</td> <td>G. 3/4" ISO 228</td> </tr> <tr> <td>G. 3/8" ISO 228</td> <td>G. 3/4" ISO 228</td> </tr> </table>	CONNESSIONI STANDARD STANDARD CONNECTIONS STANDARDANSCHLUSSE		In	Out	G. 1/4" ISO 228	G. 3/4" ISO 228	G. 3/8" ISO 228	G. 3/4" ISO 228	<table border="1"> <tr> <th colspan="2">VERSIONE VERSION AUSFUHRUNG</th> <th colspan="2">MATERIALI MATERIALS MATERIAL</th> </tr> <tr> <td colspan="2">Ottone <i>Brass</i> Messing</td> <td colspan="2">UNI EN 12164 CW614N (min -50°C / max +200°C)</td> </tr> <tr> <td colspan="2"></td> <td colspan="2"></td> </tr> <tr> <td colspan="2"></td> <td colspan="2"></td> </tr> </table> <table border="1"> <tr> <th colspan="2">GUARNIZIONI GASKET DICHTUNG</th> </tr> <tr> <td>N.B.R. (Standard)</td> <td>-10 / +100 °C</td> </tr> <tr> <td>E.P.D.M.</td> <td>-50 / +150 °C</td> </tr> <tr> <td>VITON</td> <td>-20 / +200 °C</td> </tr> <tr> <td>SILICONE</td> <td>-50 / +200 °C</td> </tr> <tr> <td>TEFLON</td> <td>-50 / +180 °C</td> </tr> <tr> <td></td> <td></td> </tr> </table>			VERSIONE VERSION AUSFUHRUNG		MATERIALI MATERIALS MATERIAL		Ottone <i>Brass</i> Messing		UNI EN 12164 CW614N (min -50°C / max +200°C)										GUARNIZIONI GASKET DICHTUNG		N.B.R. (Standard)	-10 / +100 °C	E.P.D.M.	-50 / +150 °C	VITON	-20 / +200 °C	SILICONE	-50 / +200 °C	TEFLON	-50 / +180 °C		
CONNESSIONI STANDARD STANDARD CONNECTIONS STANDARDANSCHLUSSE																																									
In	Out																																								
G. 1/4" ISO 228	G. 3/4" ISO 228																																								
G. 3/8" ISO 228	G. 3/4" ISO 228																																								
VERSIONE VERSION AUSFUHRUNG		MATERIALI MATERIALS MATERIAL																																							
Ottone <i>Brass</i> Messing		UNI EN 12164 CW614N (min -50°C / max +200°C)																																							
GUARNIZIONI GASKET DICHTUNG																																									
N.B.R. (Standard)	-10 / +100 °C																																								
E.P.D.M.	-50 / +150 °C																																								
VITON	-20 / +200 °C																																								
SILICONE	-50 / +200 °C																																								
TEFLON	-50 / +180 °C																																								

TABELLA DI PORTATA
TABEL OF DELIVERIES
LEISTUNGSTABELLE

Ps bar	Aria Air Luft	Vapore Saturo Saturated Steam Satter Dampf	Acqua Water Wasserdampf
	kg/h (0°C)	kg/h	kg/h (4°C)
1	44	27	703
2	76	47	995
3	114	69	1218
4	143	86	1406
5	172	103	1572
6	201	119	1723
7	230	137	1861
8	259	153	1989
9	288	170	2110
10	317	187	2224
11	346	204	2332
12	375	220	2436
13	404	237	2535
14	434	254	2631
15	463	270	2724
16	492	287	2813
17	521	303	2899
18	550	320	2984
19	579	336	3065
20	608	353	3145
21	637	369	3223
22	666	386	3298
23	695	402	3373
24	724	418	3445
25	753	434	3516
26	783	451	3586
27	812	468	3654
28	841	485	3721
29	870	502	3787
30	899	518	3852

CONNESSIONI SPECIALI
SPECIAL CONNECTIONS
SPEZIELLEN ANSCHLUESSEN

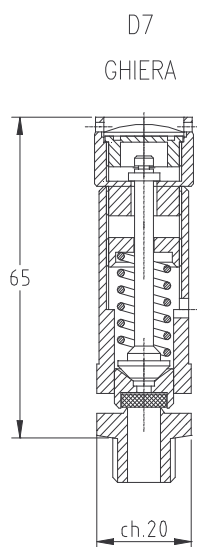
	In	Out
1/4" NPT		N.D.

A richiesta possono essere eseguiti collaudi dai più prestigiosi enti quali: ISPEL, TÜV, RINA, Bureau Veritas, ABS e Lloyd Register.

On request tests can be made by the most prestigious societies, such as: ISPELS, TÜV, RINA, Bureau Veritas, ABS and Lloyd Register.

Auf Wunsch kann man Betriebe wie ISPEL, TÜV, RINA, Bureau Veritas, ABS und Lloyd Register eine Abnahmebescheinigung fragen.

Note:



Omologazione <i>Homologation</i> Bestaetigt	CE IV[^] (ISPESL - TUV)	Sovrapressione <i>Overpressure</i> Über-unterdruck	10%
PN	40	Scarto in chiusura <i>Closing variation</i> Unterdruck	10%
k	0,58; ≥ 3 bar 0,78	Campo di taratura bar <i>Setting rang</i> Eichungsbereich	0,5 – 30,0
Diametro orifizio <i>Opening diameter</i> Innen durchmesser	7		

VERSIONE <i>VERSION</i> AUSFUHRUNG	MATERIALI <i>MATERIALS</i> MATERIAL
Ottone <i>Brass</i> Messing	UNI EN 12164 CW614N (min -50°C / max +200°C)

CONNESSIONI STANDARD
STANDARD CONNECTIONS
STANDARDANSCHLUSSE

In	Out
G.1/4" ISO 228	/
G.3/8" ISO 228	/

GUARNIZIONI
GASKET
DICHTUNG

N.B.R. (Standard)	-10 / +100 °C
E.P.D.M.	-50 / +150 °C
VITON	-20 / +200 °C
SILICONE	-60 / +200 °C
TEFLON	-100 / +180 °C

TABELLA DI PORTATA
TABEL OF DELIVERIES
LEISTUNGSTABELLE

Ps bar	Aria Air Luft	Aria Air Luft	Aria Air Luft
	kg/h (0°C)	mc/h (0°C)	l/min (0°C)
1	44	34	569
2	76	59	979
3	114	88	1465
4	143	110	1840
5	172	133	2215
6	201	155	2590
7	230	178	2965
8	259	200	3340
9	288	223	3715
10	317	245	4090
11	346	268	4465
12	375	290	4840
13	404	313	5214
14	434	335	5589
15	463	358	5964
16	492	380	6339
17	521	403	6714
18	550	425	7089
19	579	448	7464
20	608	470	7839
21	637	493	8214
22	666	515	8588
23	695	538	8963
24	724	560	9338
25	753	583	9713
26	783	605	10088
27	812	628	10463
28	841	650	10838
29	870	673	11213
30	899	695	11588

CONNESSIONI SPECIALI
SPECIAL CONNECTIONS
SPEZIELLEN ANSCHLUESSEN

	In	Out
R.1/4" ISO 7		N.D.
R.3/8" ISO 7		N.D.
1/4" NPT		N.D.
3/8" NPT		N.D.

A richiesta possono essere eseguiti collaudi dai più prestigiosi enti quali: ISPESL, TÜV, RINA, Bureau Veritas, ABS e Lloyd Register.

On request tests can be made by the most prestigious societies, such as: ISPESL, TÜV, RINA, Bureau Veritas, ABS and Lloyd Register.

Auf Wunsch kann man Betriebe wie ISPESL, TÜV, RINA, Bureau Veritas, ABS und Lloyd Register eine Abnahmebescheinigung fragen.

Note:

TABELLA DI PORTATA
TABEL OF DELIVERIES
LEISTUNGSTABELLE

Ps bar	Aria Air Luft	Vapore Saturo Saturated Steam Satter Dampf	Acqua Water Wasserdampf
	kg/h (0°C)	kg/h	kg/h (4°C)
1	210	130	2813
2	336	207	3978
3	472	287	4872
4	593	358	5626
5	714	429	6290
6	835	496	6890
7	955	568	7442
8	1076	637	7956
9	1197	708	8439
10	1318	776	8895
11	1439	847	9329
12	1559	913	9744
13	1680	984	10142
14	1801	1055	10525
15	1922	1122	10894
16	2042	1193	11252
17	2163	1260	11598
18	2284	1331	11934
19	2405	1397	12261
20	2526	1468	12580
21	2646	1534	12890
22	2767	1604	13194
23	2888	1670	13490
24	3009	1735	13780
25	3130	1805	14064
26	3250	1874	14343
27	3371	1944	14616
28	3492	2014	14884
29	3613	2083	15148
30	3734	2153	15407

CONNESSIONI SPECIALI
SPECIAL CONNECTIONS
SPEZIELLEN ANSCHLUESSEN

	In	Out
R.1/2" ISO 7		N.D.
R.3/4" ISO 7		N.D.
1/2" NPT		N.D.
3/4" NPT		N.D.
DN15 PN16 / 40 UNI 1/2" ANSI 150 / 300		N.D.
DN20 PN16 / 40 UNI 3/4" ANSI 150 / 300		N.D.
DN25 PN16 / 40 UNI 1" ANSI 150 / 300		

A richiesta possono essere eseguiti collaudi dai più prestigiosi enti quali: ISPESL, TÜV, RINA, Bureau Veritas, ABS e Lloyd Register.

On request tests can be made by the most prestigious societies, such as: ISPELS, TÜV, RINA, Bureau Veritas, ABS and Lloyd Register.

Auf Wunsch kann man Betriebe wie ISPESL, TÜV, RINA, Bureau Veritas, ABS und Lloyd Register eine Abnahmebescheinigung fragen.

Note:

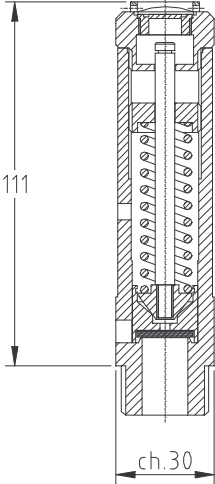
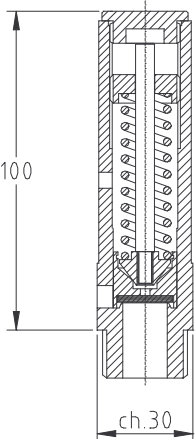
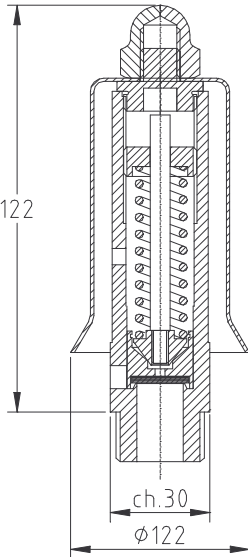
<p>D14 GHIERA</p> 	<p>D14/S SEMPLICE</p> 	<p>D14/P PROTETTA</p> 																																					
	<table border="1"> <tr> <td>Omologazione <i>Homologation</i> Bestaetigt</td> <td>CE IV[^] (ISPESL - TUV)</td> <td>Sovrapressione <i>Overpressure</i> Über-unterdruck</td> <td>10%</td> </tr> <tr> <td>PN</td> <td>40</td> <td>Scarto in chiusura <i>Closing variation</i> Unterdruck</td> <td>10%</td> </tr> <tr> <td>k</td> <td>0,72; ≥3bar 0,81</td> <td></td> <td></td> </tr> <tr> <td>Diametro orifizio <i>Opening diameter</i> Innen durchmesser</td> <td>14</td> <td>Campo di taratura bar <i>Setting rang</i> Eichungsbereich</td> <td>0,5 – 30,0</td> </tr> </table>			Omologazione <i>Homologation</i> Bestaetigt	CE IV[^] (ISPESL - TUV)	Sovrapressione <i>Overpressure</i> Über-unterdruck	10%	PN	40	Scarto in chiusura <i>Closing variation</i> Unterdruck	10%	k	0,72; ≥3bar 0,81			Diametro orifizio <i>Opening diameter</i> Innen durchmesser	14	Campo di taratura bar <i>Setting rang</i> Eichungsbereich	0,5 – 30,0																				
Omologazione <i>Homologation</i> Bestaetigt	CE IV[^] (ISPESL - TUV)	Sovrapressione <i>Overpressure</i> Über-unterdruck	10%																																				
PN	40	Scarto in chiusura <i>Closing variation</i> Unterdruck	10%																																				
k	0,72; ≥3bar 0,81																																						
Diametro orifizio <i>Opening diameter</i> Innen durchmesser	14	Campo di taratura bar <i>Setting rang</i> Eichungsbereich	0,5 – 30,0																																				
<table border="1"> <tr> <th colspan="2">CONNESSIONI STANDARD <i>STANDARD CONNECTIONS</i> STANDARDANSCHLUSSE</th> </tr> <tr> <th>In</th> <th>Out</th> </tr> <tr> <td>G.1/2" ISO 228</td> <td>/</td> </tr> <tr> <td>G.3/4" ISO 228</td> <td>/</td> </tr> </table>	CONNESSIONI STANDARD <i>STANDARD CONNECTIONS</i> STANDARDANSCHLUSSE		In	Out	G.1/2" ISO 228	/	G.3/4" ISO 228	/	<table border="1"> <tr> <th colspan="2">VERSIONE <i>VERSION</i> AUSFUHRUNG</th> <th colspan="2">MATERIALI <i>MATERIALS</i> MATERIAL</th> </tr> <tr> <td>Ottone <i>Brass</i> Messing</td> <td></td> <td colspan="2">UNI EN 12164 CW614N (min -50°C / max +200°C)</td> </tr> <tr> <td>Acciaio inox <i>Stainless steel</i> Stahl</td> <td></td> <td colspan="2">UNI EN 10088 1.4401 (min -195°C / max +450°C)</td> </tr> <tr> <td></td> <td></td> <td colspan="2"></td> </tr> </table> <table border="1"> <tr> <th colspan="2">GUARNIZIONI <i>GASKET</i> DICHTUNG</th> </tr> <tr> <td>N.B.R. (Standard)</td> <td>-10 / +100 °C</td> </tr> <tr> <td>E.P.D.M.</td> <td>-50 / +150 °C</td> </tr> <tr> <td>VITON</td> <td>-20 / +200 °C</td> </tr> <tr> <td>SILICONE</td> <td>-60 / +200 °C</td> </tr> <tr> <td>TEFLON</td> <td>-100 / +180 °C</td> </tr> </table>			VERSIONE <i>VERSION</i> AUSFUHRUNG		MATERIALI <i>MATERIALS</i> MATERIAL		Ottone <i>Brass</i> Messing		UNI EN 12164 CW614N (min -50°C / max +200°C)		Acciaio inox <i>Stainless steel</i> Stahl		UNI EN 10088 1.4401 (min -195°C / max +450°C)						GUARNIZIONI <i>GASKET</i> DICHTUNG		N.B.R. (Standard)	-10 / +100 °C	E.P.D.M.	-50 / +150 °C	VITON	-20 / +200 °C	SILICONE	-60 / +200 °C	TEFLON	-100 / +180 °C
CONNESSIONI STANDARD <i>STANDARD CONNECTIONS</i> STANDARDANSCHLUSSE																																							
In	Out																																						
G.1/2" ISO 228	/																																						
G.3/4" ISO 228	/																																						
VERSIONE <i>VERSION</i> AUSFUHRUNG		MATERIALI <i>MATERIALS</i> MATERIAL																																					
Ottone <i>Brass</i> Messing		UNI EN 12164 CW614N (min -50°C / max +200°C)																																					
Acciaio inox <i>Stainless steel</i> Stahl		UNI EN 10088 1.4401 (min -195°C / max +450°C)																																					
GUARNIZIONI <i>GASKET</i> DICHTUNG																																							
N.B.R. (Standard)	-10 / +100 °C																																						
E.P.D.M.	-50 / +150 °C																																						
VITON	-20 / +200 °C																																						
SILICONE	-60 / +200 °C																																						
TEFLON	-100 / +180 °C																																						

TABELLA DI PORTATA
TABEL OF DELIVERIES
LEISTUNGSTABELLE

Ps bar	Aria Air Luft	Aria Air Luft	Aria Air Luft
	kg/h (0°C)	mc/h (0°C)	l/min (0°C)
1	210	163	2709
2	336	260	4329
3	472	365	6087
4	593	459	7645
5	714	552	9202
6	835	646	10759
7	955	739	12316
8	1076	832	13874
9	1197	926	15431
10	1318	1019	16988
11	1439	1113	18545
12	1559	1206	20103
13	1680	1300	21660
14	1801	1393	23217
15	1922	1486	24774
16	2042	1580	26332
17	2163	1673	27889
18	2284	1767	29446
19	2405	1860	31003
20	2526	1954	32561
21	2646	2047	34118
22	2767	2141	35675
23	2888	2234	37232
24	3009	2327	38790
25	3130	2421	40347
26	3250	2514	41904
27	3371	2608	43461
28	3492	2701	45019
29	3613	2795	46576
30	3734	2888	48133

CONNESSIONI SPECIALI
SPECIAL CONNECTIONS
SPEZIELLEN ANSCHLUESSEN

	In	Out
R.1/2" ISO 7		N.D.
R.3/4" ISO 7		N.D.
1/2" NPT		N.D.
3/4" NPT		N.D.
3/4" TRI CLAMP		N.D.
1" TRI CLAMP		N.D.
1"1/2 TRI CLAMP		N.D.

A richiesta possono essere eseguiti collaudi dai più prestigiosi enti quali: ISPEL, TÜV, RINA, Bureau Veritas, ABS e Lloyd Register.

On request tests can be made by the most prestigious societies, such as: ISPELS, TÜV, RINA, Bureau Veritas, ABS and Lloyd Register.

Auf Wunsch kann man Betriebe wie ISPEL, TÜV, RINA, Bureau Veritas, ABS und Lloyd Register eine Abnahmebescheinigung fragen.

Note:

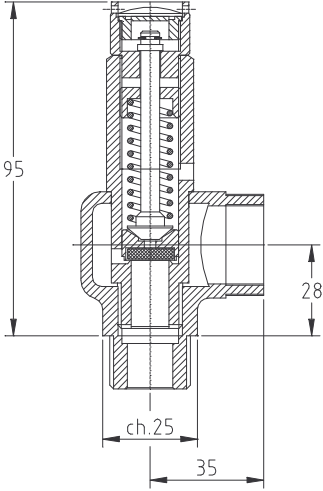
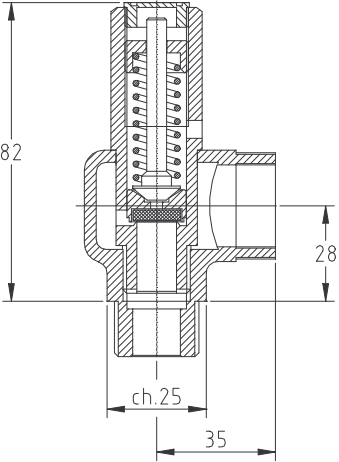
<p>D10/C GHIERA</p> 	<p>D10/CS SEMPLICE</p> 																										
	<table border="1"> <tr> <td>Omologazione <i>Homologation</i> Bestaetigt</td> <td>CE IV[^] (ISPESL - TUV)</td> <td>Sovrapressione <i>Overpressure</i> Über-unterdruck</td> <td>10%</td> </tr> <tr> <td>PN</td> <td>40</td> <td>Scarto in chiusura <i>Closing variation</i> Unterdruck</td> <td>10%</td> </tr> <tr> <td>k</td> <td>0,65; ≥3bar 0,77</td> <td></td> <td></td> </tr> <tr> <td>Diametro orifizio <i>Opening diameter</i> Innen durchmesser</td> <td>10</td> <td>Campo di taratura bar <i>Setting rang</i> Eichungsbereich</td> <td>0,5 – 30,0</td> </tr> </table>			Omologazione <i>Homologation</i> Bestaetigt	CE IV[^] (ISPESL - TUV)	Sovrapressione <i>Overpressure</i> Über-unterdruck	10%	PN	40	Scarto in chiusura <i>Closing variation</i> Unterdruck	10%	k	0,65; ≥3bar 0,77			Diametro orifizio <i>Opening diameter</i> Innen durchmesser	10	Campo di taratura bar <i>Setting rang</i> Eichungsbereich	0,5 – 30,0								
Omologazione <i>Homologation</i> Bestaetigt	CE IV[^] (ISPESL - TUV)	Sovrapressione <i>Overpressure</i> Über-unterdruck	10%																								
PN	40	Scarto in chiusura <i>Closing variation</i> Unterdruck	10%																								
k	0,65; ≥3bar 0,77																										
Diametro orifizio <i>Opening diameter</i> Innen durchmesser	10	Campo di taratura bar <i>Setting rang</i> Eichungsbereich	0,5 – 30,0																								
<p>CONNESSIONI STANDARD <i>STANDARD CONNECTIONS</i> STANDARDANSCHLUSSE</p> <table border="1"> <thead> <tr> <th>In</th> <th>Out</th> </tr> </thead> <tbody> <tr> <td>G.3/8" ISO 228</td> <td>G.3/4" ISO 228</td> </tr> <tr> <td>G.1/2" ISO 228</td> <td>G.3/4" ISO 228</td> </tr> </tbody> </table>	In	Out	G.3/8" ISO 228	G.3/4" ISO 228	G.1/2" ISO 228	G.3/4" ISO 228	<p>VERSIONE <i>VERSION</i> AUSFUHRUNG</p> <table border="1"> <thead> <tr> <th>VERSIONE <i>VERSION</i> AUSFUHRUNG</th> <th>MATERIALI <i>MATERIALS</i> MATERIAL</th> </tr> </thead> <tbody> <tr> <td>Ottone <i>Brass</i> Messing</td> <td>UNI EN 12164 CW614N (min -50°C / max +200°C)</td> </tr> <tr> <td>Acciaio inox <i>Stainless steel</i> Stahl</td> <td>UNI EN 10088 1.4401 (min -195°C / max +450°C)</td> </tr> </tbody> </table> <p>GUARNIZIONI <i>GASKET</i> DICHTUNG</p> <table border="1"> <tbody> <tr> <td>N.B.R. (Standard)</td> <td>-10 / +100 °C</td> </tr> <tr> <td>E.P.D.M.</td> <td>-50 / +150 °C</td> </tr> <tr> <td>VITON</td> <td>-20 / +200 °C</td> </tr> <tr> <td>SILICONE</td> <td>-60 / +200 °C</td> </tr> <tr> <td>TEFLON</td> <td>-100 / +180 °C</td> </tr> <tr> <td>METALLICA</td> <td>-195 / +450 °C</td> </tr> </tbody> </table>			VERSIONE <i>VERSION</i> AUSFUHRUNG	MATERIALI <i>MATERIALS</i> MATERIAL	Ottone <i>Brass</i> Messing	UNI EN 12164 CW614N (min -50°C / max +200°C)	Acciaio inox <i>Stainless steel</i> Stahl	UNI EN 10088 1.4401 (min -195°C / max +450°C)	N.B.R. (Standard)	-10 / +100 °C	E.P.D.M.	-50 / +150 °C	VITON	-20 / +200 °C	SILICONE	-60 / +200 °C	TEFLON	-100 / +180 °C	METALLICA	-195 / +450 °C
In	Out																										
G.3/8" ISO 228	G.3/4" ISO 228																										
G.1/2" ISO 228	G.3/4" ISO 228																										
VERSIONE <i>VERSION</i> AUSFUHRUNG	MATERIALI <i>MATERIALS</i> MATERIAL																										
Ottone <i>Brass</i> Messing	UNI EN 12164 CW614N (min -50°C / max +200°C)																										
Acciaio inox <i>Stainless steel</i> Stahl	UNI EN 10088 1.4401 (min -195°C / max +450°C)																										
N.B.R. (Standard)	-10 / +100 °C																										
E.P.D.M.	-50 / +150 °C																										
VITON	-20 / +200 °C																										
SILICONE	-60 / +200 °C																										
TEFLON	-100 / +180 °C																										
METALLICA	-195 / +450 °C																										

TABELLA DI PORTATA
TABEL OF DELIVERIES
LEISTUNGSTABELLE

Ps bar	Aria Air Luft	Vapore Saturo Saturated Steam Sattter Dampf	Acqua Water Wasserdampf
	kg/h (0°C)	kg/h	kg/h (4°C)
1	98	61	1434
2	160	99	2028
3	229	139	2483
4	287	174	2868
5	346	208	3206
6	404	241	3512
7	463	275	3794
8	521	309	4056
9	580	343	4302
10	639	376	4534
11	697	410	4756
12	756	442	4967
13	814	477	5170
14	873	511	5365
15	931	544	5553
16	990	578	5735
17	1048	611	5912
18	1107	645	6083
19	1165	677	6250
20	1224	711	6412
21	1282	743	6571
22	1341	777	6725
23	1399	809	6876
24	1458	841	7024
25	1517	874	7169
26	1575	908	7311
27	1634	942	7450
28	1692	976	7587
29	1751	1009	7721
30	1809	1043	7853

CONNESSIONI SPECIALI
SPECIAL CONNECTIONS
SPEZIELLEN ANSCHLUESSEN

	In	Out
G.3/8" ISO 228		N.D.
R.1/2" ISO 7		N.D.
1/2" NPT		N.D.
DN15 PN16 / 40 UNI 1/2" ANSI 150 / 300		
DN20 PN16 / 40 UNI 3/4" ANSI 150 / 300		

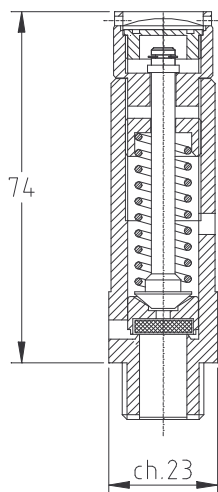
A richiesta possono essere eseguiti collaudi dai più prestigiosi enti quali: ISPESL, TÜV, RINA, Bureau Veritas, ABS e Lloyd Register.

On request tests can be made by the most prestigious societies, such as: ISPESL, TÜV, RINA, Bureau Veritas, ABS and Lloyd Register.

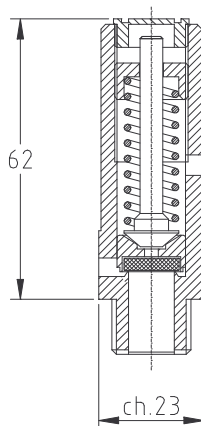
Auf Wunsch kann man Betriebe wie ISPESL, TÜV, RINA, Bureau Veritas, ABS und Lloyd Register eine Abnahmebescheinigung fragen.

Note:

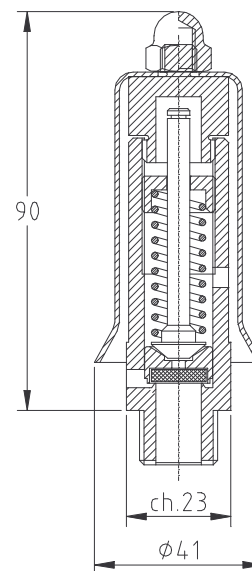
D10
GHIERA



D10/S
SEMPLICE



D10/P
PROTETTA



Omologazione <i>Homologation</i> Bestaetigt	CE IV[^] (ISPESL - TUV)	Sovrapressione <i>Overpressure</i> Über-unterdruck	10%
PN	40	Scarto in chiusura <i>Closing variation</i> Unterdruck	10%
k	0,65; ≥3bar 0,77		
Diametro orifizio <i>Opening diameter</i> Innen durchmesser	10	Campo di taratura bar <i>Setting rang</i> Eichungsbereich	0,5 – 30,0

VERSIONE <i>VERSION</i> AUSFUHRUNG	MATERIALI <i>MATERIALS</i> MATERIAL
Ottone <i>Brass</i> Messing	UNI EN 12164 CW614N (min -50°C / max +200°C)
Acciaio inox <i>Stainless steel</i> Stahl	UNI EN 10088 1.4401 (min -195°C / max +450°C)

CONNESSIONI STANDARD
STANDARD CONNECTIONS
STANDARDANSCHLUSSE

In	Out
G.3/8" ISO 228	/
G.1/2" ISO 228	/

GUARNIZIONI
GASKET
DICHTUNG

N.B.R. (Standard)	-10 / +100 °C
E.P.D.M.	-50 / +150 °C
VITON	-20 / +200 °C
SILICONE	-60 / +200 °C
TEFLON	-100 / +180 °C
METALLICA	-195 / +450 °C

TABELLA DI PORTATA
TABLE OF DELIVERIES
LEISTUNGSTABELLE

Ps bar	Aria Air Luft	Aria Air Luft	Aria Air Luft
	kg/h (0°C)	mc/h (0°C)	l/min (0°C)
1	98	76	1261
2	160	124	2058
3	229	177	2950
4	287	222	3704
5	346	268	4459
6	404	313	5214
7	463	358	5968
8	521	403	6723
9	580	449	7477
10	639	494	8232
11	697	539	8987
12	756	584	9741
13	814	630	10496
14	873	675	11250
15	931	720	12005
16	990	766	12759
17	1048	811	13514
18	1107	856	14269
19	1165	901	15023
20	1224	947	15778
21	1282	992	16532
22	1341	1037	17287
23	1399	1082	18042
24	1458	1128	18796
25	1517	1173	19551
26	1575	1218	20305
27	1634	1264	21060
28	1692	1309	21815
29	1751	1354	22569
30	1809	1399	23324

CONNESSIONI SPECIALI
SPECIAL CONNECTIONS
SPEZIELLEN ANSCHLUESSEN

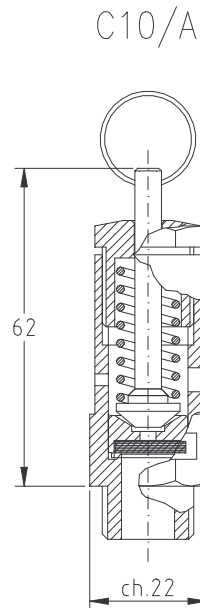
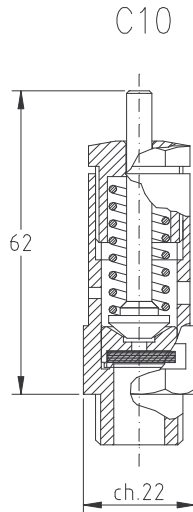
	In	Out
R.3/8" ISO 7		N.D.
R.1/2" ISO 7		N.D.
3/8" NPT		N.D.
1/2" NPT		N.D.

A richiesta possono essere eseguiti collaudi dai più prestigiosi enti quali: ISPEL, TÜV, RINA, Bureau Veritas, ABS e Lloyd Register.

On request tests can be made by the most prestigious societies, such as: ISPELS, TÜV, RINA, Bureau Veritas, ABS and Lloyd Register.

Auf Wunsch kann man Betriebe wie ISPEL, TÜV, RINA, Bureau Veritas, ABS und Lloyd Register eine Abnahmebescheinigung fragen.

Note:



Omologazione <i>Homologation</i> Bestaetigt	CE IV[^] (ISPESL - TUV)	Sovrapressione <i>Overpressure</i> Über-unterdruck	10%
PN	25	Scarto in chiusura <i>Closing variation</i> Unterdruck	20%
k	0,68		
Diametro orifizio <i>Opening diameter</i> Innen durchmesser	10	Campo di taratura bar <i>Setting rang</i> Eichungsbereich	0,5 – 16,0

VERSIONE <i>VERSION</i> AUSFUHRUNG	MATERIALI <i>MATERIALS</i> MATERIAL
Ottone <i>Brass</i> Messing	UNI EN 12164 CW614N (min -50°C / max +200°C)
Acciaio inox <i>Stainless steel</i> Stahl	UNI EN 10088 1.4401 (min -195°C / max +450°C)

CONNESSIONI STANDARD <i>STANDARD CONNECTIONS</i> STANDARDANSCHLUSSE	
In	Out
G.3/8" ISO 228	/
G.1/2" ISO 228	/

GUARNIZIONI <i>GASKET</i> DICHTUNG	
N.B.R. (Standard)	-10 / +100 °C
E.P.D.M.	-50 / +150 °C
VITON	-20 / +200 °C
SILICONE	-60 / +200 °C
TEFLON	-100 / +180 °C

TABELLA DI PORTATA
TABEL OF DELIVERIES
LEISTUNGSTABELLE

Ps bar	Aria Air Luft	Aria Air Luft	Aria Air Luft
	kg/h (0°C)	mc/h (0°C)	l/min (0°C)
1	99	76	1272
2	150	116	1939
3	202	156	2605
4	254	196	3271
5	305	236	3938
6	357	276	4604
7	409	316	5271
8	461	356	5937
9	512	396	6603
10	564	436	7270
11	616	476	7936
12	667	516	8603
13	719	556	9269
14	771	596	9935
15	822	636	10602
16	874	676	11268
17			
18			
19			
20			
21			
22			
23			
24			
25			
26			
27			
28			
29			
30			

CONNESSIONI SPECIALI
SPECIAL CONNECTIONS
SPEZIELLEN ANSCHLUESSEN

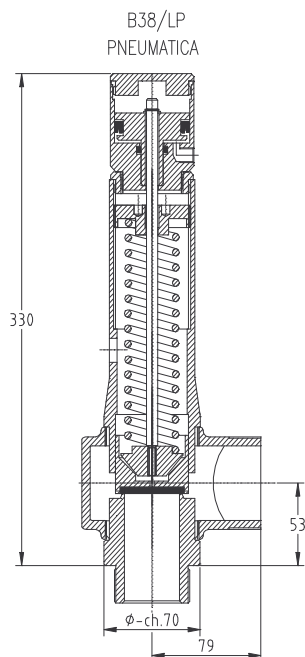
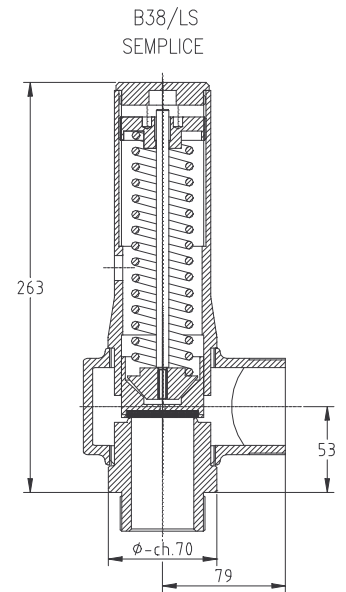
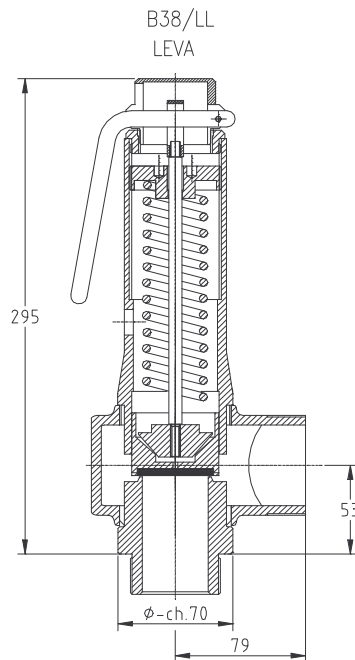
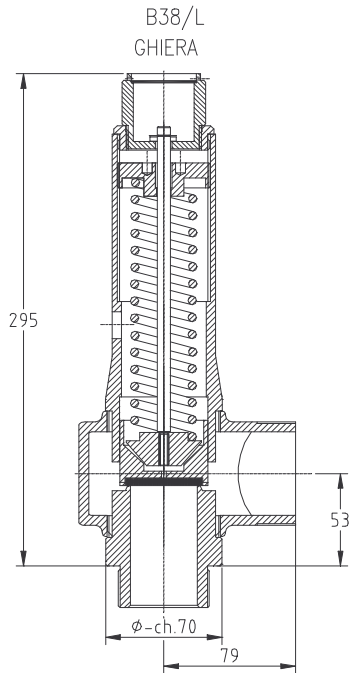
	In	Out
R.3/8" ISO 7		N.D.
R.1/2" ISO 7		N.D.
3/8" NPT		N.D.
1/2" NPT		N.D.

A richiesta possono essere eseguiti collaudi dai più prestigiosi enti quali: ISPEL, TÜV, RINA, Bureau Veritas, ABS e Lloyd Register.

On request tests can be made by the most prestigious societies, such as: ISPELS, TÜV, RINA, Bureau Veritas, ABS and Lloyd Register.

Auf Wunsch kann man Betriebe wie ISPEL, TÜV, RINA, Bureau Veritas, ABS und Lloyd Register eine Abnahmebescheinigung fragen.

Note:



Omologazione <i>Homologation</i> Bestaetigt	CE IV[^] (ISPESL - TUV)	Sovrapressione <i>Overpressure</i> Über-unterdruck	5%
PN	40	Scarto in chiusura <i>Closing variation</i> Unterdruck	20%
k	0,72	Campo di taratura bar <i>Setting rang</i> Eichungsbereich	0,5 – 30,0
Diametro orifizio <i>Opening diameter</i> Innen durchmesser	38		

VERSIONE <i>VERSION</i> AUSFUHRUNG	MATERIALI <i>MATERIALS</i> MATERIAL
Ottone <i>Brass</i> Messing	UNI EN 12164 CW614N (min -50°C / max +200°C)
Ottone – Acciaio inox <i>Brass – Stainless steel</i> Messing - Stahl	UNI EN 12164 CW614N – UNI EN 10088 1.4401 (min -50°C / max +200°C)
Acciaio inox <i>Stainless steel</i> Stahl	UNI EN 10088 1.4401 (min -195°C / max +450°C)

CONNESSIONI STANDARD <i>STANDARD CONNECTIONS</i> STANDARDANSCHLUSSE	
In	Out
G. 1 1/2" ISO 228	G. 2" ISO 228
G. 2" ISO 228	G. 2" ISO 228

GUARNIZIONI <i>GASKET</i> DICHTUNG	
N.B.R. (Standard)	-10 / +100 °C
E.P.D.M.	-50 / +150 °C
VITON	-20 / +200 °C
SILICONE	-60 / +200 °C
TEFLON	-100 / +180 °C
METALLICA	-195 / +450 °C

TABELLA DI PORTATA
TABEL OF DELIVERIES
LEISTUNGSTABELLE

Ps bar	Aria Air Luft	Vapore Saturo Saturated Steam Satter Dampf	Acqua Water Wasserdampf
	kg/h (0°C)	kg/h	kg/h (4°C)
1	1473	912	20229
2	2227	1375	28608
3	2982	1811	35037
4	3736	2257	40457
5	4490	2699	45233
6	5245	3119	49550
7	5999	3568	53520
8	6754	3996	57215
9	7508	4442	60686
10	8262	4863	63968
11	9017	5307	67091
12	9771	5721	70074
13	10526	6163	72935
14	11280	6605	75689
15	12034	7029	78345
16	12789	7469	80914
17	13543	7889	83405
18	14298	8329	85823
19	15052	8746	88174
20	15806	9184	90465
21	16561	9598	92699
22	17315	10035	94881
23	18070	10446	97013
24	18824	10854	99100
25	19578	11289	101143
26	20333	11724	103146
27	21087	12159	105111
28	21842	12594	107040
29	22596	13029	108934
30	23350	13464	110797

CONNESSIONI SPECIALI
SPECIAL CONNECTIONS
SPEZIELLEN ANSCHLUESSEN

In **Out**

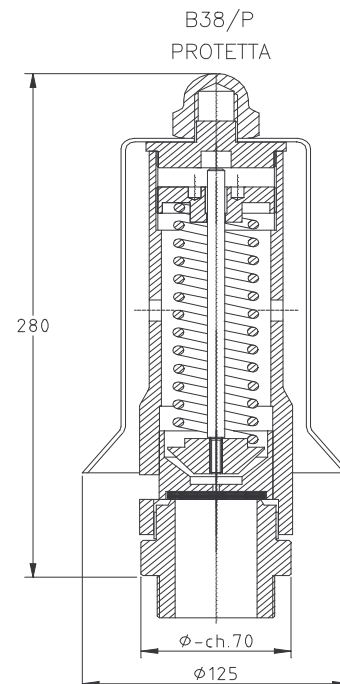
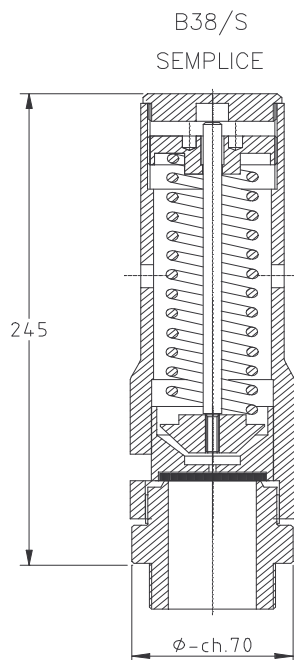
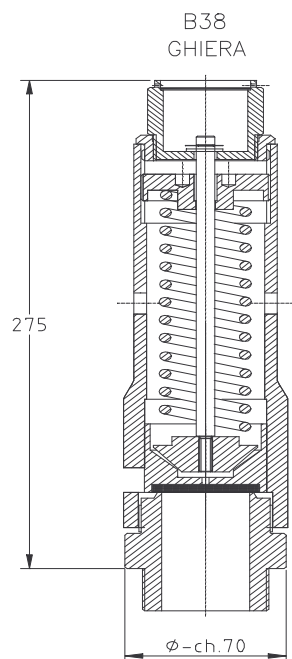
R.1"1/2 ISO 7		N.D.
R.2" ISO 7		N.D.
1"1/2 NPT		N.D.
2" NPT		N.D.
1"1/2 TRI CLAMP		N.D.
2" TRI CLAMP		
DN40 DIN 405 – DIN 11851		
DN50 DIN 405 – DIN 11851		
DN40 PN16 / 40 UNI 1"1/2 ANSI 150 / 300		N.D.
DN50 PN16 / 40 UNI 2" ANSI 150 / 300		
DN65 PN16 / 40 UNI 2"1/2 ANSI 150 / 300		

A richiesta possono essere eseguiti collaudi dai più prestigiosi enti quali: ISPEL, TÜV, RINA, Bureau Veritas, ABS e Lloyd Register.

On request tests can be made by the most prestigious societies, such as: ISPELS, TÜV, RINA, Bureau Veritas, ABS and Lloyd Register.

Auf Wunsch kann man Betriebe wie ISPEL, TÜV, RINA, Bureau Veritas, ABS und Lloyd Register eine Abnahmebescheinigung fragen.

Note:



Omologazione <i>Homologation</i> Bestaetigt	CE IV[^] (ISPESL - TUV)	Sovrapressione <i>Overpressure</i> Uber-unterdruck	5%
PN	40	Scarto in chiusura <i>Closing variation</i> Unterdruck	20%
k	0,72	Campo di taratura bar <i>Setting rang</i> Eichungsbereich	0,5 – 30,0
Diametro orifizio <i>Opening diameter</i> Innen durchmesser	38		

VERSIONE <i>VERSION</i> AUSFUHRUNG	MATERIALI <i>MATERIALS</i> MATERIAL
Ottone <i>Brass</i> Messing	UNI EN 12164 CW614N (min -50°C / max +200°C)
Ottone – Acciaio inox <i>Brass – Stainless steel</i> Messing - Stahl	UNI EN 12164 CW614N – UNI EN 10088 1.4401 (min -50°C / max +200°C)
Acciaio inox <i>Stainless steel</i> Stahl	UNI EN 10088 1.4401 (min -195°C / max +450°C)

CONNESSIONI STANDARD
STANDARD CONNECTIONS
STANDARDANSCHLUSSE

In	Out
G.1"1/2 ISO 228	/
G. 2" ISO 228	/

GUARNIZIONI
GASKET
DICHTUNG

N.B.R. (Standard)	-10 / +100 °C
E.P.D.M.	-50 / +150 °C
VITON	-20 / +200 °C
SILICONE	-60 / +200 °C
TEFLON	-100 / +180 °C
METALLICA	-195 / +450 °C

TABELLA DI PORTATA
TABEL OF DELIVERIES
LEISTUNGSTABELLE

Ps bar	Aria Air Luft	Aria Air Luft	Aria Air Luft
	kg/h (0°C)	mc/h (0°C)	l/min (0°C)
1	1473	1139	18988
2	2227	1723	28714
3	2982	2306	38439
4	3736	2890	48165
5	4490	3473	57891
6	5245	4057	67616
7	5999	4641	77342
8	6754	5224	87068
9	7508	5808	96793
10	8262	6391	106519
11	9017	6975	116245
12	9771	7558	125970
13	10526	8142	135696
14	11280	8725	145422
15	12034	9309	155147
16	12789	9892	164873
17	13543	10476	174599
18	14298	11059	184324
19	15052	11643	194050
20	15806	12227	203776
21	16561	12810	213501
22	17315	13394	223227
23	18070	13977	232953
24	18824	14561	242678
25	19578	15144	252404
26	20333	15728	262129
27	21087	16311	271855
28	21842	16895	281581
29	22596	17478	291306
30	23350	18062	301032

CONNESSIONI SPECIALI
SPECIAL CONNECTIONS
SPEZIELLEN ANSCHLUESSEN

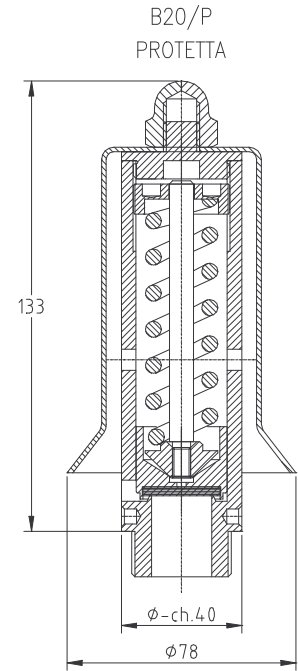
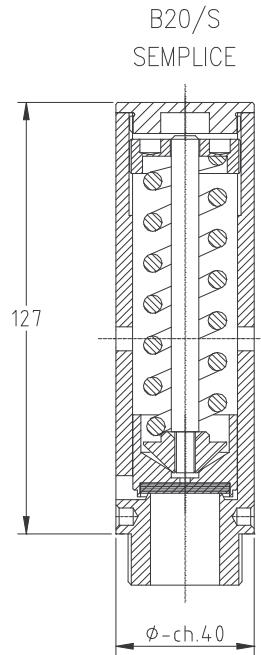
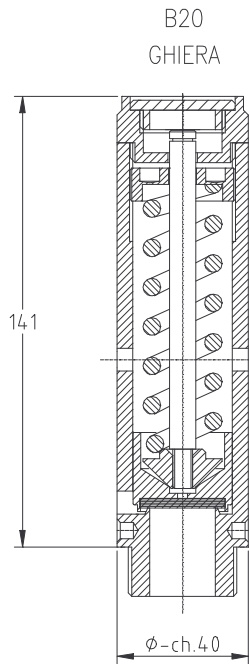
	In	Out
R.1"1/2 ISO 7		N.D.
R.2" ISO 7		N.D.
1"1/2 NPT		N.D.
2" NPT		N.D.
1"1/2 TRI CLAMP		N.D.
2" TRI CLAMP		N.D.
DN40 DIN 405 – DIN 11851		N.D.
DN50 DIN 405 – DIN 11851		N.D.
DN40 PN16 / 40 UNI		N.D.
1"1/2 ANSI 150 / 300		N.D.
DN50 PN16 / 40 UNI		N.D.
2" ANSI 150 / 300		N.D.
DN65 PN16 / 40 UNI		N.D.
2"1/2 ANSI 150 / 300		N.D.

A richiesta possono essere eseguiti collaudi dai più prestigiosi enti quali: ISPEL, TÜV, RINA, Bureau Veritas, ABS e Lloyd Register.

On request tests can be made by the most prestigious societies, such as: ISPELS, TÜV, RINA, Bureau Veritas, ABS and Lloyd Register.

Auf Wunsch kann man Betriebe wie ISPEL, TÜV, RINA, Bureau Veritas, ABS und Lloyd Register eine Abnahmebescheinigung fragen.

Note:



Omologazione <i>Homologation</i> Bestaetigt	CE IV[^] (ISPESL - TUV)	Sovrapressione <i>Overpressure</i> Über-unterdruck	5%
PN	40	Scarto in chiusura <i>Closing variation</i> Unterdruck	20%
k	0,72	Campo di taratura bar <i>Setting rang</i> Eichungsbereich	0,5 – 30,0
Diametro orifizio <i>Opening diameter</i> Innen durchmesser	20		

VERSIONE <i>VERSION</i> AUSFUHRUNG	MATERIALI <i>MATERIALS</i> MATERIAL
Ottone <i>Brass</i> Messing	UNI EN 12164 CW614N (min -50°C / max +200°C)
Ottone – Acciaio inox <i>Brass – Stainless steel</i> Messing - Stahl	UNI EN 12164 CW614N – UNI EN 10088 1.4401 (min -50°C / max +200°C)
Acciaio inox <i>Stainless steel</i> Stahl	UNI EN 10088 1.4401 (min -195°C / max +450°C)

CONNESSIONI STANDARD
STANDARD CONNECTIONS
STANDARDANSCHLUSSE

In	Out
G. 1" ISO 228	/

GUARNIZIONI
GASKET
DICHTUNG

N.B.R. (Standard)	-10 / +100 °C
E.P.D.M.	-50 / +150 °C
VITON	-20 / +200 °C
SILICONE	-60 / +200 °C
TEFLON	-100 / +180 °C
METALLICA	-195 / +450 °C

TABELLA DI PORTATA
TABEL OF DELIVERIES
LEISTUNGSTABELLE

Ps bar	Aria Air Luft	Aria Air Luft	Aria Air Luft
	kg/h (0°C)	mc/h (0°C)	l/min (0°C)
1	408	316	5260
2	617	477	7954
3	826	639	10648
4	1035	801	13342
5	1244	962	16036
6	1453	1124	18730
7	1662	1285	21424
8	1871	1447	24118
9	2080	1609	26813
10	2289	1770	29507
11	2498	1932	32201
12	2707	2094	34895
13	2916	2255	37589
14	3125	2417	40283
15	3334	2579	42977
16	3543	2740	45671
17	3752	2902	48365
18	3961	3064	51059
19	4170	3225	53753
20	4379	3387	56448
21	4587	3548	59142
22	4796	3710	61836
23	5005	3872	64530
24	5214	4033	67224
25	5423	4195	69918
26	5632	4357	72612
27	5841	4518	75306
28	6050	4680	78000
29	6259	4842	80694
30	6468	5003	83388

CONNESSIONI SPECIALI
SPECIAL CONNECTIONS
SPEZIELLEN ANSCHLUESSEN

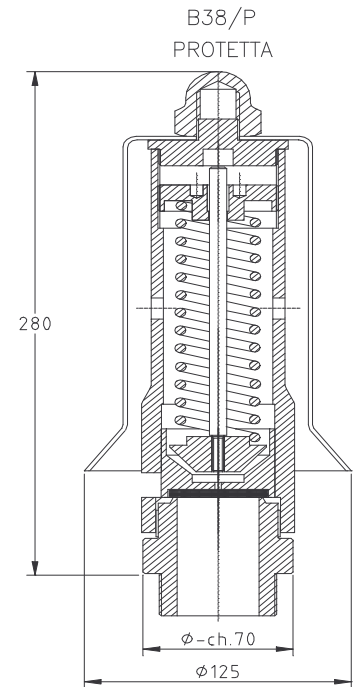
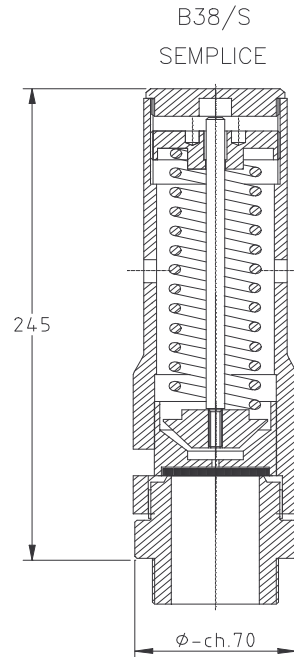
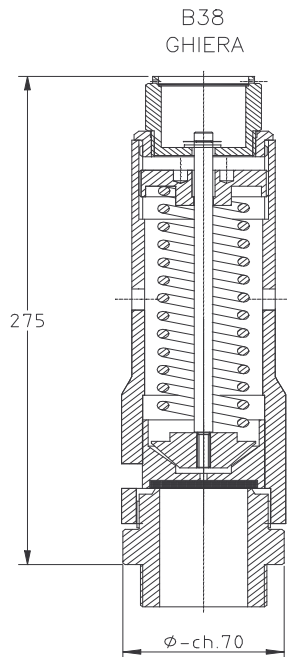
	In	Out
R.1" ISO 7		N.D.
1" NPT		N.D.
1" TRI CLAMP		N.D.
1"1/2 TRI CLAMP		N.D.
DN25 DIN 405 – DIN 11851		N.D.
DN32 DIN 405 – DIN 11851		N.D.
DN25 PN16 / 40 UNI 1" ANSI 150 / 300		N.D.

A richiesta possono essere eseguiti collaudi dai più prestigiosi enti quali: ISPESL, TÜV, RINA, Bureau Veritas, ABS e Lloyd Register.

On request tests can be made by the most prestigious societies, such as: ISPELS, TÜV, RINA, Bureau Veritas, ABS and Lloyd Register.

Auf Wunsch kann man Betriebe wie ISPESL, TÜV, RINA, Bureau Veritas, ABS und Lloyd Register eine Abnahmebescheinigung fragen.

Note:



Omologazione <i>Homologation</i> Bestaetigt	CE IV[^] (ISPESL - TUV)	Sovrapressione <i>Overpressure</i> Uber-unterdruck	5%
PN	40	Scarto in chiusura <i>Closing variation</i> Unterdruck	20%
k	0,72	Campo di taratura bar <i>Setting rang</i> Eichungsbereich	0,5 – 30,0
Diametro orifizio <i>Opening diameter</i> Innen durchmesser	38		

VERSIONE <i>VERSION</i> AUSFUHRUNG	MATERIALI <i>MATERIALS</i> MATERIAL
Ottone <i>Brass</i> Messing	UNI EN 12164 CW614N (min -50°C / max +200°C)
Ottone – Acciaio inox <i>Brass – Stainless steel</i> Messing - Stahl	UNI EN 12164 CW614N – UNI EN 10088 1.4401 (min -50°C / max +200°C)
Acciaio inox <i>Stainless steel</i> Stahl	UNI EN 10088 1.4401 (min -195°C / max +450°C)

CONNESSIONI STANDARD
STANDARD CONNECTIONS
STANDARDANSCHLUSSE

In	Out
G. 1 1/2 ISO 228	/
G. 2" ISO 228	/

GUARNIZIONI
GASKET
DICHTUNG

N.B.R. (Standard)	-10 / +100 °C
E.P.D.M.	-50 / +150 °C
VITON	-20 / +200 °C
SILICONE	-60 / +200 °C
TEFLON	-100 / +180 °C
METALLICA	-195 / +450 °C

TABELLA DI PORTATA
TABLE OF DELIVERIES
LEISTUNGSTABELLE

Ps bar	Aria Air Luft	Aria Air Luft	Aria Air Luft
	kg/h (0°C)	mc/h (0°C)	l/min (0°C)
1	1473	1139	18988
2	2227	1723	28714
3	2982	2306	38439
4	3736	2890	48165
5	4490	3473	57891
6	5245	4057	67616
7	5999	4641	77342
8	6754	5224	87068
9	7508	5808	96793
10	8262	6391	106519
11	9017	6975	116245
12	9771	7558	125970
13	10526	8142	135696
14	11280	8725	145422
15	12034	9309	155147
16	12789	9892	164873
17	13543	10476	174599
18	14298	11059	184324
19	15052	11643	194050
20	15806	12227	203776
21	16561	12810	213501
22	17315	13394	223227
23	18070	13977	232953
24	18824	14561	242678
25	19578	15144	252404
26	20333	15728	262129
27	21087	16311	271855
28	21842	16895	281581
29	22596	17478	291306
30	23350	18062	301032

CONNESSIONI SPECIALI
SPECIAL CONNECTIONS
SPEZIELLEN ANSCHLUESSEN

	In	Out
R.1"1/2 ISO 7		N.D.
R.2" ISO 7		N.D.
1"1/2 NPT		N.D.
2" NPT		N.D.
1"1/2 TRI CLAMP		N.D.
2" TRI CLAMP		N.D.
DN40 DIN 405 – DIN 11851		N.D.
DN50 DIN 405 – DIN 11851		N.D.
DN40 PN16 / 40 UNI 1"1/2 ANSI 150 / 300		N.D.
DN50 PN16 / 40 UNI 2" ANSI 150 / 300		N.D.
DN65 PN16 / 40 UNI 2"1/2 ANSI 150 / 300		N.D.

A richiesta possono essere eseguiti collaudi dai più prestigiosi enti quali: **ISPEL, TÜV, RINA, Bureau Veritas, ABS e Lloyd Register.**

On request tests can be made by the most prestigious societies, such as: ISPELS, TÜV, RINA, Bureau Veritas, ABS and Lloyd Register.

Auf Wunsch kann man Betriebe wie ISPEL, TÜV, RINA, Bureau Veritas, ABS und Lloyd Register eine Abnahmebescheinigung fragen.

Note:

