



## SISTORE AX9 / AX16 (V3) Digital Video Recorder

AX9 250/200  
AX16 250/200

- Efficient video compression through “MPEG4 technology”
- Easy-to-use graphical interface, including RAS remote software
- Recording speed up to 200 Images per Second (240 for NTSC)
- Operation and configuration locally via front buttons and mouse, or remotely via included RAS software
- 4 Spot monitor outputs
- Individual authorization for groups and users
- Triplex monitoring: Display live video while in Search mode
- 4 channel audio recording and playback
- Text input interface, e. g. to connect ATM (Automatic Teller Machine) or POS (Point of Sales) devices
- Dual Encoding: Flexible transfer speed when transmitting over the network
- Support of 10 languages

The SISTORE AX is an entry-level stand-alone Digital Video Recorder (DVR), suitable for a wide range of applications, e.g. for gas filling stations, retail outlets or public buildings. It offers installers and end-users a compact, low-maintenance video recording system, combining fast recording with a great deal of functionality.

- **Remote access**

Various network interfaces, e.g. Ethernet, DSL or modem, allow remote access to the system. Monitoring, playback, configuration, upgrade, system check and PTZ control is possible via RAS software.

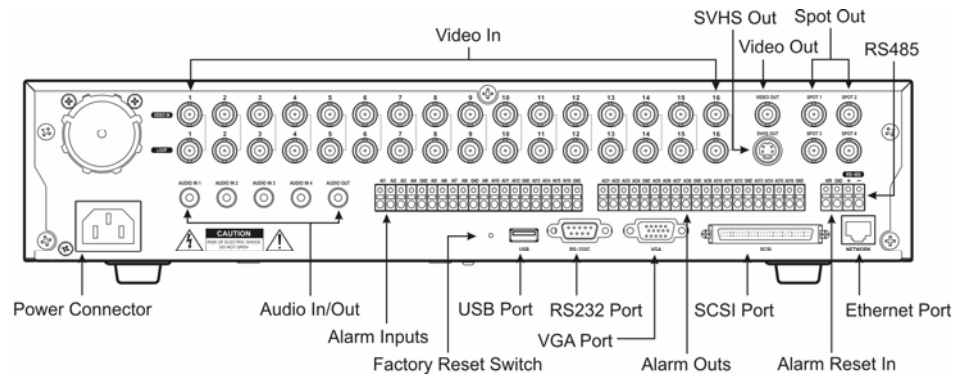
- **Secure images**

Chained Fingerprint enabling a solid chain of evidence prevents the images from being altered or modified.

- **Clip-Copy**

Copy video clips to an internal CD-RW or external USB device, no special software required for the review of the video clips on a PC.

## Connection diagram



## Technical data

### SISTORE AX9 250/200 / AX16 250/200

#### Monitoring

Video inputs	Composite: 9 / 16 Looping, BNC, PAL/NTSC (auto detection)
Video outputs	1 Composite, 1 SVHS, 1 VGA, 4 SPOT
Display resolution	720x576 (PAL), 720x480 (NTSC)

#### In / Out

Audio In / Out	4 / 1 RCA
Alarm inputs	9 / 16 (NO or NC)
Alarm outputs	9 / 16 (open collector: 5mA@12 V, 30mA@5V)
Network	Ethernet, DSL, external modem
Auxiliary In / Out	RS232, RS485, 3 USB 2.0, SCSI
User interface	Front buttons, remote keyboard, mouse, IR remote control
User administration	64 groups, 256 users per group (access right is programmable for each group)

#### Record & Playback

Compression	MPEG4 Technology (Video), ADPCM (Audio)
Recording speed	Up to 200 ips (PAL), up to 240 ips (NTSC)
Recording resolution	CIF, 2CIF
Recording mode	Time-Lapse, Event, Pre-Event (up to 30 min), Text-In, Panic
Search mode	Date/Time, Calendar, Event, Motion, Museum, Text-In

#### System

Operating System	Embedded Linux (built-in Flash Memory)
Storage	Max. 3 HDDs, optionally SCSI HDD (RAID)
Data Export	Built-in CD-RW, USB (HDD, CD-RW, FlashDrive)
Disk Management	Temperature check, SMART diagnosis, operation w/o HDD

#### Specifications

Power supply	100 to 230 VAC, 2 A, 60/50Hz
Power input	max. 85W (120W when 3 hard disk drives are installed)
Operating temperature	+5 to +40 °C (41 to 104 °F)
Relative Humidity	0 to 90 % (non-condensing)
Version	19-inch rack, 2U
Dimensions (W x H x D)	430 mm x 88 mm x 405 mm
Approvals	CE, UL, FCC

## Ordering information

Type	Order no.	Designation	Weight
AX9 250/200	2GF4816-8EA	Digital Recorder, 9 cameras, 250 GB, 200 ips	10,2 kg
AX16 250/200	2GF4816-8FA	Digital Recorder, 16 cameras, 250 GB, 200 ips	10,2 kg