



The VideoJet 100 is a versatile, high performance, one channel video server that transmits or receives video, audio and data over LANs and WANs using H.323 or MPEG-4 compression (selectable by software upload).

For applications where local recording is desirable the video server also comes with an integral 20 GB hard disk.

Thanks to the built-in motion detector any significant changes to the picture trigger an alarm. Besides establishing an automatic connection with the control centre, the VideoJet 100 can also send an email, or an SMS to a mobile phone.

All the VideoJet 100's settings and evaluation functions can be accessed through a standard browser or a VCS software decoder. The server has two bidirectional interfaces (RS232/422/485) allowing the remote control of external devices. Four alarm inputs, a master alarm and four relay outputs complete the device.

### HIGHLIGHTS

- ❑ 1-channel stand-alone encoder or decoder
- ❑ H.323 or MPEG-4 video with 2CIF resolution
- ❑ M-JPEG with 720x576/480 pixel
- ❑ Sophisticated motion detection
- ❑ Internal hard disk recording (optional)
- ❑ Comprehensive security features
- ❑ Multicasting
- ❑ Streaming
- ❑ DHCP for automatic IP address assignment
- ❑ FastEthernet 10/100 Base-T
- ❑ 4 alarm inputs, 1 master alarm & 4 relay outputs
- ❑ 2 serial data ports for peripheral control

# TECHNICAL DATA

## Specifications

Standards	H.323 (selectable by SW upload) MPEG-4
Video Standards	H.261/H.263, M-JPEG (selectable by SW upload) MPEG-4, M-JPEG
Audio Standards	G.711; 300 Hz - 3.4 kHz
Video Data Rate	10 kBit/s - 1 MBit/s
Audio Data Rate	80 kBit/s
Video Encoder/ Decoder	704 x 288 2CIF 352 x 288 CIF 176 x 144 QCIF
Audio Encoder/ Decoder	Sampling rate: 8 kHz
Network Protocols	RTP, RTCP, UDP, TCP, IP, HTTP, IGMP, ICMP, ARP, DHCP, FTP
Software Update	Flash ROM, remote programmable
Configuration	Via Web browser, built-in Web server

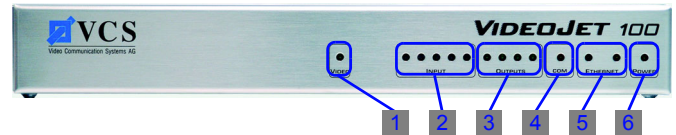
## Interfaces

Video In (Encoder only)	1 x analog composite: NTSC or PAL; BNC connector 75 Ω switchable, 0.7-1.2 Vpp
Video Out (Decoder only)	1 x analog composite: NTSC or PAL; BNC connector 75 Ω, 1 Vpp
Audio In	1 x microphone input, mono jack 3.5 mm, 50 mVpp, ca. 1 kΩ
Audio Out	1 x loudspeaker output, mono jack 3.5 mm, 2.8 Vpp, 60 mW, min. min. 8 Ω
Trigger Inputs	4 x clamp (opto-isolated input), 5-12 V 1 x master alarm (non-isolated closure contact type), max. 24 V, max. activation resistance 10 Ω (e.g. for key switches)
Relay Outputs	4 x clamp, max. 40 V, 0.8 A
COM-Ports	1 x RS232/422/485, 9-pin Sub-D 1 x RS232, 9-pin Sub-D
Ethernet	10/100 Base-T, autosensing, half/full duplex, RJ45

## Power, Environmental, Approvals

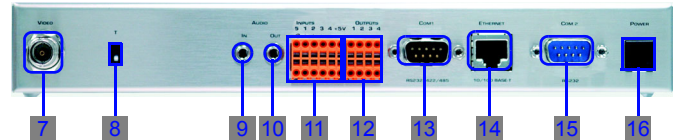
Input Voltage	EU: 230 VAC, 12 VA, 50 Hz, plug-in power supply USA: 120 VAC, 12 VA, 60 Hz, plug-in power supply
Power Consumption	10 VA
Weight	1.05 kg w/o HD, 1.15 kg with HD (w/o power supply)
Operating Temperature	5 - 40 °C ambient temperature
Humidity	20 - 80%, atmospheric humidity (not cond.)
Approvals	CE; EN 55103-1,-2; EN 55130-4; EN 55022, EN 55024; EN 61000-3-2; EN 61000-3-3; TÜVus; QAS; cTÜVus; FCC 47 CFR Ch.1 Part 15

## Front



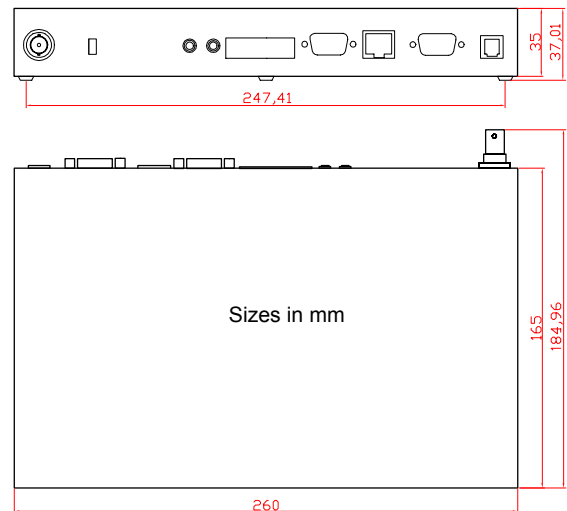
- |                    |                     |
|--------------------|---------------------|
| 1 LED VIDEO        | 4 LED COM           |
| 2 LEDs INPUTS (5)  | 5 LEDs ETHERNET (2) |
| 3 LEDs OUTPUTS (4) | 6 LED POWER         |

## Rear



- |                                      |                               |
|--------------------------------------|-------------------------------|
| 7 Video input or output              | 12 Relay outputs (4)          |
| 8 75Ω video termination on/off       | 13 COM port RS232/422/485     |
| 9 Audio input                        | 14 FastEthernet 10/100 Base-T |
| 10 Audio output                      | 15 COM port RS232             |
| 11 Alarm inputs (4) and master alarm | 16 Power                      |

## Dimensions



# ORDERING INFORMATION

Article-Code	Description
2901	VideoJet 100 <sup>S</sup> Encoder w/o HD
2921	VideoJet 100 <sup>SF</sup> Encoder with internal HD
2931	VideoJet 100 <sup>E</sup> Decoder
On request	Web Toolkit, VCS SDK, RCP/RCP+ Reference

## Content of Delivery

- VideoJet 100 Encoder or Decoder, incl. plug-in power supply (EU, UK, US or AUS)
- RS232 Null modem cable, Wall mount kit
- 'Quick Installation Guide' (german/english)
- CD-Rom with manual (german/english) and VCS software



Video Communication Systems AG

Forchheimer Strasse 4  
90425 Nuremberg/Germany  
Phone: +49-911-93 456-0  
Fax: +49-911-93 456-66

E-mail: info@vcs.com  
Internet: http://www.vcs.com