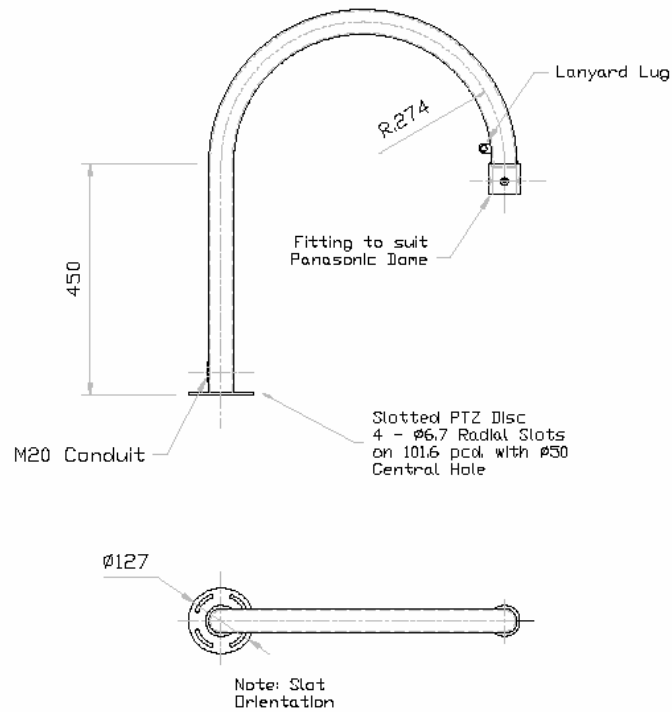


CW960SN



MATERIAL:
 $\phi 48.3 \times 3.2$ WT MS TUBE

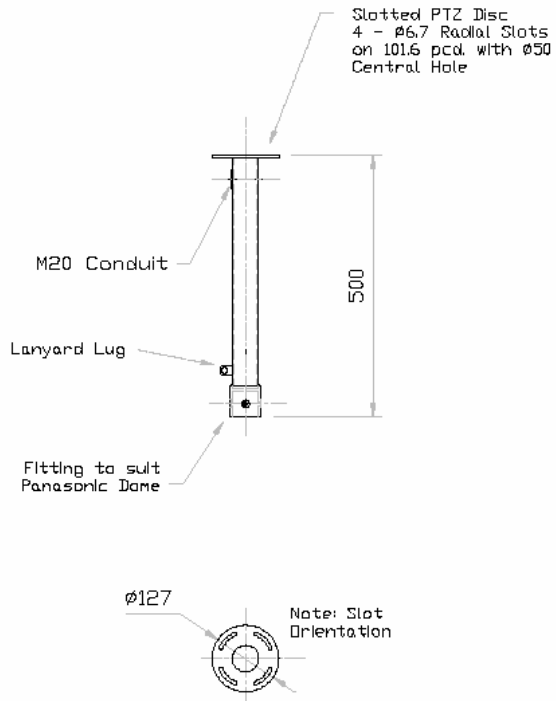
FINISH:
Powder Coated D610 MW5001
Silver Gloss

FIXING KIT:

- 4 - M6 Hex Hd Setscrew x 20 lg
- 4 - M6 Hex Full Nuts
- 4 - M6 Plain Washers
- 4 - M6 Spring Washers
- All to be St Stl Grade A2
- 1 - M20 Conduit Blanking Plug



CW960PM

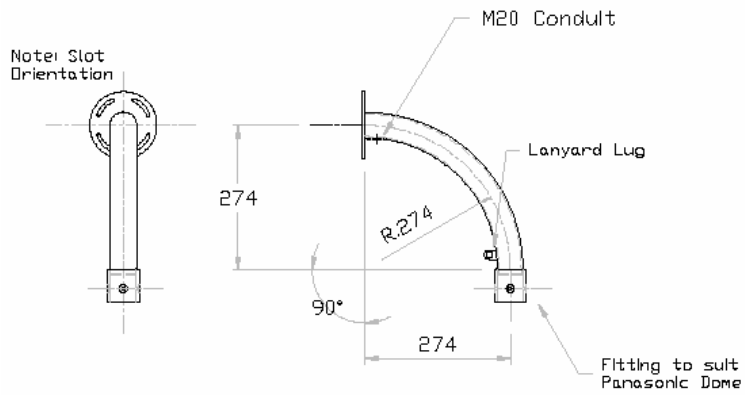


MATERIAL:
 $\phi 48.3 \times 3.2$ WT MS TUBE
FINISH:
Powder Coated D610 MW5001
Silver Gloss

FIXING KIT:
1 - M20 Conduit Blanking Plug



CW960WB



Slotted PTZ Disc
4 - $\varnothing 6.7$ Radial Slots
on 101.6 pcd. with $\varnothing 50$
Central Hole

$\varnothing 127$

6

MATERIAL:
 $\varnothing 48.3 \times 3.2$ WT MS TUBE

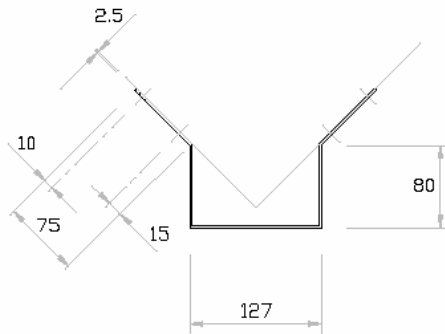
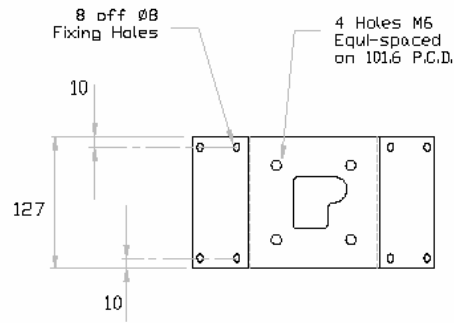
FINISH:
Powder Coated D610 MW5001
Silver Gloss

FIXING KIT:

1 - M20 Conduit Blanking Plug



CW960CM use with CW960WB



MATERIAL:
2.5mm Thk MS

FINISH:
Powder Coated D610 MW5001
Silver Gloss

FIXING KIT:

- 4 - M6 Hex Hd Setscrew x 20 lg
- 4 - M6 Plain Washers

All to be St Stl Grade A2