

## TG2Z2814FCS-2

VARI FOCAL 2X 2.8 ~ 6.0 mm F1.4

for 1/3" format cameras

CS-Mount

with Focus, w/o Amplifier

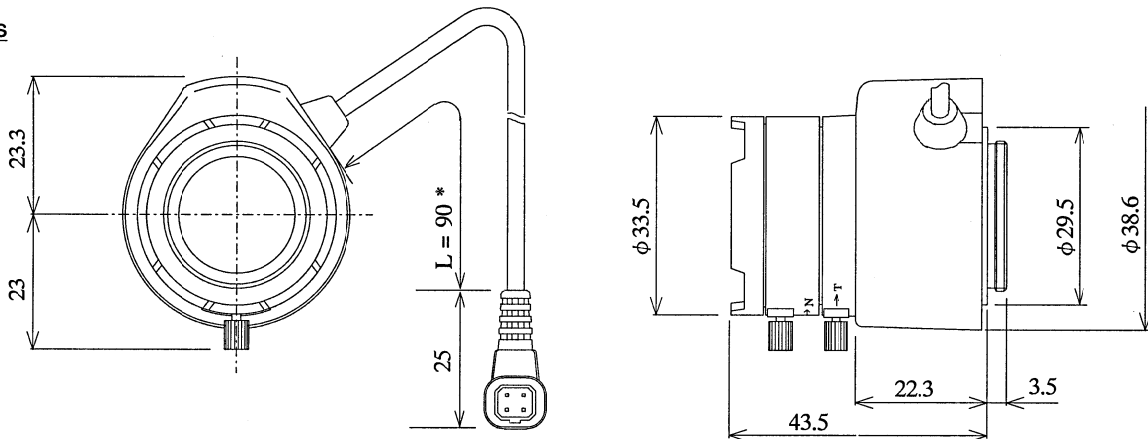
<b>Model No.</b>	TG2Z2814FCS-2		<b>Effective</b>	<b>Front</b>	φ 18.2 mm
<b>Focal Length</b>	2.8 ~ 6 mm		<b>Lens Aperture</b>	<b>Rear</b>	φ 9.2 mm
<b>Max. Aperture Ratio</b>	1 : 1.4		<b>Back Focal</b>	<b>Tele</b>	12.8 mm
<b>Max. image format size</b>	4.8 x 3.6 mm (φ 6 mm)		<b>Length</b>	<b>Wide</b>	8.3 mm
<b>Operation</b>	<b>Iris</b>	Auto Iris F1.4 ~ 360	<b>Flange Back</b>	12.5 mm	
	<b>Focus</b>	Manual, 0.3 m ~ Inf.	<b>Mount</b>	CS-Mount	
	<b>Zoom</b>	Manual, 2.8 ~ 6 mm	<b>Front Filter Size</b>	-	
<b>Object Dimension</b>	<b>2.8 mm</b>	66.6 x 43.4 cm	<b>Out Side Dimension</b>	φ 33.5 x 42.6 x 43.5 mm	
	<b>at M.O.D. 6.0 mm</b>	26.2 x 19.1 cm	<b>Weight</b>	50 g	
<b>Angle of View</b>	<b>D</b>	120.0° ~ 58.8°			
	<b>H</b>	1/3" 96.0° ~ 47.2°			
	<b>V</b>	71.8° ~ 35.4°			
<b>Coil</b>	<b>Drive</b>	190 ohm			
	<b>Control</b>	855 ohm			
<b>Operating Temperature</b>	-20° C ~ +50° C				

1/3

CS

M.O.D. : Minimum Object Distance

Dimensions

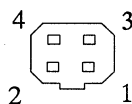


\* : 310mm cable is available

AG

Z

Wiring Diagram



Pin No.

1	Brown	Control (-)
2	Red	Control (+)
3	Yellow	Drive (+)
4	Orange	Drive (-)

SP