

## TG2Z2814AFCS-2

VARI FOCAL 2X 2.8 ~ 6 mm F1.4

for 1/3" format cameras

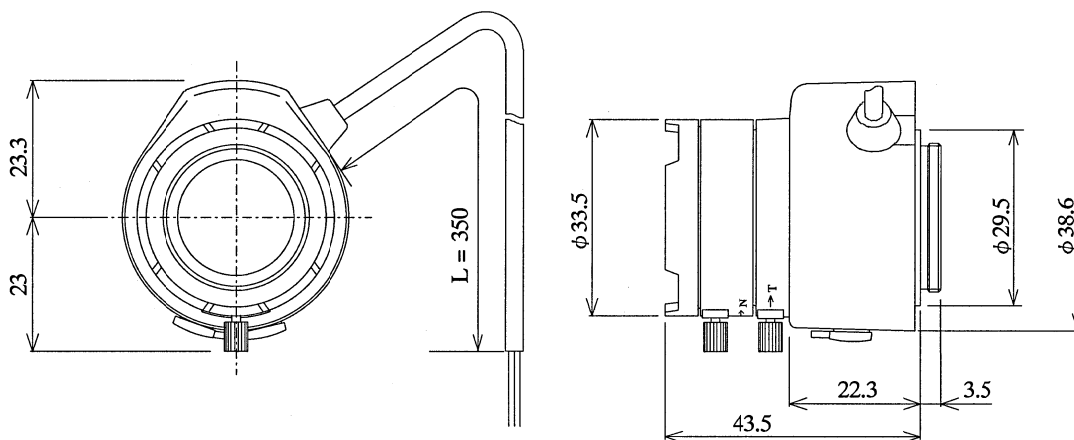
CS-Mount

with Focus, with Amplifier

<b>Model No.</b>	TG2Z2814AFCS-2	<b>Effective</b>	<b>Front</b>	φ 18.2 mm	
<b>Focal Length</b>	2.8 ~ 6mm	<b>Lens Aperture</b>	<b>Rear</b>	φ 9.2 mm	
<b>Max. Aperture Ratio</b>	1 : 1.4	<b>Back Focal</b>	<b>Tele</b>	12.8 mm	
<b>Max. image format size</b>	4.8 x 3.6mm(φ 6 mm)	<b>Length</b>	<b>Wide</b>	8.3 mm	
<b>Operation</b>	<b>Iris</b>	Auto Iris F1.4 ~ 360		<b>Flange Back</b>	
	<b>Focus</b>	Manual, 0.3 m ~ Inf.		12.5 mm	
	<b>Zoom</b>	Manual, 2.8 ~ 6 mm		<b>Mount</b>	
<b>Object Dimension</b>	<b>2.8 mm</b>	66.6 x 43.4 cm		<b>Out Side Dimension</b>	
<b>at M.O.D.</b>	<b>6.0 mm</b>	26.2 x 19.1 cm		φ 33.5 x 42.6 x 43.5 mm	
<b>Angle of View</b>	<b>D</b>	120.0° ~ 58.8°		<b>Weight</b>	
	<b>H</b>	1/3" 96.0° ~ 47.2°			55 g
	<b>V</b>	71.8° ~ 35.4°			
<b>Supply Voltage</b>	DC8 ~ 16V				
<b>Current</b>	Less Than 35mA				
<b>Transit Time</b>	Approx. 2 sec				
<b>Light Weighting Method</b>	Adjustable between Average-Peak (to be set at Average at factory)				
<b>Input Signal</b>	Video Signal (V or VS)				
<b>Iris Accuracy</b>	+/- 15% at Video Signal Level				
<b>Sensitivity Adjustment</b>	0.5 ~ 1.0Vp-p (Video Signal)				
<b>Input Impedance</b>	High Impedance				
<b>Operating Temperature</b>	-20° C ~ +50° C				

M.O.D. : Minimum Object Distance

Dimensions



Wiring Diagram

