

# Video Security



Monitors | Mounts fo TFT/LCD Monitors

## HCS775

Wall/Ceiling Bracket for LCD Monitors  
15"/17"/19"



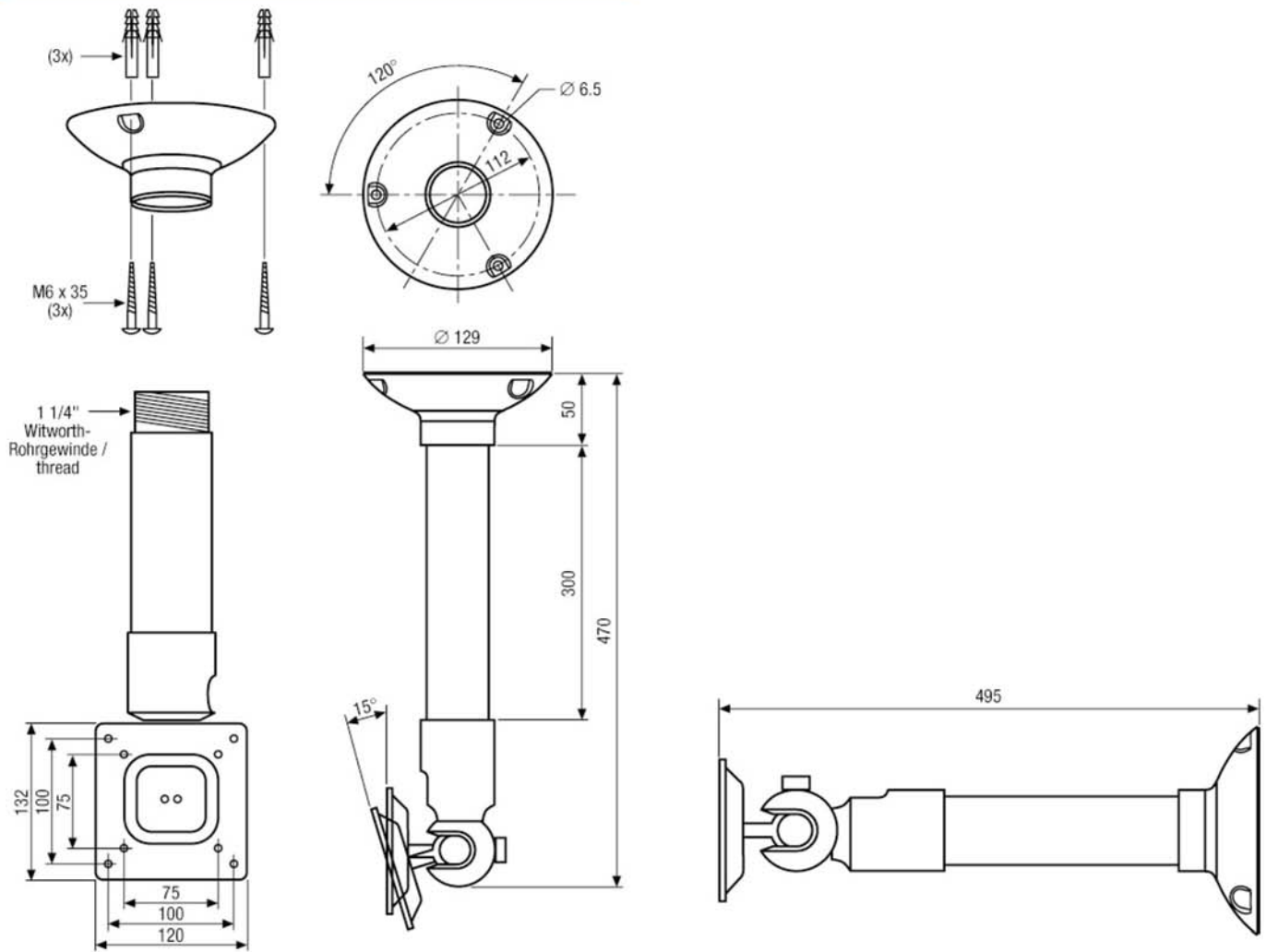
### Features

**For Wall/Ceiling Mount of LCD Monitors 15" to 19"**  
**Rugged Aluminium Construction**

**Swivel head with Large Adjustment Range**  
**Ready for Installation**

### Specifications

<b>Material</b>	Aluminium
<b>Colour</b>	Black
<b>Dimensions (HxWxD)</b>	See drawing
<b>Turning range of the swivel head</b>	180°
<b>Tilt range</b>	Approx. -5° to +15°
<b>Load capacity</b>	9 kg
<b>Weight</b>	2 kg



Maße/Dimensions: mm

CCTV Center C/361  
 6 Urbanización la vallesa · 46182 La Cañada. Valencia  
 Phone +34 96 132 11 01 · Fax +34 96 132 11 08  
 ventas@cctvcentersl.es · www.cctvcentersl.es

