

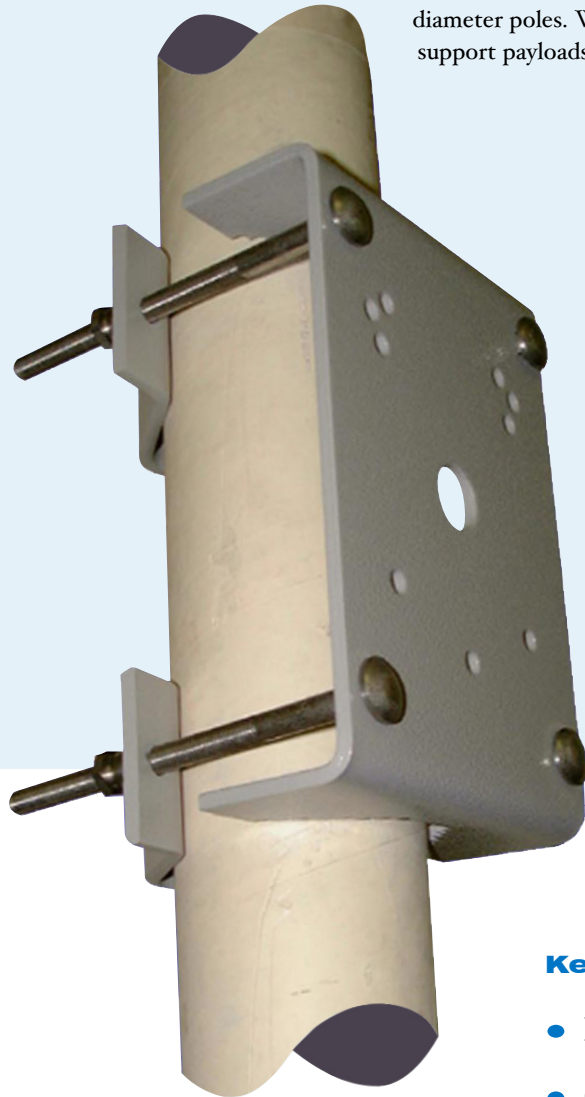
## TYPE 160-165 MOUNTING BRACKET

### Description

The type 160-165 has been designed as a functional outdoor pole bracket mount, for type 508 camera housings and 554/556 dome combinations.

**Type 160** pole bracket mount is constructed from mild steel, zinc plated and painted as standard. Supporting payloads not exceeding 15kg.

**Type 165** is similar to the type 160 but caters for larger diameter poles. With the type 642 wall bracket fitted it can support payloads of up to 25 kg.



### Key features:

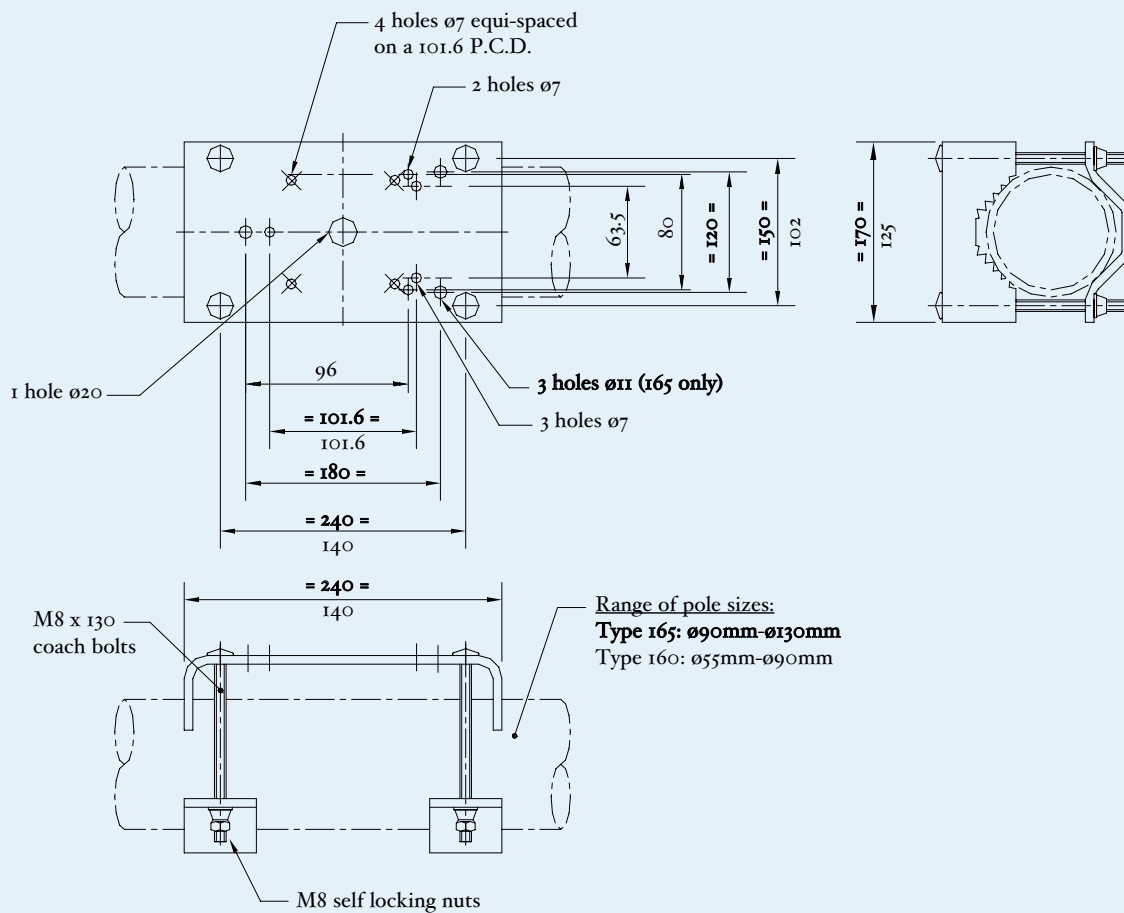
- Robustly constructed
- Constructed from mild steel, zinc plated and painted
- Large pole dia range
- Payloads of up to 25kg
- Vandal resistant clamp fixings

# Dennard

FOR FURTHER INFORMATION or TO ORDER call +44(0)1252 614884  
or go to..www.dennard-cctv.com or email: sales@dennard-cctv.com

# 6

**TYPE 160-165 MOUNTING BRACKET**



ALL DIMENSIONS IN mm

**SPECIFICATION**

	Type 160	Type 165
Material	Mild steel	Mild steel
Finish	Zinc plated and painted	Zinc plated and painted
Maximum load	15kg	25kg

**PAYLOAD OPTIONS**

428 bracket	428 bracket
	642 bracket
508 housing	508 housing
554 dome	554 dome
556 dome	556 dome
2010 housing	2010 housing
2050 dome	2050 dome



Dennard Ltd 55 Fleet Road Fleet Hants GU51 3PN



T. +44(0)1252 614884 F. +44(0)1252 626013 email: sales@dennard-cctv.com

The information contained in this document is for guidance only. Specification and availability of the goods are subject to change without notice.