

DOME CAMERAS

Vandal Proof Super Dynamic II Colour Cameras with Low-Light B/W Mode

WV-CW470A Series

WV-CW470AS (AC220V - 240V)

WV-CW474AF (AC24V or DC12V)

CE This equipment complies with the EMC Directive 89/336/EEC

IP66
standard

VD2
Sync Compatible



SDII
Super Dynamic



WV-CW470AS
(Surface mount type)



WV-CW474AF
(Flush mount type)

Optional Accessories

Heater Unit
WV-CW3H



Mounting Base for WV-CW474AF
WV-Q113



Smoke Dome Cover
WV-CW2S



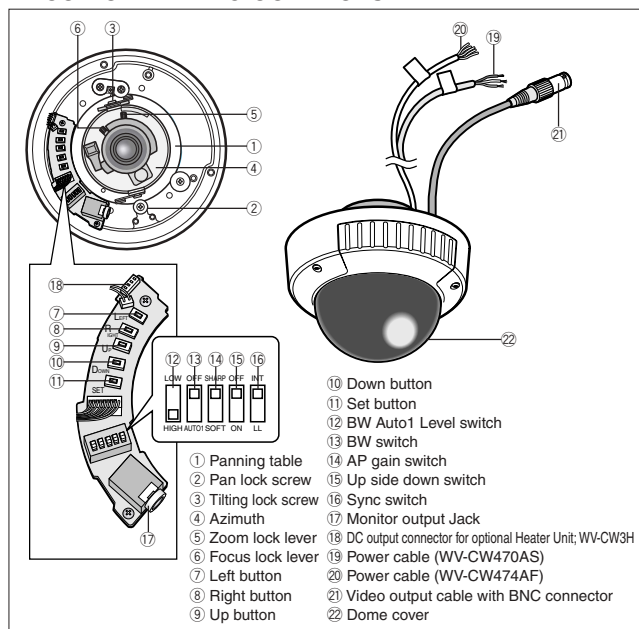
KEY FEATURES

- Vandal Proof resistant dome type colour cameras.
- Die-cast aluminum body and the camera lens chassis shock resistant.
- IP66 standard.
- **Super Dynamic II** technology delivers 80x wider dynamic range compared to conventional cameras.
- Switches from selected colour mode to B/W mode, automatically or manually.
- Super sensitivity of 0.8 lux in colour mode and 0.1 lux in B/W mode.
- 510-line resolution in colour mode (at High).
- Signal to noise ratio of 50dB.
- Built-in digital motion detector.
- Built-in 16 alphanumeric character display.
- The 3-dimensional hinge (Pan, Tilt and Azimuth) makes adjustments easy.
- Built-in 2x variable-focal lens (3.8 - 8.0mm)
- 2x electronic zoom function
- Electronic shutter from 1/50(off) to 1/10,000 sec.
- Electronic sensitivity enhancement (Auto; up to 10x, Manual; up to 32x, and Off)
- Digital signal processing LSI's for high quality pictures: 2H vertical enhancement, chroma averaging circuit, minimum of aliasing, knee circuit, and highlight aperture correction.
- VD2 sync capability with Panasonic system products.
- Optional Heater Unit; WV-CW3H is available for varying temperatures.

SPECIFICATIONS

Model No.	WV-CW470AS	WV-CW474AF
Type	Surface mount type	Flush mount type
Pick Up Device	752 (H) x 582 (V) pixels, interline transfer CCD	
Scanning Area	4.86 (H) x 3.62 (V) mm, (Equivalent to 1/3" tube)	
Scanning	625 lines / 50 fields / 25 frames	
Scanning System	2 : 1 interlace	
Synchronization	Internal / Line-Lock (220V ~ 240V AC / 24V AC) / VD2	
Video Output	1.0V [p-p] / 75 Ω / PAL/CCIR composite signal / BNC connector	
Horizontal Resolution	510 lines (at High) and 480 lines at colour imaging mode, 570 lines at B/W mode	
Minimum Illumination (at F1.4 Wide)	0.8 lux at colour imaging mode, 0.1 lux at B/W mode	
Signal to Noise Ratio	50dB (at AGC Off, Weight On, AP On)	
Dynamic Range	48dB (typical)	
Functions	Camera Title 16 character display (alphabet, numeric, symbols)	
	Light Control ALC mode	
	Super Dynamic II On / Off	
	Electronic Shutter Off, 1/120, 1/250, 1/500, 1/1,000, 1/2,000, 1/4,000, 1/10,000 sec.	
	AGC On (High / Mid / Low) / Off	
	Electronic Sensitivity Up Off, Auto (x2, x4, x6, x10), Fix (x2, x4, x6, x10, x16, x32)	
	White Balance ATW 1 / ATW 2 / AWC	
	Motion Detector On / Off	
Lens	Type 2x variable focal lens	
	Focal Length 3.8 ~ 8.0 mm	
	Aperture Ratio F1.4 (Wide) to F176, close / F1.8 (Tele) to F176, close	
	Min. Object Distance 1.2 m (3.9 ft) ~ ∞	
Ambient Operating Temperature	-10°C ~ +50°C [-30°C ~ +50°C with optional Heater Unit (WV-CW3H)]	
Ambient Operating Humidity	Less than 90%	
Power Source	220V ~ 240V AC, 50Hz	24V AC 50Hz, or 12V DC
Power Consumption	5.2W (camera only) 14.0W (with optional Heater Unit)	12V DC, 367mA (camera only) 24V AC 50Hz, 3.8W (camera only) 24V AC 50Hz, 12.1W (optional Heater Unit only)
Dimensions (D) x (H) mm	ø160 x 161	ø154 x 160.5
Weight (approx.)	2.15 kg	1.45 kg

MAJOR OPERATING CONTROLS



DIMENSIONS

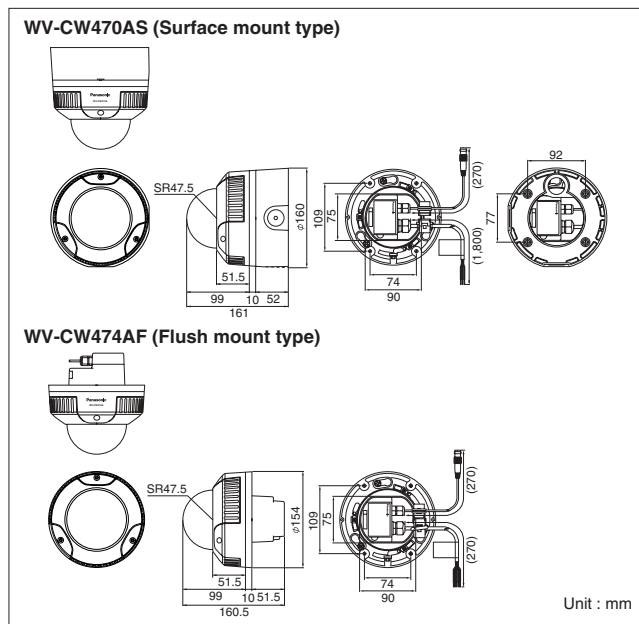


IMAGE CAPTURE

TRANSMISSION

PROCESSING

RECORDING/ARCHIVING

VIEWING