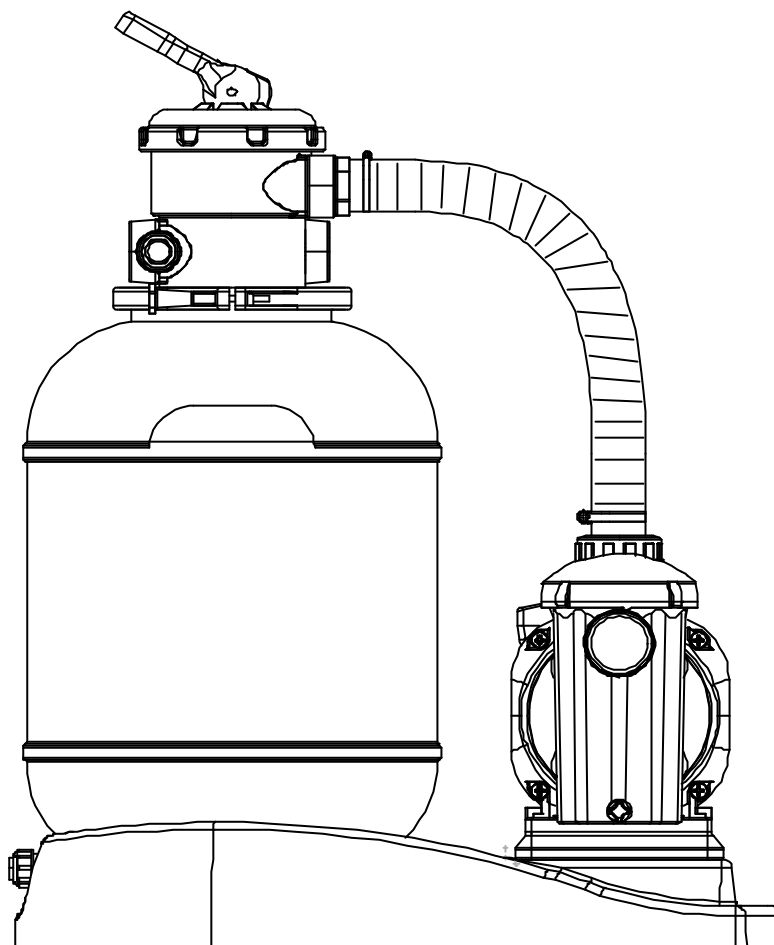


**SKID PACK  
FILTRO MONOBLOC  
FILTRE MONOBLOC  
MONOBLOCK-FILTER  
FILTRO MONOBLOCCO  
MONOBLOC-FILTER  
FILTRO MONOBLOCO**



**AR-135 / 140  
AR-135L / 140L  
AR-135E / 140E  
AR-1350 / 1400**



**INSTALLATION AND MAINTENANCE MANUAL  
MANUAL DE INSTALACIÓN Y MANTENIMIENTO  
MANUEL D'INSTALLATION ET D'ENTRETIEN  
EINBAU-UND BETRIEBSANLEITUNG  
MANUALE DI INSTALLAZIONE E MANUTENZIONE  
GEBRUIKSAANWIJZINGEN MONOBLOC FILTER  
MANUAL DE INSTRUÇÕES E MANUTENÇÃO**

**SAFETY INSTRUCTIONS. READ CAREFULLY**

? All electrical installations should comply with the following standard;

**NF C15-100**

**NF EN 60-335-2-41**

that refers “to the construction of electrical installations, both in indoor and outdoor swimming pools”, or the equivalent standard in force in each region or country.

? All filtering should follow the C 15-100 installation standard that stipulates that all electrical apparatus located at less than 3.5 m. from the pool and freely accessible, should be supplied by a very low voltage of 12 V. All apparatus supplied with 220 V should be located at least 3.5 m. from the swimming pool edge. Ask the manufacturer for permission to make any modifications in one or more elements of the filtering system.

? The electrical installation should be performed by professional staff qualified in electrical installations.

? The height of the sand should not exceed 2/3 of the height of the tank.

? The apparatus must not be on while the pool is being used.

? Do not operate the apparatus unless it is properly primed.

? NEVER touch the filter when it is operating if you are wet or have wet hands.

? When handling the filter or valve, DISCONNECT the power supply.

? Make sure that the ground is dry before touching the electrical equipment.

? Do not install the filter where it could become wet, as it may cause electrocution.

? Do not allow children or adults to lean against or sit on the apparatus.

? If the supply flex of the apparatus is damaged, it should be replaced. Read the instructions carefully to replace it. If in doubt, contact the technical service.

**1 PACKAGING COMPONENTS**

The filter which you have just purchased is a device which is especially planned and designed for elevated pools. As a result of its innovative design and high level of functionality, it provides you with the different components required to filter water: filter, pump and selector valve in a single unit. The main components of this filter are as follows:

<i>Modelo</i>	<i>Fig.</i>	<i>Pos</i>	<i>Denominación</i>
AR135 / 140 AR135L / 140L AR135E / 140E AR1350 / 1400	1	1	Filter
	1	2	Pump
	1	3	1-1/2" selector valve
	1	4	Drain plug
	1	5	Electric power cable
	4	6	Metal band
	1-8-9-14-15	8	Hose ø38 mm x 0,58 m
AR135 / 140 AR135L / 140L AR135E / 140E	5A / 5B	7	Silica sand
			Hose ø38 mm x 1,5 m(washed sand)
	3-8-9-14-15	10	2 hoses ø38 mm x 4,5 m
	8-9-14-15	13	Clamps
	9-15	14	Nut 2-1/4"
	9-15	15	Spigot connection ø38 mm
AR140 / AR140L AR140E / AR1400	8	11	Return sleeve coupling 1-1/2"
	8	12	Return sleeve 1-1/2"
AR135 / 140	3	17	Wall skimmer, Dream Pool swimming pools
AR135E / 140E	3	18	Self-supporting skimmer Magic Pool pools
AR135L / 140L	3	19	Wall skimmer, Jet Pool swimming pools
AR1350 / 1400	Sand and connection components to the pool are not supplied		

**1.1 REQUIREMENTS FOR CORRECT INSTALLATION**

This apparatus is easy to install and can be assembled by **ONE ADULT** in about **2 HOURS**, taking care to correctly follow the instructions detailed in this manual.

Only the following tools are required to correctly handle the filter components and to install it.

<b>Task</b>	<b>Tool</b>	<b>Alternative tool</b>
Tighten the hose flanges	7mm Stecker screwdriver	Philips screwdriver
Cut the liner	Cutter	Knife
Protection of collector pipe	Piece of plastic	Piece of fabric

## 2 BEFORE CONNECTING THE FILTER

### 2.1 Location

Place the filter on a flat, solid surface at a minimum distance of 3.5 metres from the pool (in accordance with standard NF C15-100 or the equivalent standard of the region or country) and at the same level as the bottom of the pool to prevent air from entering the cleansing circuit and the filter from becoming unprimed (Fig. 2). The filter should be protected from sun and rain, and kept it in an area with sufficient ventilation during operation. Never cover it during operation.

### 2.2 Assembly

After the filter has been set into place, proceed as follows:

#### 2.2.1 Loading the sand AR-135 / AR-135E / AR-135E

- ? Cover the opening of the collector tube that is inside the filter, with protective plastic in order to prevent sand from entering the tube (Fig. 5 A).
- ? Place the inner collector properly on the bottom of the filter (Fig. 6).
- ? **Insert ONLY 40 Kg of sand inside the filter (fig. 5A). Sand is delivered in 25 kg. sacks.** The silica sand lasts for an unlimited period of time and should only be replaced in the event of sand loss. Record the sand level for future replacement. Keep the remaining sand in the bag in a dry place.
- ? Eliminate the remains of sand from the filter opening and remove the protective plastic.
- ? Place the TOP selector valve with its coupling and secure with the metal band or seal following the diagrams in the instructions attached to the metal band.
- ? Tighten firmly the screw on the metal band (Pos. 6 Fig.4 ), which joins the valve to the filter.

#### 2.2.2 Loading the sand AR-140 / AR-140E / AR-140E

- ? Cover the opening of the inner collector tube with protective plastic in order to prevent sand from entering the tube (Fig. 5 B).
- ? Place the inner collector properly on the bottom of the filter (Fig. 6).
- ? Place the collector in a way that the main drain pipe (Pos. B, Fig. 7 ), fits the hole of the lower side of the valve (Pos. A, Fig. 7 ). This tube (B) is used to extract the air that could be in the collector (Fig. 7).
- ? **Insert ONLY 85 Kg of sand inside the filter (fig. 5 B). Sand is delivered in 25 kg. sacks.**
- ? The silica sand lasts for an be replaced if lost. Record the reference for the level of silica sand for future replacement.
- ? Eliminate the remains of sand from the filter opening and remove the protective plastic.
- ? Replace the TOP selector valve with its coupling and secure with the metal band or seal .
- ? Tighten firmly the screw (Pos. 6 Fig.4 ) on the metal band which joins the valve to the filter.

#### 2.2.3 Connecting the hoses

##### Models AR-135 / AR-135L / AR-135E

Connect one end of the 0.58 m. hose (Pos.8 Fig.14) to the connection of the selector valve (that comes in the PUMP position) and tighten with a clamp. Connect the other end to the pin connection of the upper part of the motor (Pos.15 Fig.15) (that is already assembled) using a clamp.

? Connect one end of one of the 4.5 m. hoses (Pos.10 Fig.14) to the connection of the selector valve (that comes in the RETURN position) using a clamp (Fig.14). Connect the other end of this hose to the return nozzle in the swimming pool using a clamp. (Fig.3).

? Connect one end of the other 4.5 m. hose to the skimmer using a clamp (Fig.3).

Connect the other end (Pos.10 Fig.15) fro to the suction cover using a clamp.

##### Models AR-140 / AR-140L / AR-140E

Connect one end of the 0.58 m. hose (Pos.8 Fig.8) to the inlet bushing of the selector valve (that comes in the PUMP position) and tighten with a clamp. Connect the other end to the pin connection of the upper part of the motor (Pos.15 Fig.9 and Fig.15) (that is already assembled) using a clamp.

? Place a flat seal (Pos.11 Fig.8) inside the return connection (RETURN) of the selector valve and fully tighten the bushing (Pos.12 Fig.8). Connect one end of one of the 4.5 m. hoses (Pos.10 Fig.8) to this bushing using a clamp (Fig.8). Connect the other end of this hose to the return nozzle in the swimming pool using a clamp. (Fig.3).

? Connect one end of the other 4.5 m. hose to the skimmer using a clamp (Fig.3). To connect the other end place the O-ring (Pos.16 Fig.9) at the inlet of the pump, insert the pin connection(Pos.15 Fig.9) through the nut (Pos.14 Fig.9), and fully tighten it to the connection.

Connect the end of the 4.5 m. hose (Pos.10 Fig.9), from the skimmer to this connection, using a clamp.

## 2.2.4 Assembly the pressure gauge

WITHOUT  
PRESSURE GAUGE



## 3 ELECTRIC CONNECTION

All electrical installations should comply with the following standard:

**NF C15-100**

**NF EN 60-335-2-41**

that refers "to the construction of electrical installations, both in indoor and outdoor swimming pools", or the equivalent standard in force in each region or country.

The pump must be connected to a 220 V. alternating current and 50 Hz power point, with earth connection.

Consumption: 3.4 A.

An omnipolar switch must be used to ensure there is no power feed to the filter when it is not in use. A 30 mA differential must also be used to protect from electric discharges. (Not supplied. These items can be purchased at electric supply stores.)

## 4 UPPER SELECTOR VALVE

The upper selector valve is responsible for selecting the 6 different filter functions: backwash, recirculation, rinse, filter, waste, and close. To change the valve position, proceed as follows:

- ? Always disconnect the power socket.
- ? Press firmly on the upper valve control until the front rib is released from its housing and it can turn on its own axis.
- ? Gently turn the control until the front rib is aligned with the housing for the desired operation.
- ? Release the control gradually and check that the front rib is fully inserted in the appropriate housing.

## 5 OPERATION

The operation of this filter is based on the filtration capacity of the silica sand, which is inside. The water in the pool is driven by the filter pump and forced to pass through the silica sand. The sand acts as a filtering element, which retains the impurities in the water. The environment, trees, pollen, insects and frequency of bathing, as well as other factors, determine the dirtiness of the water in the pool. Depending on the dirtiness, the silica sand in the filter should be cleaned with greater or less frequency (see section 5.3).

To maintain the pool water in good condition, use the chemical products recommended by the manufacturer (chlorine, alga protection, flocculant, etc.).

**THE CHEMICAL PRODUCT SHOULD NEVER BE PLACED IN THE BASKET OR THROUGH THE FILTER, THIS WOULD DETERIORATE THE MATERIALS OF THE UNIT AND LIMIT ITS EFFICACY.**

### 5.1 Priming the filter

The filter must be correctly primed at all times. If the filter is not primed this means that an air chamber has been created inside which causes defective circulation of water. This fact prevents proper filtration of the water by the silica sand and is detrimental to the motor.

The filter may become unprimed for several reasons:

- ? Starting up a new unit.
- ? Starting up a unit after an extended period of inactivity.
- ? Following the incorrect use of a suction bottom cleaner.
- ? Air absorbed by the skimmer due to the low level of water in the pool.
- ? Due to incorrect use of the unit, suction cover or skimmer plug.

#### 5.1.1 When is the filter unprimed?

The filter is unprimed when:

- ? The water entering the filter sounds like it is falling freely. This fact indicates that an air chamber has been created between the water inlet and the silica sand.
- ? An excess of air bubbles is released through the feedback nozzle.
- ? The bottom cleaner (not supplied) does not suction, and the silica sand remains clean after the cleansing.
- ? Check that the pressure gauge is in the 0 bar position.

### 5.1.2 How to prime the filter

- ? Check that the suction hose is connected to the skimmer and the passage is open (the plug has not been inserted).
- ? Disconnect the filter from the power outlet.
- ? With the valve in the filtering position (filter), slightly loosen the drain nut that is beside the pressure gauge, to enable the air accumulated inside the filter to escape. If a pressure gauge has not been placed, put the valve in the WASTE position.
- ? When it observed that only water is released (between 1 and 2 minutes) close the drain valve again.
- ? Connect the filter to the power outlet and check that falling water can no longer be heard. If it can still be heard, repeat the operation.

## 5.2 Filtration

**NEVER HANDLE THE VALVE  
WHILE THE MOTOR IS RUNNING**

Before the first filtration operation, perform a backwash of the sand. (Section 5.3)

The valve must be on the filtration setting. The service life of the filter will be longer if the periods of continuous operation do not exceed 4 hours. The need for daily filtration is determined by the volume of water in the pool in  $m^3$  in comparison to the  $m^3/h$  filter flow rate for a water temperature of around 21°C and placed at 3.5 m. from the pool. Leave the motor at off for at least 2 h. between each 4 h period of operation.

$$\frac{\text{Volume of the pool in } m^3}{\text{Filter flow in } m^3/hr.} = \text{hours required}$$

Example:

$$\frac{42 m^3}{5.5 m^3/h} = 7.63 \text{ hours} \quad \text{2 cycles of 4 hours with an intermediary cycle of 2 hours rest}$$

In the initial filtration treatment it is important to leave the filter off for the time indicated. It is recommended to increase the filtration time the higher the water temperature of the pool.

## 5.3 Filter wasehd sand

The backwash process cleans the silica sand from inside the filter. This process should be done regularly. For this purpose you should observe several factors which indicate the dirtiness of the sand:

- ? Decrease in the flow rate of feedback is detected, after checking that the pump is well primed.
- ? Pressure gauge indicates that there is excess pressure (needle pointing between yellow and red, or on red).

### 5.3.1 To perform filter backwash, proceed as follows:

- ? Disconnect the filter from the power outlet. Never move the selector valve when the motor is running.
- ? Press firmly on the upper valve control until the front rib is released from the housing and can turn on its own axis.
- ? Turn the control gently until the front rib is aligned with the housing of the backwash operation.
- ? Connect the  $\varnothing 38$  mm x 1.5 m hose using the 1 1/2" sleeve to the valve waste outlet and point the other end of the hose to a drain or sewer in models AR140, AR140E, and AR140L. In models AR135, AR135E, AR135L connect the  $\varnothing 38$  mm x 1.5 m hose directly to the valve waste outlet and point the other end of the hose to a drain or sewer.
- ? Start up the filter and operate for approximately 2 min., until impurities are no longer released to the water. This can be observed through the transparent viewing window on the side.
- ? Stop the filter.
- ? Place the valve in the rinsing position and connect the filter for a few seconds.
- ? Stop the filter, go to the required filter position and remove the hose from the waste position if required.

## 5.4 Draining the swimming pool

The filter allows you to drain the pool almost completely after the bathing season has ended. To do so, place the upper selector valve on the waste setting. Before plugging in the filter, connect the  $\varnothing 38$  mm x 1.5 m hose to the valve waste outlet and point the other end of the hose towards a drain or sewer. Then, depending on the skimmer model, proceed as follows:

### 5.4.1 AR-135, AR-135L , AR-140 , AR-140L model

**(with wall skimmer for Dream Pools and Jet Pool swimming pools):**

- ? Remove the inner basket from the skimmer and cover the suction inlet with the plug supplied for this purpose.

- ? Disconnect the suction hose from the skimmer inlet. Loosen the clamp that secures the hose and hold the hose so that no water leaks and submerge immediately in the pool so that it remains primed.
- ? Weigh down the end of the this hose with a heavy object which cannot damage the liner so that it is forced to sink to the bottom of the pool.
- ? Start up the pump and drain the pool. Remember that the filter will not fully drain the pool. When a few cm. of water are left and the pump no longer sucks in water, shut it off.
- ? Once the pump to drain the pool is on, do not stop the process until it is finished, to ensure that it does not become unprimed.
- ? If you are going to refill the pool with water, first remove the remaining water by hand without damaging the liner.
- ? If you are going to disassemble the pool, you can fold the liner with the remaining water in the centre.
- ? Remove the plate in the DREAM POOL model or the tubes in the JET POOL model.
- ? Unfold the liner in order to drain it fully.
- ? This operation should not be performed except to disassemble the pool.

#### 5.4.2 AR-135E , AR-140E model

##### (with self-supporting skimmer for Magic Pools):

To empty the pool, you can use the pool drain or the cleansing unit:

- ? Raise the self-supporting skimmer until it is hanging outside the pool, to prevent water from entering the skimmer.
- ? Disconnect the suction hose from the skimmer inlet by the outer part of the pool wall. Loosen the clamp that secures the hose carefully so that the liner is not damaged. Hold the hose so that it does not leak and submerge it immediately in the pool so that it remains primed.
- ? Weigh down the end of the suction hose with a heavy object that cannot damage the liner so that it is forced to sink to the bottom of the pool.
- ? Start up the pump and drain the pool. Remember that the filter will not fully drain the pool. When the pump no longer sucks in water, shut if off.
- ? Once the pump to drain the pool is on, do not stop the process until it is finished, to ensure that does not become unprimed.
- ? If you are going to refill the pool with water, first **remove the remaining water through the drain** without damaging the pool.

**THE HOSE SHOULD NOT CONTINUE SUCTIONING THE BOTTOM OF THE POOL LINER. THE PUMP MAY BE SERIOUSLY DAMAGED IF IT OPERATES WITHOUT WATER CIRCULATION. THE LINER MAY ALSO BE DAMAGED BECAUSE OF SUCTION.**

#### 5.5 Cleaning the bottom of the pool

In order to clean the bottom of the pool, use the pump filter with one of the following accessories:

“Kidney-shaped” bottom cleaner/ **AR-206**, “Oval” bottom cleaner / **AR-207** (you will also need a ø38 mm hose / **AR-210** and the pole / **AR-102**). To purchase these items, consult your establishment or ask the After-Sales Service provided by the pool manufacturer. Always use original replacement parts.

A hose which extends beyond the length required to reach all points of the pool is more difficult to use. Cut off the section of the hose which is not needed. Check that the rubber terminals are sealed.

##### 5.5.1 Priming the bottom cleaner hose:

Slowly insert the bottom cleaner into the pool vertically, with the pole and the hose connected. Let it fill with water and keep the rest of the hose outside of the water. Continue to insert the hose in the water slowly in 50 cm sections which should be submerged at the same time as they are completely filled with water. Proceed up until the end, when the entire hose is filled with water and submerged. If the hose is not fully primed, the bottom cleaner will not perform suction and the cleansing unit may be damaged if it is forced to operate when it is empty.

##### 5.5.2 AR-135, AR-135L, AR-140 , AR-140L model

##### (with wall skimmer for Dream Pools and Jet Pool swimming pools):

Place the suction cover accessory inside the skimmer with the inlet facing upwards. Do not remove the basket. Prime the hose.

From INSIDE THE POOL, pass the end of the hose through the skimmer hatch. Make sure that no air enters. Connect it to the suction cover inlet and secure it at an angle to facilitate the connection. Then set it into place in a horizontal position and continue to insert the hose. Be careful not to damage the skimmer hatch during this operation. The skimmer water level must be at the maximum level. It should be located above the connection between the cover and the hose to prevent air from entering.

Start up the pump on the filtration setting and proceed to clean the bottom of the pool.

##### 5.5.3 AR-135E, AR-135ES , AR-135EUK AR-140E, AR-140ES or AR-140EUK model

##### (with self-supporting skimmer for Magic Pools):

Remove the upper floating ring of the skimmer. Then, without removing the pre-filter basket, place the suction cover accessory on the upper part of the skimmer with the inlet facing upwards and submerge the skimmer inside the pool to a point which ensures that the suction cover does not draw in air.

Prime the hose.

Make sure that no air enters the hose and connect it to the suction cover inlet. The connection of the hose and the cover should always remain submerged in order to prevent air from entering.

Start up the pump and proceed to clean the bottom of the pool.

### **5.6 Rinsing**

After "WASHING" the filter and placing the installation in the "FILTERING" position, the water flowing to the pool will be cloudy for a few seconds. To avoid this cloudy water from circulating in the swimming pool, the "RINSING" operation should be performed as follows. Immediately after "WASHING", stop the pump, place the selector valve in the "RINSING" position and connect the pump for 1 minute. After this time, stop the pump and place the valve in the "FILTERING" position.

### **5.7 Closed setting**

The CLOSED setting of the selector valve is used to prevent water from circulating through the hoses and the filter.

### **5.8 Recirculation**

In this position the selector valve allows the water from the pump to go directly to the swimming pool without passing through the inside of the filter.

## **6 REPLACING THE CABLE**

If the cable is damaged, proceed as follows:

- ? Disconnect the unit from the power outlet.
- ? Loosen the screws which secure the connection box cover and lift the cover (Fig. 11/17).
- ? Disconnect the connection box terminals from the pump. Take note of its position.
- ? Remove the cable so that it can be replaced and then proceed in the opposite order of that described.

## **7 MAINTENANCE**

After the bathing season has ended, the filter should be kept in a dry place where it is protected from bad weather conditions. For this purpose, after performing a final backwash to clean the silica sand, dismantle the hoses and drain the water in the filter through the tank drain plug until it is completely empty.

After removing all the water from the filter, carefully clean the remains of silica sand from the thread before replacing the plug. Failure to do so could damage the thread.

The filter tank drain plug should only be used in this operation.

**VERY IMPORTANT:** After a long period of inactivity, before operating the filter, check that the motor shaft is not jammed. After winding the motor, move it with a flat screwdriver at the end visible through the ventilation cover until it is released and then turn the shaft from right to left. After an extended period of stoppage, it is also advisable to ensure that the filter is primed before starting it up.

### **7.1 Pump care**

The filter pump is designed to operate without any specific maintenance. However, if the unit is used in pools which are extremely dirty, especially with leaves, this may cause the pump shaft to jam. In this case, proceed as follows:

- ? Disconnect the unit from the power point.
- ? Place the valve on the closed setting.
- ? Insert the sealing plug on the skimmer.
- ? Disconnect the suction hose and discharge hose from the pump.
- ? Loosen the screws which secure the cover to the pump body.
- ? Clean the wheel. If you see that it is broken, ask the pool manufacturer for a replacement.
- ? Reinsert the pump cover. Ensure that the coupling is fully centred and firmly tightened.
- ? Reassemble the suction hose and the discharge hose on the pump.
- ? Remove the sealing plug from the skimmer.

### **7.2 Troubleshooting and technical service**

This filter and its instructions are designed for domestic use, with no need for professional supervision, except for exceptional cases. Here we shall describe the problems and causes which may arise after years of service of the filter that you can repair yourself. If you cannot solve the problem, contact the pool manufacturer at the telephone indicated in the instructions.

PROBLEM	CAUSE	SOLUTION
The filter leaks through the hose terminals	Incorrect connection between the terminals and the hoses.	In threaded housings, place Teflon and insert the hose terminals up until the bottom of the housing and tighten the clamps.
After the filter has started up, there is no flow in the feedback nozzle.	The valve is not at the filtration setting.	Disconnect the filter and place the valve at the correct setting.
	The filter is above the level of the unprimed water.	Place the filter in the correct position and prime it.
	The pump is jammed and must be dismantled.	See section 7.1
	The suction cover or the skimmer plug has been inserted.	Remove the suction cover or the skimmer plug.
Intermittent operation	Low water level in skimmer	Fill the pool and prime the filter.
	The filter is not primed.	Prime the filter.
The flow rate of the filter is low.	Due to use, the filter is dirty.	Carry out a backwash operation.
	The filter is not primed.	Prime the filter.
Water leaks through the filter opening.	The connection between the valve and the filter is dirty.	Clean the sand from the opening. Insert the coupling on the valve properly and tighten the metal band firmly.
	The metal band is loose.	
The filter valve leaks through the drain terminal.	Inner coupling damaged due to improper use of chemical product.	Change the top valve cover. Do not put chemical products in the pre-filter skimmer basket.
	Valve head broken due to improper use. (over-tightening)	Change the valve head. Do not over-tighten.
The motor will not start up. There is no noise or vibration.	No power in the electric line.	Check that there is power in the electric line.
	Loose motor terminals.	Switch on the motor (section 6) and check the motor terminals.
The motor does not start up but a buzzing sound can be heard.	Drive shaft jams after prolonged inactivity.	See section 7
	Condenser damaged	This can be purchased from an electrical supply store (replacement under product guarantee).
	Motor damaged	Contact the After-Sales Service of the pool manufacturer.
Water leakage.	Find out where the water is leaking.	Check the hose clamps. If the leak is between the pump and the motor, contact the After-Sales Service of the pool manufacturer.



INDICACIONES DE SEGURIDAD, LEALAS ATENTAMENTE

? En todo lo referente a la instalación eléctrica debe seguirse la normativa:

**NF C15-100**

**NF EN 60-335-2-41**

que hace referencia "a la construcción de instalaciones eléctricas, tanto en piscinas cubiertas como en piscinas al aire libre", o la normativa análoga vigente en cada zona o país.

*"Todas las filtraciones siguen la norma de instalación C 15-100 que especifica que todo aparato eléctrico ubicado a menos de 3,5 m de la piscina y accesible libremente debe estar alimentado con muy baja tensión 12 V. Todo aparato alimentado en 220 V debe estar ubicado por lo menos a 3,5 m del borde de la piscina. Pedir permiso del fabricante para toda modificación de uno o varios elementos del sistema de filtración"*

? La instalación eléctrica debe ser hecha por personal profesional cualificado en instalaciones eléctricas.

? La altura de la arena no debe sobrepasar los 2/3 de la altura del depósito.

? No tenga el aparato en marcha mientras utiliza la piscina.

? No haga funcionar el aparato sin estar correctamente cebado.

? No toque NUNCA el filtro en marcha con el cuerpo húmedo o las manos húmedas.

? Siempre que deba manipular el filtro o la válvula, DESCONÉCTELO de la toma de corriente.

? Asegúrese de que el suelo está seco antes de tocar el equipo eléctrico.

? No coloque el filtro donde pueda mojarse, puede causar electrocución.

? No permita ni a niños ni a adultos apoyarse o sentarse sobre el aparato.

? Si el cable flexible de alimentación de este aparato está dañado, debe ser sustituido. Lea detenidamente las instrucciones para su sustitución. Ante la duda consulte con un servicio técnico.

**1 COMPONENTES EMBALAJE**

El filtro que acaba usted de comprar es un aparato especialmente concebido y diseñado para piscinas elevadas. Con un innovador diseño y una gran funcionalidad, dispone usted de los diferentes elementos necesarios para filtrar el agua: Filtro, bomba y válvula selectora en un mismo aparato. Los principales componentes de este filtro son:

Modelo	Fig.	Pos	Denominación
AR135 / 140 AR135L / 140L AR135E / 140E AR1350 / 1400	1	1	Filtro
	1	2	Bomba
	1	3	Válvula selectora 1-1/2"
	1	4	Tapón de vaciado
	1	5	Cable eléctrico de alimentación
	4	6	Zuncho
	1-8-9-14-15	8	Manguera ø38 mm x 0,58 m
AR135 / 140 AR135L / 140L AR135E / 140E	5A / 5B	7	Arena de sílex
			Manguera ø38 mm x 1,5 m(lavado de la arena)
	3-8-9-14-15	10	2 Mangueras ø38 mm x 4,5 m
	8-9-14-15	13	Abrazaderas
	9-15	14	Tuerca 2-1/4"
	9-15	15	Conexión espiga
AR140 / AR140L AR140E / AR1400	8	11	Juntas planas
	8	12	Manguitos 1-1/2"
AR135 / 140	3	17	Skimmer de pared, piscinas Dream Pool
AR135E / 140E	3	18	Skimmer autoportante, piscinas Magic Pool
AR135L / 140L	3	19	Skimmer de pared, piscinas Jet Pool
AR1350 / 1400	Arena y componentes de conexión a la piscina no suministrados		

**1.1 NECESIDADES PARA UNA CORRECTA INSTALACION**

Por su facilidad de instalación este equipo puede ser montado por **UNA PERSONA ADULTA** y en un periodo de tiempo de alrededor de **2 HORAS**, con la precaución en todo momento de hacer un correcto seguimiento de las instrucciones detalladas en este manual.

Para una manipulación correcta de los componentes del filtro y su correcta instalación son necesarias las siguientes herramientas:

Función	Herramienta	Herramienta alternativa
Apretar las bridas de las mangueras	Destornillador stecker 7mm	Destornillador boca philips
Recortar el liner	Cutter	Cuchilla
Protección del tubo del colector	Trozo de plástico	Trozo de tela

## 2 ANTES DE CONECTAR EL FILTRO

### 2.1 Situación

Colocar el filtro sobre una superficie plana y sólida, a una distancia no inferior a 3,5 metros de la piscina (según norma NF C15-100 o análoga vigente en cada zona o país.) y al mismo nivel del fondo de la piscina para evitar que en el circuito de depuración entre aire y el filtro se descebe (Fig. 2). Es conveniente resguardar el filtro del sol y la lluvia, y mantenerlo con una ventilación suficiente durante su funcionamiento, nunca taparlo durante el funcionamiento.

### 2.2 Montaje

Una vez situado el filtro, proceder como sigue:

#### 2.2.1 Carga de la arena AR-135 / AR-135E / AR-135L

- ? Tapar la boca del colector situado en el interior del filtro con un plástico protector para evitar la entrada de arena (Fig. 5 A).
- ? Asentar correctamente el colector interior en el fondo del filtro (Fig. 6).
- ? **Introducir en el interior del filtro sólo 40 Kg de arena (Fig. 5A), la arena se suministra en sacos de 25 Kg.**
- ? La arena de sílex tiene una duración ilimitada. Sólo debe reponerse en caso de pérdida. Tome la referencia del nivel de arena de sílex para reposiciones futuras, para ello guarde la arena sobrante dentro del saco y en un lugar seco.
- ? Eliminar los restos de arena de la boca del filtro y retirar el plástico protector.
- ? Colocar la válvula selectora TOP con su junta y colocar el zuncho o cierre según dibujos hoja anexa del zuncho.
- ? Apretar fuertemente el tornillo del zuncho ( Pos. 6 Fig. 4 ) que sujeta la válvula al filtro .

#### 2.2.2 Carga de la arena AR-140 / AR-140E / AR-140L

- ? Tapar la boca del tubo del colector interior con un plástico protector para evitar la entrada de arena (Fig. 5B).
- ? Asentar correctamente el colector interior en el fondo del filtro (Fig. 6).
- ? Colocar el colector de tal manera que el tubo purga del colector (Pos. B, Fig. 7 ), coincida en el hueco que tiene la válvula en la parte inferior (Pos. A, Fig. 7 ). Este tubo (B) ayuda a extraer el aire que hubiera en el colector.
- ? **Introducir en el interior del filtro sólo 85 Kg de arena (Fig. 5 B), la arena se suministra en sacos de 25 Kg.**
- ? La arena de sílex tiene una duración ilimitada. Sólo debe reponerse en caso de pérdida. Tome la referencia del nivel de arena de sílex para reposiciones futuras.
- ? Eliminar los restos de arena de la boca del filtro y retirar el plástico protector.
- ? Vuelva a colocar la válvula selectora TOP con su junta y colocar el zuncho o cierre.
- ? Apretar fuertemente el tornillo del zuncho que sujeta la válvula al filtro ( Pos. 6 Fig. 4 ).

#### 2.2.3 Conexión de las mangueras

##### En los modelos AR-135, AR-135L, AR-135E

Conectar un extremo de la manguera de 0.58 m. (Pos.8 Fig.14) a la espiga de la válvula selectora (que viene marcada posición PUMP) apretando con una abrazadera y el otro extremo conectarlo a la conexión espiga de la parte superior del motor (Pos.15 Fig.15) (que viene ya montado) mediante una abrazadera.

Conectar un extremo de una de las mangueras de 4,5 m (Pos.10 Fig.14) a la espiga de la válvula selectora (que viene marcada posición RETURN ) mediante una abrazadera (Fig.14), conectar el otro extremo de esta manguera a la boquilla de retorno en la piscina mediante una abrazadera (Fig.3).

Conectar un extremo de la otra manguera de 4,5 m al skimmer mediante una abrazadera (Fig.3),

Conectar el otro extremo de la manguera (Pos.10 Fig.15) a la tapa de aspiración mediante una abrazadera.

##### En los modelos AR-140, AR-140L, AR-140E.

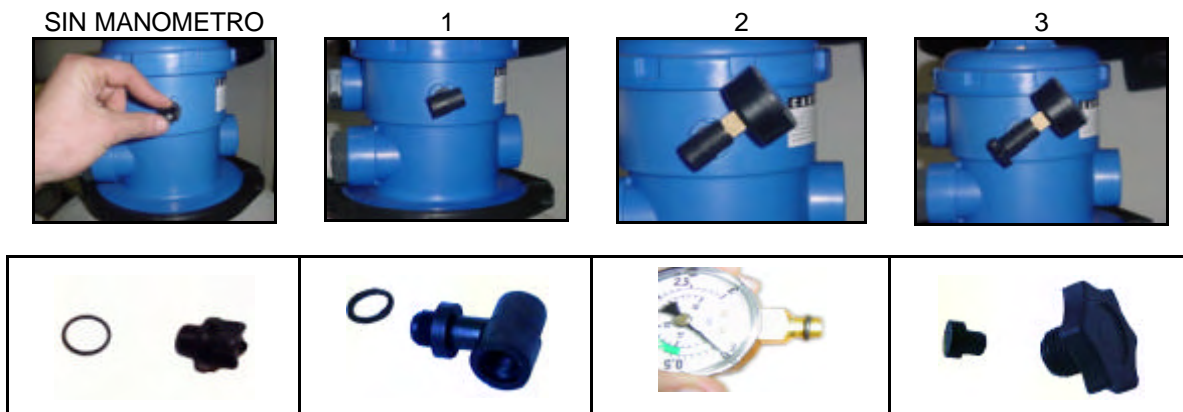
Conectar un extremo de la manguera de 0.58 m. (Pos.8 Fig.8) al manguito de entrada de la válvula selectora (que viene ya montado en la posición PUMP) apretando con una abrazadera y el otro extremo conectarlo a la conexión espiga de la parte superior del motor (Pos.15 Fig.9 y Fig.15) (que viene ya montado) mediante una abrazadera.

Alojar una junta plana (Pos.11 Fig.8) en el interior de la conexión de retorno (RETURN) de la válvula selectora y roscar fuertemente un manguito (Pos.12 Fig.8), conectar un extremo de una de las mangueras de 4,5 m (Pos.10 Fig.8) a este manguito mediante una abrazadera (Fig.8), conectar el otro extremo de esta manguera a la boquilla de retorno en la piscina mediante una abrazadera (Fig.3).

Conectar un extremo de la otra manguera de 4,5 m al skimmer mediante una abrazadera (Fig.3), para conectar el otro extremo alojar la junta torica (Pos.16 Fig.9) en la entrada de la bomba, insertar la conexión espiga (Pos.15 Fig.9) a través de la tuerca (Pos.14 Fig.9), y roscar fuertemente esta a la conexión.

Conectar el extremo de la manguera de 4,5 m (Pos.10 Fig.9), que viene del skimmer a esta conexión, mediante una abrazadera.

### 2.2.4 Montaje del manómetro.



## 3 CONEXIÓN ELÉCTRICA

En todo lo referente a la instalación eléctrica debe seguirse la normativa:

**NF C15-100**

**NF EN 60-335-2-41**

que hace referencia "a la construcción de instalaciones eléctricas, tanto en piscinas cubiertas como en piscinas al aire libre", o la normativa análoga en cada zona o país.

La bomba se debe conectar a una toma de tensión de 220 V de corriente alterna y 50 Hz, con conexión a tierra. Consumo 3.4 A.

Es imprescindible utilizar un interruptor omnipolar para dejar sin tensión el filtro cuando no lo esté utilizando y un diferencial de 30 mA. para protección de descargas. (No suministrado. Puede adquirirse en establecimientos de electricidad)

## 4 VÁLVULA SELECTORA SUPERIOR

La válvula selectora superior es la encargada de seleccionar las 6 diferentes funciones del filtro: lavado de la arena (backwash), recirculación (recirculation), enjuague (risne), filtración (filter), vaciado (waste), y cerrado (closed). Para variar la posición de la válvula, proceder como sigue:

- ? Desconectar siempre el enchufe.
- ? Presionar firmemente el mando superior de la válvula desenchajando el nervio delantero de su alojamiento, hasta que nos permita girar sobre sí mismo.
- ? Girar suavemente el mando hasta alinear el nervio delantero con el alojamiento de la operación deseada.
- ? Soltar el mando sin brusquedad, comprobando que el nervio delantero queda bien encajado en su alojamiento.

## 5 FUNCIONAMIENTO

**EN NINGUN CASO EL PRODUCTO QUIMICO DEBE PONERSE EN EL CESTO O A TRAVES DEL FILTRO, ELLO DETERIORARIA LOS MATERIALES DEL APARATO Y LIMITARIA SU EFICACIA**

El funcionamiento de este filtro se basa en la capacidad de filtrado de la arena de sílex que hay en su interior. El agua de la piscina es impulsada por la bomba del filtro y forzada a pasar a través de la arena de sílex, quedando retenidas las impurezas del agua en la arena que actúa de elemento filtrante. El ambiente, árboles, polen, insectos y frecuencia de baños, son entre otros, los factores que determinan la suciedad del agua de la piscina, se deberá limpiar la arena de sílex del filtro con mayor o menor frecuencia, (ver apartado 5.3).

Para mantener en buen estado el agua de la piscina debemos además utilizar los productos químicos aconsejados por el fabricante (cloro, antialgas, floculante, etc.).

### 5.1 Cebado del filtro

Es imprescindible que el filtro se encuentre en todo momento correctamente cebado. Que el filtro no este cebado significa que en su interior se ha creado una cámara de aire que provoca una circulación defectuosa del agua que perjudica el motor.

El filtro puede descebarse por varios motivos:

- ? Puesta en marcha de un equipo nuevo.
- ? Puesta en marcha de un equipo tras un periodo largo de falta de utilización.
- ? Tras utilizar incorrectamente un limpia fondos de aspiración.
- ? Absorción de aire por el skimmer debido a un nivel bajo en el agua de la piscina.

? Por una incorrecta utilización del equipo, tapa de aspiración o tapón de skimmer.

### 5.1.1 ¿Cuándo está descebado el filtro?

Detectaremos que el filtro está descebado cuando:

- ? Comprobemos que el sonido del agua entrando en él suena a caída libre, hecho que nos indica que entre la entrada del agua y la arena de sílex se ha creado una cámara de aire.
- ? Comprobemos que por la boquilla de retorno salen burbujas de aire en exceso.
- ? Comprobemos que el limpia fondos (no suministrado) no aspira, teniendo limpia la arena de sílex tras un lavado.
- ? Comprobemos que el manómetro está en posición 0 bar.

### 5.1.2 ¿Cómo cebar el filtro?

- ? Comprobar que la manguera de aspiración está conectada al skimmer y el paso abierto (no tiene el tapón puesto).
- ? Desconectar el filtro de la toma de corriente.
- ? Con la válvula en posición de filtrado (filter), aflojar ligeramente la tuerca de purga que se encuentra junto al manómetro para que permita salir el aire acumulado en el interior del filtro. Si no ha colocado el manómetro, colocar la válvula en posición de WASTE.
- ? Cuando se observe que solo sale agua (entre 1 y 2 minutos), cerrar de nuevo la tuerca de purga.
- ? Conectar el filtro a la toma de corriente y comprobar que ha dejado de oírse el sonido de caída del agua. De lo contrario repetir la operación.

## 5.2 Filtración

**NO MANIPULAR EN NINGUN CASO LA VALVULA  
CON EL MOTOR EN MARCHA**

Previo a la filtración inicial realizar un lavado de la arena. (Apartado 5.3)

La válvula debe estar en posición de filtrado (FILTER). La vida útil del filtro se alarga con periodos de funcionamiento continuado no superiores a 4 h. Sus necesidades de filtración diarias vienen determinadas por el volumen en m<sup>3</sup> de agua de su piscina en relación a los m<sup>3</sup>/h de caudal del filtro para una temperatura del agua de 21°C aproximadamente y colocado a 3,5 m de su piscina. Deje al menos 2 h. de reposo al motor entre cada periodo de funcionamiento de 4 h.

$$\frac{\text{Volumen piscina en m}^3}{\text{Caudal filtro en m}^3/\text{h}} = \text{horas necesarias}$$

Ejemplo:

$$\frac{42 \text{ m}^3}{5,5 \text{ m}^3/\text{h}} = 7,63 \text{ horas} \quad \begin{array}{l} 2 \text{ ciclos de 4 horas con un ciclo intermedio} \\ \text{de 2 horas de descanso} \end{array}$$

En el tratamiento inicial de filtración debe respetar los periodos de reposo indicados. Se recomienda aumentar el tiempo de filtración cuanto mayor sea la temperatura del agua de su piscina

## 5.3 Lavado de la arena

Con el proceso de lavado procedemos a limpiar la arena de sílex del interior del filtro. Este proceso debe hacerse con regularidad, para ello se debe estar atento a varios factores que determinan que la arena está sucia:

- ? Que se detecte una disminución del caudal de retorno, una vez comprobado que la bomba está bien cebada.
- ? Que el manómetro nos indique una presión excesiva (aguja indicando entre amarillo y rojo, o sobre rojo).

### 5.3.1 Para el lavado de la arena deberemos proceder como sigue:

- ? Desconectar el filtro de la toma de corriente. No mover nunca la válvula selectora con el motor en marcha.
- ? Presionar firmemente el mando superior de la válvula desencajando el nervio delantero de su alojamiento que nos permite girar sobre sí mismo.
- ? Girar suavemente el mando hasta alinear el nervio delantero con el alojamiento de la operación de lavado (backwash).
- ? Conectar la manguera de Ø 38 mm x 1,5 m mediante el manguito de 1 ½ " a la salida de desagüe (waste) de la válvula y dirigir el otro extremo de la manguera a un desagüe o alcantarilla en los modelos AR140, AR140L y AR140E, en los modelos AR135, AR135L y AR135E se conectara la manguera de Ø38mm x 1,5m directamente a la espiga de la válvula de desagüe, marcada como WASTE.
- ? Poner en marcha el filtro durante 2 min. aproximadamente, hasta que dejen de salir impurezas con el agua, se puede observar a través de la mirilla transparente que hay en el lateral.
- ? Parar el filtro
- ? Colocar la válvula en posición de enjuague (risne) y conectar el filtro durante unos segundos.
- ? Parar el filtro, pasar a la posición deseada de filtrado (filter) y retirar la manguera de la posición de desagüe (waste), si se desea.

## 5.4 Vaciado de la piscina

El filtro le permite vaciar casí totalmente la piscina una vez terminada la temporada de baño. Para ello deberá poner la válvula selectora superior en posición de desagüe (waste), sin enchufar el filtro todavía, conectar la manguera de Ø 38

mm x 1,5 m a la salida de desagüe (waste) de la válvula y dirigir el otro extremo de la manguera a un desagüe o alcantarilla, según modelo de skimmer, proceder como sigue:

#### 5.4.1 En el modelo AR-135, AR-135L, AR-140, AR-140L.

**(con skimmer de pared para Piscinas Dream Pool y Piscinas Jet Pool):**

- ? Retirar el cesto interior del skimmer y tapan la aspiración con el tapón suministrado a tal efecto.
- ? Desconectar la manguera de aspiración de la toma del skimmer, aflojando la abrazadera que la sujeta y sujetando la manguera para que no pierda agua y sumergirla inmediatamente en la piscina para que no se descebe.
- ? Lastrar el extremo esta manguera con un objeto pesado que no pueda dañar el liner, para forzar su inmersión hasta el fondo de la piscina.
- ? Poner en marcha la bomba y proceder al vaciado de la piscina. Recuerde que con la ayuda del filtro no se vaciará totalmente la piscina, cuando queden algunos CMS de agua y la bomba ya no aspire deberá apagarla.
- ? Una vez puesta en marcha la bomba para vaciar la piscina, no interrumpir el proceso hasta el final para que no se descebe
- ? Si va a llenar nuevamente la piscina de agua, antes saque manualmente el agua restante sin dañar el liner.
- ? Si va a desmontar la piscina puede plegar el liner con el agua restante en el centro
- ? Retirar la chapa en el modelo DREAM POOL o los tubos en el modelo JET POOL
- ? Desplegar el liner para vaciarla completamente.
- ? No se debe efectuar esta operación salvo para desmontar la piscina.

#### 5.4.2 En el modelo AR-135E, AR-140E.

**(con skimmer autoportante para Piscinas Magic Pool):**

Además del desagüe que incorpora la piscina, puede utilizar la depuradora para vaciarla:

- ? Levantar el skimmer autoportante hasta que quede colgando por el lateral exterior de la piscina, para evitar que el agua entre en él.
- ? Desconectar la manguera de aspiración de la toma del skimmer por la parte exterior de la pared de la piscina, aflojando la abrazadera que la sujeta con precaución para no dañar el liner y sujetando la manguera para que no pierda agua y sumergirla inmediatamente en la piscina para que no se descebe.
- ? Lastrar el extremo esta manguera con un objeto pesado que no pueda dañar el liner, para forzar su inmersión hasta el fondo de la piscina.
- ? Poner en marcha la bomba y proceder al vaciado de la piscina. Recuerde que con la ayuda del filtro no se vaciará totalmente la piscina, cuando la bomba ya no aspire agua deberá apagarla.
- ? Una vez puesta en marcha la bomba para vaciar la piscina, no interrumpir el proceso hasta el final para que no se descebe
- ? Si va a llenar nuevamente la piscina de agua, antes saque por el desagüe el agua restante sin dañar la piscina.

**EVITAR QUE LA MANGUERA QUEDE SUCCIONANDO EL FONDO DE LINER DE LA PISCINA, PODRIA PERJUDICAR SERIAMENTE LA BOMBA AL FUNCIONAR SIN CIRCULACION DE AGUA O EL LINER POR SUCCION**

#### 5.5 Limpieza del fondo de la piscina

Para la limpieza del fondo de la piscina, puede aprovechar la bomba del filtro, con uno de los accesorios siguientes: Limpiafondos "Riñón" / **AR-206**, Limpiafondos "Oval" / **AR-207** (también precisará la manguera de ø38 mm / **AR-210** y la pértiga / **AR-102**). Consulte en su establecimiento o con el Servicio Postventa del fabricante de la piscina para su adquisición. Utilice siempre recambios originales.

Una longitud de manguera mayor a la necesaria para llegar a todos los puntos de la piscina dificulta su uso. Recorte el tramo de manguera que le sobre. Vigile que por los terminales de goma no pierda su estanqueidad.

##### 5.5.1 Cebado de la manguera del limpiafondos:

Introducir despacio en el interior de la piscina el limpiafondos con la pértiga y la manguera conectada, verticalmente, dejando que se llene de agua, manteniendo el resto de la manguera fuera del agua. Vaya introduciendo la manguera en el agua despacio por tramos de 50 cm que deben quedar hundidos a la vez que se llenan completamente de agua, hasta el final, donde toda la manguera deberá quedar llena de agua y hundida. Si la manguera no está totalmente cebada, el limpiafondos no aspirará y podremos dañar la depuradora haciendola trabajar en vacío.

##### 5.5.2 En el modelo AR-135, AR-135L, AR-140, AR-140L

**(con skimmer de pared para Piscinas Dream Pool y Piscinas Jet Pool):**

Poner en el interior del skimmer el accesorio tapa aspiración con la toma hacia arriba, sin sacar el cesto.

Cebar la manguera.

Pasar desde EL INTERIOR DE LA PISCINA el extremo de la manguera por la compuerta del skimmer y cuidando que no entre aire en ella, conectarla a la toma de la tapa aspiración, sujetando esta en oblicuo para facilitar la unión. Luego alojarla horizontalmente introduciendo más la manguera. Atención no dañar la compuerta del skimmer en esta operación. El nivel de agua del skimmer debe estar al máximo y por encima de la unión entre la tapa y la manguera para evitar la entrada de aire.

Poner en marcha la bomba en posición de filtrado (filter) y proceder al limpiado del fondo de la piscina.

### **5.5.3 En el modelo AR-135E, AR-135ES, AR-135EUK, AR-140E, AR-140ES, AR-140EUK (con skimmer autoportante para Piscinas Magic Pool):**

Quitar el anillo superior flotante del skimmer y sin sacar el cesto prefiltro, poner en la parte superior del skimmer el accesorio tapa aspiración con la toma hacia arriba y hundir el skimmer en el interior de la piscina lo suficiente para que la tapa aspiración no tome aire.

Cebear la manguera.

Cuidando que no entre aire en ella, conectarla a la toma de la tapa aspiración. La unión de la manguera y la tapa debe quedar siempre sumergida para evitar la entrada de aire.

Poner en marcha la bomba y proceder a la limpieza del fondo de la piscina.

### **5.6 Enjuague**

Después de haber realizado un "LAVADO" del filtro y poner la instalación en posición de "FILTRACIÓN", el agua durante unos segundos afluye a la piscina de color turbio, con el fin de evitar que esta agua turbia circule a la piscina existe esta posición de la válvula selectora "ENJUAGUE", operar como sigue: Inmediatamente después del "LAVADO", parar la bomba, situar la válvula en posición de "ENJUAGUE" y conectar la bomba durante 1 minuto, transcurrido éste parar la bomba y situar la válvula en "FILTRACIÓN".

### **5.7 Cierre**

La posición de la válvula selectora cerrado (CLOSED) se utiliza para evitar la circulación del agua a través de las mangueras y del filtro.

### **5.8 Recirculación**

En esta posición la válvula selectora efectúa el paso del agua procedente de la bomba directamente a la piscina, sin pasar por el interior del filtro.

## **6 SUSTITUCIÓN DEL CABLE**

En caso de deterioro del cable proceder como sigue:

- ? Desconectar el aparato de la toma de corriente.
- ? Aflojar los tornillos que sujetan la tapa de la caja de conexiones y levantarla (Fig. 11/17)
- ? Desconectar los terminales de la caja de conexión de la bomba, prestando atención a su posición.
- ? Extraer el cable, para sustituirlo, y proceder de modo inverso al descrito.

## **7 MANTENIMIENTO**

Una vez terminada la temporada de baño se deberá guardar el filtro en lugar seco y protegido de la intemperie.

Por este motivo y tras haber hecho un autolavado final para dejar limpia la arena de sílex, se desmontarán las mangueras y se vaciará totalmente de agua el filtro a través del tapón de vaciado del depósito.

Una vez expulsada toda el agua del filtro, limpiar cuidadosamente la rosca de residuos de arena de sílex antes de volver a colocar el tapón, podrían inutilizar la rosca.

El tapón de vaciado del depósito filtro solo debe ser usado en esta operación.

**MUY IMPORTANTE:** Antes de poner el filtro en funcionamiento tras un largo periodo de inactividad, compruebe, que el eje del motor no se encuentra agarrotado, moviéndolo con un destornillador plano, por el extremo que aparece a través de la tapa de ventilación, tras el bobinado del motor, hasta que se libere y gire el eje a derecha e izquierda. Es conveniente, asimismo, asegurarse que el filtro está cebado antes de un arranque tras una parada continuada.

### **7.1 Cuidados de la bomba**

La bomba del filtro está preparada para funcionar sin ningún tipo de mantenimiento específico. Sin embargo, la utilización del aparato en piscinas con un alto índice de suciedad, especialmente hojas, puede provocar el atascamiento del eje de la bomba. En tal circunstancia proceder del modo siguiente:

- ? Desconectar el aparato de la toma de corriente.
- ? Poner la válvula en posición cerrado (closed).
- ? Poner el tapón de cierre del skimmer.
- ? Desconectar la manguera de aspiración y la manguera de impulsión de la bomba.
- ? Aflojar los tornillos que sujetan la tapa del cuerpo de la bomba.
- ? Limpiar el rodete. Si ve que está roto, consulte con el fabricante de la piscina para su sustitución.
- ? Volver a montar la tapa de la bomba asegurándose de que la junta queda bien centrada y bien apretada.
- ? Volver a montar la manguera de aspiración y la manguera de impulsión de la bomba.
- ? Quitar el tapón de cierre en el skimmer.

### **7.2 Solución de averías y servicio técnico.**

Este filtro y sus instrucciones están especialmente diseñados para una utilización familiar, sin necesidad de una intervención profesional, salvo en casos excepcionales. Aquí presentamos los problemas y causas que pueden surgir con el paso de los años de vida útil del filtro y que usted puede solucionar. En caso de no poder solucionar su problema, contacte con el fabricante de la piscina en el teléfono y horario señalado en sus instrucciones.

PROBLEMA	CAUSA	SOLUCIÓN
El filtro gotea por los terminales de las mangueras	Mala conexión de los terminales con las mangueras	En los alojamientos con rosca poner teflón e introducir los terminales de las mangueras hasta el fondo del alojamiento y apretar las abrazaderas
Una vez puesto en marcha el filtro, no da caudal en la boquilla de retorno	La válvula no está en la posición de filtrado (filter)	Desconectar el filtro y situar la válvula en la posición correcta
	El filtro está por encima del nivel del agua descebado	Situarse el filtro en una posición correcta y cebarlo
	La bomba está atascada y necesita ser desmontada	Ver apartado 7.1
	La tapa de aspiración o el tapón del skimmer están puestos	Quitar la tapa de aspiración o el tapón del skimmer
Funcionamiento intermitente	Nivel del agua en skimmer bajo	Llenar la piscina y cebar el filtro
	El filtro está descebado	Proceder al cebado del filtro
El filtro da poco caudal	A causa de su uso el filtro está sucio	Efectuar un autolavado
	El filtro está descebado	Proceder al cebado del filtro
Sale agua por la boca del filtro	La zona de unión entre la válvula y el filtro está sucia	Limpie la arena de la boca, coloque correctamente la junta en la válvula y apriete fuertemente el zuncho
	El zuncho está flojo	
La válvula del filtro gotea por el terminal de desagüe (WASTE)	Junta interior dañada por uso incorrecto del producto químico	Proceder al cambio de la tapa superior de la válvula
	Válvula cabezal rota por uso incorrecto (apriete excesivo)	No poner el producto químico en el cesto prefiltro del skimmer Cambiar válvula cabezal, no apretar excesivamente
No arranca el motor. No hace ningún ruido ni vibración	Falta corriente en la línea eléctrica.	Verificar que hay corriente en la línea eléctrica
	Terminales flojos en el motor.	Abrir el motor (apartado 6) y revisar los terminales del motor
No arranca el motor pero se oye un zumbido	Eje atascado tras una parada prolongada	Ver apartado 7
	Condensador fundido	Puede adquirirse en un establecimiento de electricidad (reposición en garantía del aparato)
	Motor fundido	Contacte con el servicio postventa del fabricante de la piscina
Pérdida de agua	Analice la causa de la pérdida de agua.	Revise abrazaderas de las mangueras Si pierde entre la bomba y el motor, contacte con el servicio postventa del fabricante de la piscina

## INDICATIONS DE SÉCURITÉ, LISEZ-LES ATTENTIVEMENT

? Pour tout ce qui concerne l'installation électrique, il faut suivre les normes :

**NF C15-100**

**NF EN 60-335-2-41**

qui ont trait "à la construction d'installations électriques, aussi bien dans des piscines couvertes que dans des piscines en plein air", ou les normes analogues en vigueur dans chaque région ou pays.

? "Toutes les filtrations suivent la norme d'installation NF C 15-100 stipulant que tout appareil électrique situé à moins de 3,50 m du bassin et librement accessible doit être alimenté en très basse tension 12 V. Tout appareil électrique alimenté en 220 V doit être situé au moins à 3,50 m du bord du bassin. Demander l'avis du fabricant pour toute modification d'un ou plusieurs éléments du système de filtration".

? L'installation électrique doit être faite par des professionnels qualifiés en installations électriques.

? La hauteur du sable ne doit pas dépasser les 2/3 de la hauteur du réservoir.

? Veillez à ce que l'appareil ne soit pas en marche pendant que vous utilisez la piscine.

? Ne faites pas fonctionner l'appareil s'il n'est pas amorcé correctement.

? Ne touchez JAMAIS le filtre en marche si vous avez le corps ou les mains humides.

? Chaque fois que vous devez manipuler le filtre ou la vanne, DÉBRANCHEZ-LES de la prise de courant.

? Vérifiez que le sol est bien sec avant de toucher l'équipement électrique.

? Ne placez pas le filtre dans un endroit où il pourrait être mouillé, cela pourrait causer une électrocution.

? Interdisez aux enfants et aux adultes de s'appuyer ou de s'asseoir sur l'appareil.

? Il faut remplacer le câble flexible d'alimentation de cet appareil, s'il est abîmé. Lisez attentivement les instructions pour le remplacer. Si vous avez un doute quelconque, veuillez consulter un service technique.

### 1 L'EMBALLAGE CONTIENT :

Le filtre dont vous venez de faire l'achat est un appareil spécialement conçu et dessiné pour être utilisé dans des piscines surélevées. Vous avez maintenant à votre disposition un équipement d'une conception innovatrice et d'une grande fonctionnalité comprenant, en un seul appareil, l'ensemble des éléments nécessaires au filtrage de l'eau, c'est-à-dire le filtre, la pompe et la vanne de sélection. Les principaux éléments de ce filtre sont:

Modelo	Fig.	Pos	Denominación
AR135 / 140 AR135L / 140L AR135E / 140E AR1350 / 1400	1	1	Filtre
	1	2	Pompe
	1	3	Vanne de sélection 1-1/2"
	1	4	Bouchon de vidange
	1	5	Câble d'alimentation électrique
	4	6	Frette
	1-8-9-14-15	8	Tuyau ø38 mm x 0,58 m
AR135 / 140 AR135L / 140L AR135E / 140E	5A / 5B	7	Sable de silice
			1 Tuyau ø38 mm x 1,5 m (lavage du sable)
	3-8-9-14-15	10	2 tuyau ø38 mm x 4,5 m
	8-9-14-15	13	Brides
	9-15	14	Écrou 2-1/4"
	9-15	15	Raccord à tourillon ø38 mm
	9-15	16	Joint torique
AR140 / AR140E	8	11	Joint plat manchon 1-1/2"
AR140L / AR1400	8	12	Manchon 1-1/2"
AR135 / 140	3	17	Skimmer pour mur, piscines Dream Pool
AR135E / 140E	3	18	Skimmer autoportant, piscines Magic Pool
AR135L / 140L	3	19	Skimmer pour mur, piscines Jet Pool
AR1350 / 1400	Sable et composants de connexion à la piscine non livrés avec l'appareil		

### 1.2 CONSEILS POUR UNE CORRECTE INSTALLATION

Étant facile à monter, cet appareil peut être monté par une seule personne adulte et dans un temps d'environ **2 HEURES**, les instructions détaillées dans ce manuel devant, à tout instant, être suivies correctement.

Pour une manipulation correcte des composants du filtre et pour leur correcte installation, vous n'aurez besoin que des outils suivants :



Fonction	Outil	Outil alternatif
Serrer les colliers des tuyaux	Tournevis stecker 7mm	Tournevis bouche philips
Couper le liner	Cutter	Lame
Protection du tube du collecteur	Morceau de plastique	Morceau de tissu

## 2 AVANT DE CONNECTER LE FILTRE

### 2.1 Situation

Placer le filtre sur une surface plane et solide, à une distance d'au moins 3,5 mètres de la piscine (selon la norme **NF C15-100** ou analogue en vigueur dans chaque région ou pays) et au même niveau que le fond de la piscine pour éviter que l'air pénètre dans le circuit d'épuration et que le filtre se désamorçe (Fig. 2). Il est recommandé de protéger le filtre du soleil et de la pluie et de toujours avoir suffisamment de ventilation pendant le fonctionnement de l'appareil ; ne jamais le recouvrir pendant le fonctionnement.

### 2.2 Montage

Une fois le filtre mis en place, procéder comme suit :

#### 2.2.1 Recharge du sable AR-135 / AR-135L / AR-135E

- ? Boucher l'orifice du collecteur situé à l'intérieur du filtre avec un plastique de protection pour éviter que le sable y pénètre (Fig. 5 A).
- ? Loger le collecteur intérieur correctement dans le fond du filtre (Fig. 6).
- ? **Introduire à l'intérieur du filtre seulement 40 kg de sable (Fig. 5 A), le sable étant livré en sacs de 25 kg.**
- ? La durée du sable de silice est illimitée. Il ne faut en remettre qu'en cas de perte. Prenez note du niveau qu'atteint le sable de silice pour savoir comment le compléter à l'avenir. Ranger le sac avec le sable restant dans un lieu sec.
- ? Éliminer les restes de sable de la bouche du filtre et retirer le plastique de protection.
- ? Placer la vanne de sélection TOP et le joint correspondant et placer la frette selon les dessins figurant sur la feuille que vous trouverez dans le sachet d'accessoires.
- ? Bien serrer la fermeture (Pos. 6 Fig. 4) fixant la vanne au filtre .

#### 2.2.2 Recharge du sable AR-140 / AR-140L / AR-140E

- ? Boucher l'orifice du tuyau du collecteur intérieur avec un plastique de protection pour éviter que le sable y pénètre (Fig.5 B).
- ? Loger le collecteur intérieur correctement dans le fond du filtre (Fig. 6).
- ? Placer le collecteur de telle manière que le tuyau purge du collecteur (Pos. B Fig. 7) coïncide avec le creux de la vanne à sa partie inférieure (Pos. A Fig. 7). Ce tuyau (B) sert à extraire l'air qui puisse rester dans le collecteur
- ? **Introduire à l'intérieur du filtre seulement 85 kg de sable (Fig. 5 B), le sable étant livré en sacs de 25 kg.**
- ? La durée du sable de silice est illimitée. Il ne faut en remettre qu'en cas de perte. Prenez note du niveau qu'atteint le sable de silice pour savoir comment le compléter à l'avenir. Ranger le sac avec le sable restant dans un lieu sec.
- ? Éliminer les restes de sable de la bouche du filtre et retirer le plastique de protection.
- ? Remettre la vanne de sélection TOP et le joint correspondant et placer la fermeture.
- ? Bien serrer la fermeture (Pos. 6 Fig. 4) fixant la vanne au filtre .

#### 2.2.3 Raccord des tuyaux

##### Sur les Modèles AR-135, AR-135L, AR-135E

Raccorder une extrémité du tuyau de 0.58 m. (Pos.8 Fig.14) sur l'embout de la vanne multivoie (sur laquelle est notée position PUMP) en serrant bien avec une bride et raccorder l'autre extrémité au raccordement de tourillon de la partie supérieure du moteur (Pos.15 Fig.15) (qui vous est livré monté) à l'aide d'une bride.

Raccorder une extrémité d'un des tuyaux de 4,5 m (Pos.10 Fig.14) sur l'embout de la vanne multivoie (sur laquelle est notée position RETURN) au moyen d'une bride (Fig.14), raccorder l'autre extrémité de ce tuyau à la buse de retour dans la piscine au moyen d'une bride (Fig.3).

Raccorder une extrémité de l'autre tuyau de 4,5 m au skimmer à l'aide d'une bride (Fig.3)

Raccorder l'autre l'extrémité (Pos.10 Fig.15) au couvercle d'aspiration à l'aide d'une bride.

##### Sur les Modèles AR-140 , AR-140L , AR-140E

Raccorder une extrémité du tuyau de 0.58 m. (Pos.8 Fig.8) au manchon d'entrée de la vanne de sélection (qui vous est livré monté dans la position PUMP) en serrant bien avec une bride et raccorder l'autre extrémité au raccordement de tourillon de la partie supérieure du moteur (Pos.15 Fig.9 et Fig.15) (qui vous est livré monté) à l'aide d'une bride.

Mettre un joint plat (Pos.11 Fig.8) dans son logement à l'intérieur de la prise de retour (RETURN) de la vanne de sélection et visser fortement un manchon (Pos.12 Fig.8), raccorder une extrémité d'un des tuyaux de 4,5 m (Pos.10 Fig.8) à ce manchon au moyen d'une bride (Fig.8), raccorder l'autre extrémité de ce tuyau à la buse de retour dans la piscine au moyen d'une bride (Fig.3).

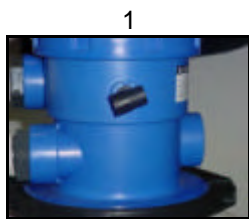
Raccorder une extrémité de l'autre tuyau de 4,5 m au skimmer à l'aide d'une bride (Fig.3) placer le joint torique (Pos.16 Fig.9) dans son logement à l'entrée de la pompe, introduire le raccord de tourillon

(Pos.15 Fig.9) dans l'écrou (Pos.14 Fig.9), et visser fortement celui-ci au raccord.

Raccorder l'extrémité du tuyau de 4,5 m (Pos.10 Fig.9), qui va du skimmer à ce raccord, à l'aide d'une bride.

## 2.2.4 Montage du manomètre.

SANS MANOMÈTRE



## 3 BRANCHEMENT ÉLECTRIQUE

Pour tout ce qui a trait à l'installation électrique, il faut suivre les normes :

**NF C15-100**

**NF EN 60-335-2-41**

qui se réfèrent "à la construction des installations électriques, aussi bien dans les piscines couvertes que dans les piscines en plein air", ou les normes analogues en vigueur dans chaque région ou pays.

La pompe doit être branchée sur une prise de courant de 230 V alterné et 50 Hz, avec prise de terre.

Consommation 3.4 A.

Il est indispensable d'utiliser un interrupteur à un seul pôle pour laisser le filtre hors tension lorsqu'il n'est pas utilisé, ainsi qu'un différentiel de 30 mA. pour se protéger contre les décharges. (Non livré avec l'appareil, peut être acquis dans un magasin de matériel électrique)

## 4 VANNE DE SÉLECTION SUPÉRIEURE

La vanne de sélection supérieure est chargée de sélectionner les 6 fonctions différentes du filtre : lavage du sable (backwash), remise en circulation (recirculation), rinçage (rinse), filtrage (filter), vidange (waste), et fermeture (closed). Pour faire changer la position de la vanne, procéder comme suit :

? Toujours débrancher la prise.

? Faire pression avec fermeté sur les commandes supérieures de la vanne jusqu'à ce que cesse la résistance du ressort interne, désencastrer le nerf avant de son logement, jusqu'à ce qu'il nous permette de le faire tourner sur lui-même.

? Faire tourner doucement la commande jusqu'à ce qu'il soit possible d'aligner le nerf avant avec le logement de l'opération désirée.

? Laisser aller la commande sans brusquer, en vérifiant que le nerf avant est bien encastré dans son logement.

## 5 FONCTIONNEMENT

**LE PRODUIT CHIMIQUE NE DOIT JAMAIS ÊTRE MIS DANS LE PANIER OU VERSÉ À TRAVERS LE FILTRE, CELA POURRAIT DÉTÉRIORER LES MATÉRIAUX DE L'APPAREIL ET EN LIMITER L'EFFICACITÉ**

Le fonctionnement de ce filtre se base sur la capacité de filtrage du sable de silex qu'il contient. L'eau de la piscine est impulsée par la pompe du filtre qui la force à passer à travers le sable de silex et les impuretés en suspension dans l'eau sont retenues par le sable agissant comme élément filtrant. L'environnement de la piscine - arbres, pollen, insectes - ainsi que la fréquence des bains sont, entre autres, les facteurs responsables du degré de saleté de l'eau de la piscine, en fonction desquels il faudra laver plus ou moins fréquemment le sable de silex du filtre, (voir paragraphe 5.3). Pour maintenir l'eau de la piscine en bon état, il faut aussi utiliser les produits chimiques recommandés par le fabricant (chlore, produit antialgues, floculant, etc.).

### 5.1 Amorçage du filtre

Le filtre doit toujours être correctement amorcé. Quand il ne l'est pas, cela signifie qu'il s'est produit une entrée d'air à l'intérieur, qui risque de rendre défectueuse la circulation de l'eau, ce qui empêche le sable de silex de la filtrer comme il faut et abîme le moteur.

Le filtre peut s'être désamorcé pour différentes raisons :

- ? Mise en marche d'un nouvel équipement.
- ? Mise en marche d'un équipement après une longue période de non utilisation.
- ? Après utilisation incorrecte d'un nettoyeur de fond à système d'aspiration.
- ? Absorption d'air par le skimmer à cause du bas niveau de l'eau dans la piscine.
- ? À cause d'une mauvaise utilisation de l'équipement, du bouchon d'aspiration ou de celui du skimmer.

#### 5.1.1 Quand le filtre est-il désamorcé?

On le détectera dans les cas suivants :

- ? Si l'eau pénétrant dans le filtre fait un bruit de chute libre, cela signifiant qu'il s'est créé une chambre d'air entre l'entrée de l'eau et le sable de silex.
- ? Si les bulles d'air sortant de la buse de retour sont trop nombreuses.
- ? Si le nettoyeur de fond (non livré avec l'appareil) n'aspire pas, alors que le sable de silex est propre et vient d'être lavé.
- ? Si le manomètre est en position 0 bar.

### 5.1.2 Comment amorcer le filtre?

- ? Vérifier que le tuyau d'aspiration est bien connecté au skimmer et que le pas est bien ouvert (que le couvercle n'est pas mis).
- ? Débrancher le filtre de la prise de courant.
- ? La vanne se trouvant en position de filtrage (filter), desserrer légèrement l'écrou de purge qui se trouve à côté du manomètre pour laisser sortir l'air accumulé à l'intérieur du filtre. Si le manomètre n'est pas mis en place, mettre la vanne en position de WASTE.
- ? Lorsqu'on observe qu'il sort seulement de l'eau (entre 1 et 2 minutes), refermer l'écrou de purge.
- ? Brancher le filtre à la prise de courant et vérifier que l'on n'entend plus le bruit de la chute de l'eau. Dans le cas contraire, il faut refaire l'opération.

## 5.2 Filtrage

**NE MANIPULER EN AUCUN CAS LA VANNE LORSQUE LE MOTEUR EST EN MARCHÉ**

Avant la filtration initiale, réaliser un lavage du sable. (Paragraphe 5.3)

La vanne doit être en position de filtrage (FILTER). La vie utile du filtre est prolongée par des périodes d'utilisation continue n'excédant pas 4 heures. Vos besoins de filtrage quotidien sont déterminés par le volume d'eau de votre piscine calculés en m<sup>3</sup> par rapport aux m<sup>3</sup>/h de débit du filtre pour une température de l'eau d'environ 21° C et le filtre étant placé à 3,5 m de votre piscine. Il faut laisser le moteur reposer au moins 2 heures entre deux périodes de fonctionnement de 4 heures chacune.

$$\frac{\text{Volume piscine en m}^3}{\text{Débit filtre en m}^3/\text{h}} = \text{heures nécessaires}$$

Exemple :

$$\frac{42 \text{ m}^3}{5,5 \text{ m}^3/\text{h}} = 7,63 \text{ heures} \quad \begin{array}{l} \text{2 cycles de 4 heures avec un cycle} \\ \text{intermédiaire de 2 heures de repos} \end{array}$$

Il faut respecter les périodes de temps de repos indiquées lors du traitement initial de filtrage. Il est recommandé d'augmenter la durée de filtration au fur et à mesure qu'augmente la température de l'eau de votre piscine.

## 5.3 Lavage du sable

Le processus de lavage consiste à laver le sable de silex se trouvant à l'intérieur du filtre. Ce processus doit avoir lieu régulièrement. Il faut donc faire bien attention aux différents facteurs indiquant que l'eau est sale :

- ? Lorsqu'on détecte que le débit de retour de l'eau est plus faible, après avoir vérifié que la pompe était bien amorcée.
- ? Lorsque le manomètre indique un excès de pression (l'aiguille se trouvant entre le jaune et le rouge ou sur le rouge).

### 5.3.1 Pour le lavage du filtre, procéder comme suit :

- ? Débrancher le filtre de la prise de courant. Ne jamais déplacer la vanne de sélection lorsque le moteur est en marche.
- ? Faire pression avec fermeté sur les commandes supérieures de la vanne jusqu'à ce que cesse la résistance du ressort interne, désencastrer le nerf avant de son logement, jusqu'à ce qu'il nous permette de le faire tourner sur lui-même..
- ? Faire tourner doucement la commande jusqu'à ce qu'il soit possible d'aligner le nerf avant avec le logement de l'opération de lavage (backwash).
- ? Connecter le tuyau de ø 38 mm x 1,5 m à l'aide du manchon de 1 ½ " à la sortie d'eau (waste) de la vanne et diriger l'autre extrémité du tuyau vers le trop-plein ou vers un égout sur les modèles AR140, AR140E, AR140L. Connecter le tuyau de ø 38 mm x 1,5 m directement sur l'embout de la vanne (waste) et diriger l'autre extrémité du tuyau vers le trop-plein ou vers un égout sur les modèles AR135, AR135E, AR135L.
- ? Mettre le filtre en marche pendant 2 mn. environ, jusqu'à ce qu'il n'y ait plus d'impuretés dans l'eau qui en sort. On peut observer le déroulement du processus par le petit hublot se trouvant sur le côté.
- ? Arrêter le filtre.
- ? Placer la vanne en position de rinçage (risne) et connecter le filtre pendant quelques secondes.
- ? Arrêter le filtre, mettre dans la position voulue de filtrage (filter) et retirer le tuyau de la position d'évacuation de l'eau (waste), le cas échéant.

#### 5.4 Vidange de la piscine

Le filtre permet de vidanger presque complètement la piscine une fois terminée la saison des bains. Pour cela, vous devrez mettre la vanne de sélection supérieure en position d'évacuation de l'eau (waste), mais sans connecter encore le filtre. Connecter le tuyau de  $\varnothing$  38 mm x 1,5 m à la sortie d'eau (waste) de la vanne et diriger l'autre extrémité du tuyau vers le trop-plein ou vers un égout. Et, selon le modèle de skimmer, procéder de la façon suivante :

##### 5.4.1 Pour les modèles AR-135, AR-135L, AR-140 , AR-140L

(avec skimmer pour mur Piscines Dream Pool et Piscines Jet pool ) :

- ? Retirer le panier intérieur du skimmer et boucher l'aspiration avec le bouchon prévu à cet effet.
- ? Déconnecter le tuyau d'aspiration de la prise du skimmer, en desserrant la bride de fixation. Tenir fermement le tuyau pour qu'il ne perde pas d'eau et le plonger immédiatement dans la piscine pour qu'il ne se désamorçe pas.
- ? Lester l'extrémité de ce tuyau avec quelque chose de lourd qui ne puisse pas endommager le liner, pour en forcer l'immersion au fond de la piscine.
- ? Mettre la pompe en marche et vider la piscine. Ne pas oublier que le filtre ne permet pas de vider entièrement la piscine, et lorsqu'il ne restera plus que quelques centimètres d'eau que la pompe ne pourra plus aspirer, il faudra l'éteindre.
- ? Lorsque la pompe est mise en marche pour vider la piscine, ne pas interrompre le processus avant la fin pour qu'elle ne se désamorçe pas.
- ? Si la piscine doit être de nouveau remplie d'eau, il faut d'abord retirer à la main l'eau qui reste, sans endommager le liner.
- ? Si la piscine va être démontée, on peut replier le liner contenant le reste d'eau au centre.
- ? Retirer la bonde sur le modèle DREAM POOL ou les tubes sur le modèle JET POOL.
- ? Déplier le liner pour vider complètement la piscine.
- ? Cette opération ne doit être effectuée que lorsqu'on veut démonter la piscine.

##### 5.4.2 Pour le modèle AR-135E, AR-140E

(avec skimmer autoportant pour Piscines Magic Pool) :

- A part le trop-plein faisant partie de la piscine, on peut employer le purificateur pour la vider :
- ? Soulever le skimmer autoportant jusqu'à ce qu'il pende sur la paroi extérieure de la piscine, pour éviter que l'eau y pénètre.
  - ? Déconnecter le tuyau d'aspiration de la prise du skimmer par la paroi extérieure de la piscine, en desserrant avec précaution la bride qui le fixe pour ne pas endommager le liner et tout en tenant bien le tuyau pour qu'il ne perde pas d'eau et le plonger immédiatement dans la piscine pour qu'il ne se désamorçe pas.
  - ? Lester l'extrémité de ce tuyau avec quelque chose de lourd qui ne puisse pas endommager le liner, pour en forcer l'immersion au fond de la piscine.
  - ? Mettre la pompe en marche et vider la piscine. Ne pas oublier que le filtre ne permet pas de vider entièrement la piscine, et que quand la pompe ne pourra plus aspirer d'eau, il faudra l'éteindre.
  - ? Lorsque la pompe est mise en marche pour vider la piscine, ne pas interrompre le processus avant la fin pour qu'elle ne se désamorçe pas.
  - ? Si la piscine doit être de nouveau remplie d'eau, il faut d'abord retirer par le trop-plein l'eau restante sans endommager la piscine

**IL FAUT EVITER QUE LE TUYAU NE CONTINUE A ASPIRER LE FOND DE LINER DE LA PISCINE CAR UN FONCTIONNEMENT SANS CIRCULATION D'EAU POURRAIT ENDOMMAGER SERIEUSEMENT LA POMPE OU LE LINER PAR SUCCION.**

#### 5.5 Nettoyage du fond de la piscine

Pour nettoyer le fond de la piscine, on peut se servir de la pompe du filtre, avec l'un des accessoires suivants : Nettoyeur de fond "Rifón" / **AR-206**, Nettoyeur de fond "Oval" / **AR-207** (il vous faudra aussi un tuyau de  $\varnothing$ 38 mm / **AR-210** et une perche / **AR-102**). Consultez votre revendeur ou le Service Après-Vente du fabricant de la piscine. N'utilisez que des pièces de rechange d'origine.

Un tuyau plus long que la longueur nécessaire pour parvenir à tous les points de la piscine complique la manipulation. Mieux vaut couper le morceau en trop. Faites bien attention que les extrémités de caoutchouc ne perdent pas leur étanchéité.

##### 5.5.1 Amorçage du tuyau du nettoyeur de fond :

Introduire délicatement le nettoyeur de fond avec la perche et le tuyau connecté à l'intérieur de la piscine, verticalement et en le laissant se remplir d'eau, tout en maintenant le reste du tuyau en dehors de l'eau. Introduire ensuite petit à petit le tuyau dans l'eau de 50 cm en 50 cm, les segments introduits devant se remplir complètement d'eau au fur et à mesure qu'ils s'enfoncent. A la fin de l'opération, tout le tuyau doit être plongé dans l'eau et rempli. Si le tuyau n'est pas entièrement amorcé, le nettoyeur de fond ne pourra pas aspirer et le purificateur pourrait s'endommager en fonctionnant à vide.

##### 5.5.2 Pour les modèles AR-135, AR-135L, AR-140 , AR-140L

(avec skimmer pour mur Piscines Dream Pool et Piscines Jet pool ) :

Mettre à l'intérieur du skimmer l'accessoire destiné à boucher l'aspiration avec la prise dirigée vers le haut, sans retirer le panier.

Amorcer le tuyau.

Faire passer depuis L'INTÉRIEUR DE LA PISCINE l'extrémité du tuyau par la vanne du skimmer en faisant attention que l'air n'y pénètre pas, la connecter à la prise du bouchon d'aspiration, en le tenant obliquement pour en faciliter le raccord. L'encastrier ensuite horizontalement en introduisant plus profondément le tuyau. Faire bien attention à ne pas détériorer la vanne du skimmer au cours de cette opération.

Le niveau d'eau du skimmer doit être au maximum et au-dessus du raccord entre le bouchon et le tuyau pour éviter la pénétration de l'air.

Mettre la pompe en marche en position de filtrage (filter) et procéder au nettoyage du fond de la piscine.

### **5.5.3 Pour les modèles AR-135E, AR-135ES, AR-135EUK, AR-140E, AR-140ES, AR-140EUK (avec skimmer autoportant pour Piscines Magic Pool) :**

Retirer la bague supérieure flottante du skimmer et, sans retirer le panier pré-filtre, placer sur la partie supérieure du skimmer l'accessoire du bouchon d'aspiration avec la prise dirigée vers le haut et plonger le skimmer à l'intérieur de la piscine suffisamment pour qu'il ne pénètre pas d'air dans le bouchon d'aspiration.

Amorcer le tuyau.

Faire attention que l'air n'y pénètre pas et le connecter à la prise du bouchon d'aspiration. Le raccord entre le tuyau et le bouchon doit toujours être submergé pour éviter que l'air y pénètre.

Mettre la pompe en marche et procéder au nettoyage du fond de la piscine.

### **5.6 Rinçage**

Après avoir réalisé un "LAVAGE" du filtre, mettre l'installation en position de "FILTRATION". Pendant quelques secondes, l'eau qui coule dans la piscine est trouble ; pour éviter que cette eau trouble circule dans la piscine, il existe cette position de la vanne de sélection "RINÇAGE". Procéder comme suit : Immédiatement après le "LAVAGE", arrêter la pompe, placer la vanne en position de "RINÇAGE" et faire marcher la pompe pendant une minute. Puis, arrêter la pompe et placer la vanne en position de "FILTRATION".

### **5.7 Fermeture**

On utilise la position FERMÉ de la vanne de sélection (CLOSED) pour empêcher la circulation de l'eau à travers les tuyaux et le filtre.

### **5.8 Recirculation**

Dans cette position, la vanne de sélection effectue le passage de l'eau provenant de la pompe directement à la piscine, sans passer à l'intérieur du filtre.

## **6 REMPLACEMENT DU CÂBLE**

Lorsque l'état du câble laisse à désirer et doit être remplacé, procéder de la façon suivante :

- ? Débrancher l'appareil de la prise de courant.
- ? Dévisser les vis qui retiennent le couvercle de l'armoire de connexions et soulever celui-ci (Fig. 11/17)
- ? Débrancher les bornes de l'armoire de connexion de la pompe, en faisant attention à bien retenir leur position.
- ? Extraire le câble pour le remplacer et refaire l'opération en sens inverse.

## **7 ENTRETIEN**

Une fois terminée la saison des bains, il faut ranger le filtre dans un endroit sec et à l'abri des intempéries.

C'est pourquoi, une fois réalisé un dernier autolavage pour que le sable de silex soit bien propre, il faut démonter les tuyaux et vider complètement d'eau le filtre en la faisant couler par le bouchon de vidange du réservoir.

Lorsqu'il ne reste plus du tout d'eau dans le filtre, nettoyer soigneusement la partie filetée pour qu'il n'y reste plus de sable de silex du tout avant de remettre en place le bouchon, car des résidus pourraient l'endommager.

Le bouchon de vidange du réservoir filtre ne doit être utilisé que pour cette opération.

**TRÈS IMPORTANT** : avant de mettre le filtre en route après une longue période d'inactivité, vérifier que l'axe du moteur n'est pas grippé, en le faisant bouger légèrement avec un tournevis plat, par l'extrémité apparaissant à travers le couvercle de ventilation, derrière la bobine du moteur, jusqu'à ce qu'il se libère et tourne sur son axe de droite à gauche. Il est également recommandé de vérifier que le filtre est bien amorcé avant de le mettre en marche après une longue période d'arrêt.

### **7.1 Soins à apporter à la pompe**

La pompe du filtre est préparée pour fonctionner sans aucun type d'entretien spécifique. Pourtant lorsque l'on utilise l'appareil dans des piscines où l'indice de salissure de l'eau est élevé, spécialement à cause des feuilles qui y tombent, l'axe de la pompe peut se bloquer. Si cela se produit, procéder de la façon suivante :

- ? Débrancher l'appareil de la prise de courant.
- ? Mettre la vanne en position FERMÉ (closed).
- ? Poser le bouchon de fermeture du skimmer.
- ? Déconnecter le tuyau d'aspiration et le tuyau d'impulsion de la pompe.
- ? Dévisser les vis qui retiennent le couvercle du corps de la pompe.
- ? Nettoyer le coussinet. S'il est cassé, consultez le fabricant de la piscine pour savoir comment le remplacer.
- ? Remonter le couvercle de la pompe en s'assurant que le joint est bien centré et bien serré.
- ? Remettre en place le tuyau d'aspiration et le tuyau d'impulsion de la pompe.

? Retirer le bouchon de fermeture du skimmer.

## 7.2 Résolution de pannes et service technique.

Ce filtre et les instructions données ont été spécialement conçus pour être utilisés en famille, sans avoir à faire intervenir, sauf cas exceptionnel, un professionnel. Nous vous présentons ici quelques-uns des problèmes pouvant se présenter avec le passage des années et la diminution de la vie utile du filtre, ainsi que les causes de ces problèmes, et la solution à y apporter. Si cela s'avère impossible, mettez-vous en contact avec le fabricant de la piscine. Le numéro de téléphone et les horaires sont indiqués sur les instructions.

PROBLÈME	CAUSE	SOLUTION
Le filtre goutte par les bouts des tuyaux	Mauvaise connexion des bouts avec les tuyaux	Garnir de Téflon les logements filetés et introduire les extrémités des tuyaux jusqu'au fond de leur logement et bien serrer les brides
Lorsque le filtre est en marche, il n'y a pas de débit dans la buse de retour	La vanne n'est pas en position de filtrage (filter)	Débrancher le filtre et placer la vanne dans la bonne position
	Le filtre se trouve au-dessus du niveau de l'eau, désamorcé	Mettre le filtre dans la bonne position et l'amorcer
	La pompe est bloquée et doit être démontée	Voir paragraphe 7.1
Fonctionne par intermittence	Les bouchons d'aspiration et du skimmer sont en place	Retirer le bouchon d'aspiration ou celui du skimmer
	Niveau de l'eau trop bas dans le skimmer	Remplir la piscine et amorcer le filtre
Le débit du filtre est faible	Le filtre est désamorcé	Amorcer le filtre
	Le filtre a été sali par l'usage	Effectuer un autolavage
L'eau sort par la buse du filtre	Le filtre est désamorcé	Amorcer le filtre
	La zone de raccord entre la vanne et le filtre est sale	Retirer le sable de la buse, mettre correctement en place le joint de la vanne et bien serrer la frette
La vanne du filtre goutte par l'extrémité du trop-plein (WASTE)	La frette est mal serrée	
	Joint inférieur endommagé par le mauvais usage fait d'un produit chimique	Remplacer le couvercle supérieur de la vanne Ne pas mettre ce produit chimique dans le panier supérieur du skimmer
Le moteur ne démarre pas. Il n'y a ni bruit ni vibration	Vanne tête cassée à cause d'un usage incorrect (trop serrée)	Remplacer la vanne de la tête, et ne pas serrer avec exagération
	Pas de courant sur la ligne électrique	Vérifier que le courant arrive bien
Le moteur ne démarre pas mais on entend un bourdonnement	Bornes mal serrées dans le moteur.	Ouvrir le moteur (paragraphe 6) et vérifier les bornes du moteur
	Axe bloqué après un arrêt prolongé	Voir paragraphe 7
	Condensateur grillé	Peut se trouver dans un magasin de matériel électrique (remplacement gratuit si l'appareil est en garantie)
Perte d'eau	Moteur grillé	Mettez-vous en contact avec le service après-vente du fabricant de la piscine
	Analyser la cause de la perte d'eau	Vérifier les brides des tuyaux Si l'eau fuit entre la pompe et le moteur, mettez-vous en contact avec le service après-vente du fabricant de la piscine

**SICHERHEITSHINWEISE, BITTE AUFMERKSAM LESEN**

? Bei der gesamten Installation elektrischer Komponenten muss folgende Norm befolgt werden:

**NF C15-100**

**NF EN 60-335-2-41**

Diese Norm bezieht sich auf *“den Aufbau von elektrischen Installationen in Hallenbädern und Freibädern”*. Ebenso müssen die Normen befolgt werden, die in jeder Region oder jedem Land anwendbar sind.

*“Alle Filtereinrichtungen entsprechen der Norm für die Installation C 15-100, die angibt, dass alle elektrischen Apparate, die sich in weniger als 3,5 m Entfernung vom Schwimmbad befinden und frei zugänglich sind, mit einer Niederspannung von 12 V gespeist werden müssen. Alle Apparate, die mit 220 V gespeist werden, müssen sich mindestens 3,5 m vom Rand des Schwimmbeckens entfernt befinden. Wenn ein oder mehrere Elemente des Filtersystems geändert werden sollen, muss der Hersteller die entsprechende Genehmigung erteilen”*

- ? Die elektrische Installation muss von Fachleuten für elektrische Installationen durchgeführt werden.
- ? Die Höhe des Sandes darf nicht mehr als 2/3 der Höhe des Tanks betragen.
- ? Lassen Sie den Apparat nicht angeschaltet, wenn Sie das Schwimmbecken benutzen.
- ? Lassen Sie den Apparat nie laufen, ohne ihn vorher korrekt gefüllt zu haben.
- ? Berühren Sie NIE den eingeschalteten Filter, wenn Ihr Körper oder Ihre Hände nass sind.
- ? Immer, wenn Sie am Filter oder dem Ventil arbeiten müssen, UNTERBRECHEN Sie die Stromverbindung.
- ? Vergewissern Sie sich, dass der Boden trocken ist, bevor Sie die elektrische Ausrüstung berühren.
- ? Setzen Sie den Filter nie dort ein, wo er nass werden kann. Das kann zu einem tödlichen Stromschlag führen.
- ? Erlauben Sie nicht, dass sich Kinder oder Erwachsene an den Apparat anlehnen oder auf ihn setzen.
- ? Wenn das flexible Kabel für den Stromanschluss beschädigt ist, muss es ausgetauscht werden. Lesen Sie aufmerksam die Anweisungen für den Austausch. Im Zweifelsfalle ist der Kundendienst zu befragen.

**1 TEILELISTE**

Bei dem soeben von Ihnen erstellten Filter handelt es sich um einen Apparat, der speziell für die Verwendung bei erhöhten Swimmingpools erdacht und hergestellt wurde. Dank seines innovativen Designs und der großen Funktionsfähigkeit verfügen Sie über die unterschiedlichen Elemente, die für das Filtern von Wasser erforderlich sind: Filter, Pumpe und Wechselventil in einem einzigen Apparat. Die wichtigsten Teile dieses Filters sind:

<b>Modelo</b>	<b>Fig.</b>	<b>Pos</b>	<b>Denominación</b>
AR135 / 140 AR135L / 140L AR135E / 140E AR1350 / 1400	1	1	Filter
	1	2	Pumpe
	1	3	Wahlventil 1-1/2"
	1	4	Auslaufdeckel
	1	5	Kabel für die Elektrozufuhr
	4	6	Zwinge
	1-8-9-14-15	8	Schlauch ø38 mm x 0,58 m
AR135 / 140 AR135L / 140L AR135E / 140E	5A / 5B	7	Silikage
			1 Schlauch ø38 mm x 1,5 m (Reinigung des Silikagels)
	3-8-9-14-15	10	2 schlauch ø38 mm x 4,5 m
	8-9-14-15	13	Schellen
	9-15	14	Schraube 2 – 1/4"
	9-15	15	Anschluss Gewindezapfen ø 38 mm
AR140 / AR140E AR140L / AR1400	8	11	Flache Dichtung Muffe-Muffe 1 – 1/2"
	8	12	Muffe 1 – 1/2"
AR135 / 140	3	17	Wandskimmer, Swimmingpools Typ Dream Pool
AR135E / 140E	3	18	Selbsttragender Skimmer, Swimmingpools Typ Magic Pool
AR135L / 140L	3	19	Wandskimmer, Swimmingpools Jet Pool
AR1350 / 1400	Sand und Zubehör für den Anschluss an das Schwimmbecken nicht mitgeliefert		

**1.1 VORRAUSSETZUNGEN FÜR DIE KORREKTE INSTALLATION**

Die Installation dieser Anlage ist sehr einfach, deshalb kann **ein Erwachsener** sie in ungefähr **2 STUNDEN** fertigstellen. Dabei müssen die Anleitungen in diesem Handbuch genau befolgt werden.

Folgende Werkzeuge sind für den korrekten Umgang und Einbau der Filterkomponenten notwendig:

Funktion	Werkzeug	Alternatives Werkzeug
Anziehen der Klemmen der Schläuche	Schraubendreher 7 mm	Schraubendreher Typ Philips
Ausschneiden des Liner	Cutter	Messer
Schutzabdeckung des Rohrs des Auffangs	Ein Stück Kunststoff	Ein Stück Stoff

## 2 VOR ANSCHLUSS DES FILTERS

### 2.1 Lage

Das Filter auf einer flachen und festen Unterfläche anbringen, und zwar in einem Abstand von nicht weniger als 3,5 m vom Schwimmbecken entfernt (laut Norm NF C15-100 oder analoger in der jeweiligen Region oder im jeweiligen Land gültigen Norm) oder auf dem Boden des Schwimmbeckens, um zu vermeiden, dass in den Reinigungskreislauf Luft eindringt und sich das Filter löst. (Abb. 2). Es ist ratsam, den Filter vor Sonne und Regen zu schützen und für ausreichende Belüftung zu sorgen, wenn er arbeitet.

### 2.2 Montage

Nach erfolgter Aufstellung des Filters ist wie folgt vorzugehen:

#### 2.2.1 Einfüllen des Silikagels AR-135, AR-135E, AR-135L

- ? Die Rohröffnung des Behälters innen im Filter mit einem Plastikschild abdecken, um zu vermeiden, dass Sand eindringt (Abb. 5 A)
- ? Der Innenbehälter wird korrekt auf den Boden des Filters gesetzt (Abb. 6).
- ? **Nur 40 Kg des Silikagels in den Filter schütteln.** (Abb. 5 A).
- ? Das Silikagel wird in 25 kg-Säcken geliefert. Das Silikagel hat eine uneingeschränkte Lebensdauer. Es muss nur bei Verlust nachgefüllt werden. Für zukünftige Nachfüllungen die Einschütthöhe des Silikagels notieren. Der Sack mit dem übriggebliebenen Sand in einem trockenen Platz aufbewahren.
- ? Beseitigen Sie die Sandreste am Filtereintritt und entfernen Sie den Plastikschild.
- ? Setzen Sie das Wechselventil TOP zusammen mit der Dichtung ein, bringen Sie die Schelle oder den Verschluss laut den Abbildungen (beiliegendes Blatt Schelle) an.
- ? Ziehen Sie die Schraube der Schelle, die das Ventil am Filter festhält, fest an (Pos. 4 Abb. 6).

#### 2.2.2 Einfüllen des Silikagels AR-140, AR-140E, AR-140L

- ? Die Rohröffnung des inneren Behälters mit einem Plastikschild abdecken, um zu vermeiden, daß Sand eindringt (Zeichng. 5 B)
- Der Innenbehälter wird korrekt auf den Boden des Filters gesetzt (Zeichng. 6).
- ? Legen Sie das Ventil so, dass das Entleerungsrohr des Wasserverteilers (Pos.7 Abb. B) mit dem Loch auf der unteren Seite des Ventils (Pos.7 Abb. A) einpasst. Dieses Rohr (B) hilft bei der Absaugung der im Wasserverteiler befindenen Luft.
- ? **Nur 85 Kg des Silikagels in den Filter schütteln.** (Abb. 5 B). Das Silikagel wird in 25 kg-Säcken geliefert.
- ? Das Silikagel hat eine uneingeschränkte Lebensdauer. Es muss nur bei Verlust nachgefüllt werden. Für zukünftige Nachfüllungen die Einschütthöhe des Silikagels notieren. Der Sack mit dem übriggebliebenen Sand in einem trockenen Platz aufbewahren.
- ? Beseitigen Sie die Sandreste am Filtereintritt und entfernen Sie den Plastikschild.
- ? Setzen Sie erneut das Wechselventil TOP zusammen mit seiner Dichtung auf und bringen Sie die Schellen oder den Verschluss an.
- ? Ziehen Sie die Klammerschraube, die das Ventil am Filter festhält, fest an (Pos. 4 Abb. 6).

#### 2.2.3 Anschluss der Schläuche

##### **Bei den Modellen AR-135, AR-135L, AR-135E**

Ein Ende des Schlauches von 0,58 m (Pos. 8 Fig. 14) an die Schlauchtülle des Mehrwegventils (markiert Position Pump) anschliessen und mit einer Schelle befestigen. Das andere Ende des Schlauchs an den Anschlusszapfen am oberen Bereich des Motors (Pos.15 Abb.15) (bereits montiert) ebenfalls mit einer Schelle anschließen.

Afschrauben, ein Ende des 4,5 m langen Schlauches (Pos.10 Abb.14) an die Schlauchtülle des Mehrwegventils (markiert Position RETURN) Ring mit einer Schelle (Abb.14) anschließen, und das andere Ende dieses Schlauches an die Rücklaufdüse an das Schwimmbad mit einer Schelle (Abb.3) anschließen.

Ein Ende des anderen, 4,5 m langen Schlauches mit einer Schelle (Abb. 3) ein Ende (Pos. 10, Abb.15), Ansaugdeckel kommt, mit einer Schelle anschließen.

##### **Bei den Modellen AR-140, AR-140L, AR-140E.**

Ein Ende des 0,58 m langen Schlauches (Pos.8 Abb.8) an den Eingang des Wahlventils anschließen (bereits in der Position PUMP montiert) und mit einer Schelle befestigen. Das andere Ende des Schlauchs an den Anschlusszapfen am oberen Bereich des Motors (Pos.15 Abb.9 und Abb.15) (bereits montiert) ebenfalls mit einer Schelle anschließen.

Eine flache Dichtung (Pos.11 Abb.8) im Inneren des Anschlusses des Rücklaufs (RETURN) des Wahlventils anbringen und fest einen Ring (Pos.12 Abb.8) aufschrauben, ein Ende des 4,5 m langen Schlauches (Pos.10 Abb.8) an diesen Ring mit einer Schelle (Abb.8) anschließen, und das andere Ende dieses Schlauches an die Rücklaufdüse an das Schwimmbad mit einer Schelle (Abb.3) anschließen.



Ein Ende des anderen, 4,5 m langen Schlauches mit einer Schelle (Abb. 3) den O-Ring (Pos. 16 Abb.9) am Einlass der Pumpe anbringen, den Anschlusszapfen (Pos.15 Abb.9) durch eine Mutter (Pos. 14)

Abb. 9) einführen und diese fest auf den Anschluss schrauben.

Ein Ende des 4,5 m langen Schlauchs (Pos. 10, Abb.9), das vom Skimmer zu diesem Anschluss kommt, mit einer Schelle anschließen.

#### 2.2.4 Montage des manometers.



### 3 ELEKTROANSCHLUSS

Bei der gesamten Installation elektrischer Komponenten muss folgende Norm befolgt werden:

**NF C15-100**

**NF EN 60-335-2-41**

Diese Norm bezieht sich auf *“den Aufbau von elektrischen Installationen in Hallenbädern und Freibädern”*. Ebenso müssen die Normen befolgt werden, die in jeder Region oder jedem Land anwendbar sind.

Die Pumpe muss an einen 220 V 50 Hz Wechselstromanschluss mit Erdung angeschlossen werden. Verbrauch 3.4 A. Es muss unbedingt ein Allpolschalter verwendet werden, damit der Filter bei Nichtbenutzung vom Strom abgeschaltet werden kann. Außerdem ist ein 30 mA Differential gegen Elektroschläge zu verwenden. (Gehört nicht zum Lieferumfang und kann im Elektrohandel erworben werden).

### 4 OBERES WAHLVENTIL

Das obere Wahlventil übernimmt die Auswahl der 6 unterschiedlichen Funktionen des Filters: Waschen des Silikagels (backwash), Zirkulieren (recirculation), Spülen (rinse), Filtern (filter), Entleeren (waste), und Schließen (closed). Um die Stellung des Ventils zu verändern, muss wie folgt vorgegangen werden:

? Der Stecker ist immer aus der Leitung zu ziehen.

? Um die Gegenkraft der Innenfeder zu bezwingen und die vordere Rippe aus ihrem Aufnahmebett springen zu lassen, wird der obere Knopf solange fest gedrückt, bis er sich um sich selbst drehen lässt.

? Der Knopf wird leicht gedreht, bis die vordere Rippe mit dem Aufnahmebett für den gewünschten Vorgang übereinstimmt.

? Der Knopf wird langsam losgelassen, wobei man nachprüft, ob die vordere Rippe gut in ihr Aufnahmebett eingerastet ist liegt.

### 5 ARBEITSWEISE

**DAS CHEMISCHE PRODUKT DARF NIEMALS IN DEN KORB ODER DURCH  
DIE SCHWÄMME ODER DIE KARTUSCHE EINGEGEBEN WERDEN.  
DADURCH WIRD DAS MATERIAL DES APPARATES ZERSTÖRT UND SEINE  
WIRKSAMKEIT BEEINTRÄCHTIGT**

Die Arbeitsweise dieses Filters basiert auf der Filterkapazität des Silikagels, das sich in seinem Inneren befindet. Das Wasser aus dem Swimmingpool wird von der Filterpumpe ausgestossen und durch das Silikagel gedrückt, wobei die Verschmutzung des Wassers im Sand, der wie ein Filterelement arbeitet, zurückgehalten wird. Das Umfeld, Bäume, Blütenstaub, Insekten und Badefrequenz sind unter anderem Faktoren, die die Verunreinigung des Wassers bestimmen. Das Silikagel muss daher mehr oder weniger oft gereinigt werden (siehe hierzu Absatz 5.3).

Um das Wasser im Swimmingpool in gutem Zustand zu halten, müssen außerdem die vom Hersteller empfohlenen chemischen Produkte verwendet werden (Chlor, Algenschutzmittel, Aufflockungsmittel, u.s.w.).

#### 5.1 Filterfüllung

Es ist unbedingt erforderlich, dass der Filter immer korrekt gefüllt ist. Wenn der Filter nicht gefüllt ist, kann sich in seinem Inneren eine Luftkammer bilden, die einen defekten Umlauf des Wassers bewirkt. Das macht ein korrektes Filtern durch das Silikagel unmöglich und schadet dem Motor.

Der Filter kann sich aus folgenden Gründen leeren:

- ? Inbetriebnahme einer neuen Anlage.
- ? Inbetriebnahme einer Anlage, die während eines längeren Zeitraums nicht benutzt wurde.
- ? Nach einer falschen Reinigung des Bodens durch Saugen.
- ? Luftansaugung über den Skimmer aufgrund eines zu niedrigen Wasserspiegels im Swimmingpool.
- ? Durch eine falsche Benutzung der Anlage, den Ansaugdeckel oder Skimmerpfropfen.

#### 5.1.1 Wann ist der Filter leer?

Wir stellen fest, dass der Filter leer ist, wenn:

- ? Wir bemerken, dass das Wasser, das durch ihn fließt, ein fallendes Geräusch verursacht. Das zeigt uns an, dass sich zwischen dem Wassereintritt und dem Silikagel eine Luftblase gebildet hat.
- ? Wir bemerken, dass aus der Rückflussdüse zu viele Luftblasen austreten.
- ? Wir bemerken, dass der Bodenreiniger (gehört nicht zum Lieferumfang) nicht saugt, obwohl das Silikagel nach einer Reinigung sauber ist.
- ? Wir stellen fest, dass sich das Manometer auf der Position 0 bar befindet.

#### 5.1.2 ¿Wie wird der Filter gefüllt?

- ? Man überprüft, ob der Ansaugschlauch mit dem Skimmer verbunden und der Durchfluss geöffnet ist (der Deckel ist entfernt).
- ? Der Strom zum Filter wird unterbrochen.
- ? Mit dem Ventil auf der Funktion Filtern (filter) leicht die Entlüftungsmutter öffnen, die sich am Manometer befindet, damit die Luft aus dem Inneren des Filters entweichen kann. Falls kein Manometer angebracht ist, das Ventil in die Position WASTE bringen.
- ? Wenn nur noch Wasser entweicht (zwischen 1 und 2 Minuten), die Entlüftungsmutter wieder schließen.
- ? Das Filter an den Stromkreis anschließen und überprüfen, ob das Geräusch fallenden Wassers verschwunden ist. Sollte dies nicht der Fall sein, muss der Vorgang wiederholt werden.

### 5.2 Filtrieren

**NIEMALS AN EINEM VENTIL ARBEITEN, WENN DER MOTOR LÄUFT.**

Vor dem Filtrieren ein Waschen mit Silikagel durchführen. (Absatz 5.3)

Das Ventil muss auf der Position Filtern (FILTER) stehen. Die Lebensdauer des Filters wird verlängert, wenn er nicht länger als 4 Stunden hintereinander arbeitet. Ihr täglicher Filterbedarf richtet sich nach den m<sup>3</sup> Wasservolumen in Ihrem Swimmingpool in bezug auf die m<sup>3</sup>/h Durchflussmenge des Filters. Lassen Sie den Motor nach einer Laufzeit von 4 h mindestens 2 h ruhen.

$$\frac{\text{Volumen im Schimmbad in m}^3}{\text{Filterdurchflussmenge m}^3} = \text{notwendige Stunden}$$

Beispiel:

$$\frac{42 \text{ m}^3}{5,5 \text{ m}^3/\text{h}} = 7,63 \text{ Stunden} \quad \begin{array}{l} 2 \text{ Zyklen pro Stunde mit einem} \\ \text{Zwischenzyklus von 2 Stunden Pause} \end{array}$$

Beim ersten Filtriervorgang müssen die angegebenen Ruhepausen eingehalten werden.

#### 5.3 Reinigung des Silikagels

Bei der Reinigung des Filters muss das Silikagel im Inneren des Filters gereinigt werden. Hierfür wird mit dem oberen Wechselventil die Laufrichtung des Wassers umgedreht. Diese Reinigung sollte regelmässig durchgeführt werden. Dabei ist auf einige Faktoren zu achten ist, die anzeigen, ob das Silikagel verschmutzt ist:

- ? Der Rückfluss ist vermindert, obwohl überprüft wurde, ob die Pumpe gefüllt ist.
- ? Das Manometer zeigt einen zu hohen Druck an (die Nadel steht zwischen Gelb und Rot oder auf Rot)).

##### 5.3.1 Für die Reinigung des Silikagels muss wie folgt vorgefahren werden:

- ? Der Strom zum Filter wird unterbrochen. Das Wahlventil darf nie bei laufendem Motor verändert werden.
- ? Um die Gegenkraft der Innenfeder zu bezwingen und die vordere Rippe aus ihrem Aufnahmebett springen zu lassen, wird der obere Knopf solange fest gedrückt, bis er sich um sich selbst drehen lässt.
- ? Der Knopf wird leicht gedreht, bis die vordere Rippe mit dem Aufnahmebett für den Waschvorgang (backwash) übereinstimmt.
- ? Den Schlauch  $\varnothing$  38 mm x 1,5 m mit direct and die Schlauchtülle (waste) des Ventils anschließen und das andere Ende zu einem Wasserabfluss oder zur Kanalisation geführt.
- ? Der Filter wird ungefähr 2 Minuten lang angeschaltet, bis das herausfließende Wasser frei von Verschmutzungen ist. Dies kann durch das Schauglas an der Seite beobachtet werden.
- ? Den Filter abstellen.
- ? Das Ventil wird erneut in die Position Ausspülen (rinse) gebracht und der Filter wird ein paar Sekunden angeschlossen.
- ? Den Filter stoppen, auf die gewünschte Position Filtern (filter) bringen, den Schlauch gegebenenfalls von der Position Entwässern (waste) abnehmen.

#### 5.4 Entleeren des Swimmingpools

Der Filter ermöglicht es, den Swimmingpool nach Beendigung der Badesaison fast vollständig zu entleeren. Hierfür muss das obere Wahlventil auf Position Entleeren (waste) gestellt werden. Bei noch nicht angestelltem Filter wird der Schlauch

ø 38 mm x 1,5 m an die Wasserentleerung (waste) des Ventils angeschlossen und sein anderes Ende zu einem Wasserabfluss oder zur Kanalisation geführt. Je nach Skimmer-Modell ist wie folgt vorzugehen:

#### **5.4.1 Beim Modell AR-135, AR-135L, AR-140, AR-140L**

**(mit Wandskimmer für Swimmingpools Typ Dream Pool und Swimmingpools Typ Jet Pool):**

? Der Korb im Skimmer wird herausgenommen und die Ansaugöffnung mit einem hierfür gelieferten Deckel abgedeckt.  
? Der Ansaugschlauch wird vom Skimmer entfernt, indem man die Schelle, die ihn festhält, lockert und den Schlauch festhält, damit der Skimmer kein Wasser verliert und sich entleert, und ihn direkt im Swimmingpool eintauchen, damit er mit Wasser voll läuft.

? Das Ansaugende des Schlauches wird mit einem Gewicht beschwert, welches den Liner nicht beschädigen darf, um zu erreichen, dass der Schlauch bis auf den Boden des Swimmingpools eintaucht.

? Die Pumpe wird angestellt und jetzt wird mit der Entleerung des Swimmingpools begonnen. Beachten Sie, dass der Swimmingpool mit Hilfe des Filters nicht vollständig entleert werden kann. Wenn nur noch einige Zentimeter Wasser zurückbleiben, muss die Pumpe abgestellt werden, sobald sie kein Wasser mehr aufsaugt.

? Sobald die Pumpe gestartet wurde, um den Swimmingpool zu leeren, sollten Sie diesen Prozess bis zum Ende nicht unterbrechen, damit kein Wasser entweicht.

? Wenn Sie der Swimmingpool erneut mit Wasser füllen, muss vorher manuell das Restwasser ausgelassen werden, ohne den Liner zu beschädigen.

? Wenn Sie den Swimmingpool abbauen, können Sie den Liner falten und das restliche Wasser kann im Zentrum der Plane verbleiben.

? Beim Modell DREAM POOL das Blech abnehmen oder beim Modell JET POOL die Rohre.

? Den Liner entfalten, um ihn ganz zu leeren.

? Dieser Vorgang sollte nur durchgeführt werden, wenn der Swimmingpool abgebaut wird.

#### **5.4.2 Beim Modell AR-135E, AR-140E.**

**(mit selbsttragendem Skimmer für Swimminpools Typ Magic Pool):**

Abgesehen von der Entleerungsöffnung, über die der Swimmingpool verfügt, kann auch die Reinigungsanlage zum Entleeren benutzt werden:

? Der selbsttragende Skimmer wird angehoben, bis er an der Außenwand des Swimmingpools hängt. So wird vermieden, dass Wasser in ihn eindringt.

? Der Ansaugschlauch des Skimmers wird an der Außenseite des Swimmingpools entfernt, indem man die Schelle, die ihn festhält, vorsichtig lockert, um den Liner nicht zu beschädigen. Der Schlauch wird festgehalten, damit er sich nicht entleert und sofort in den Swimmingpool getaucht.

? Das Ansaugende des Skimmers wird mit einem Gewicht beschwert, welches den Liner nicht beschädigen darf, um zu erreichen, dass der Schlauch bis auf den Boden des Swimmingpools eintaucht.

? Die Pumpe wird angestellt und jetzt wird mit der Entleerung des Swimmingpools begonnen. Beachten Sie, dass mit dem Filter der Swimmingpool nicht vollständig entleert werden kann. Die Pumpe muss abgestellt werden, sobald sie kein Wasser mehr aufsaugt.

? Sobald die Bombe gestartet wurde, um den Swimmingpool zu leeren, sollte der Prozess bis zum Ende nicht unterbrochen werden, damit das Wasser nicht entweicht.

? Bevor Sie erneut den Swimmingpool mit Wasser füllen, lassen Sie erst vorsichtig und ohne den Pool zu beschädigen, **das noch vorhandene Wasser aus dem Abfluss abfließen.**

**VERMEIDEN SIE, DASS SICH DER SCHLAUCH AUF DEM BODEN DES SCHWIMMBECKENLINERS ANSAUGT. DAS KÖNNTE ERNSTHAFT DIE PUMPE BESCHÄDIGEN, WEIL SIE OHNE WASSER LÄUFT, ODER ABER DURCH DIE ANSAUGUNG DEN LINER.**

#### **5.5 Reinigung des Swimmingpoolbodens**

Zur Reinigung des Swimmingpoolbodens kann die Filterpumpe mit einem der folgenden Zubehöerteile verwendet werden:

Bodenreiniger "Riñón" / **AR-206**, Bodenreiniger "Oval" / **AR-207** (Man benötigt außerdem den Schlauch ø38 mm / **AR-210** und den Stab / **AR-102**). Fragen Sie in Ihrem Geschäft nach oder beim Kundendienst des Swimmingpoolherstellers. Verwenden Sie immer Originalersatzteile.

Wenn der Schlauch länger als erforderlich zum Erreichen sämtlicher Stellen im Swimmingpool ist, wird seine Handhabung schwierig. Schneiden Sie das überflüssiger Schlauchende ab. Achten Sie darauf, dass die Gummienden nicht undicht werden.

##### **5.5.1 Füllen des Schlauches für die Bodenreinigung:**

Der Bodenreiniger mit dem Stab und dem vertikal angeschlossenen Schlauch wird langsam in den Swimmingpool eingeführt, wobei letzterer sich mit Wasser füllt. Der Rest des Schlauches bleibt außerhalb des Wassers. Jetzt wird der Schlauch in Längen von jeweils 50 cm langsam in das Wasser eingelassen. Diese müssen sich mit Wasser vollsaugen und eintauchen. Bei Beendigung dieses Vorganges muss der ganze mit Wasser gefüllte Schlauch eingetaucht sein. Sollte der Schlauch nicht vollkommen gefüllt sein, kann der Bodenreiniger nicht saugen. Die Reinigungsanlage kann defekt werden, wenn sie leer läuft.

##### **5.5.2 Beim Modell AR-135, AR-135L, AR-140, AR-140L**

**(mit Wandskimmer für Swimmingpools Typ Dream Pool und Swimmingpools Typ Jet Pool):**

In das Innere des Skimmers wird das Zusatzteil Deckel für die Ansaugung mit der Öffnung nach oben eingeführt, ohne den Korb herauszunehmen.

Der Schlauch wird gefüllt.

Von der INNENSEITE DES SWIMMINGPOOLS her wird das Schlauchende durch die Kammer des Skimmers geführt, wobei darauf zu achten ist, dass keine Luft eindringt. Er wird am Ansaugdeckel angeschlossen, wobei er schräg gehalten

wird. Das erleichtert seinen Anschluss. Danach wird er horizontal gehalten und weiter eingeschoben. Vorsicht, die Kammer des Skimmers darf bei diesem Vorgang nicht beschädigt werden. Der Wasserstand des Skimmers sollte so hoch wie möglich sein und über der Verbindung des Schlauches mit dem Deckel stehen, um zu vermeiden, dass Luft eindringt.

Die Pumpe wird in der Stellung Filtern (filter) angestellt. Jetzt kann mit der Reinigung des Beckenbodens begonnen werden.

### **5.5.3 Beim Modell AR-135E, AR-135ES, AR-135EUK, AR-140E, AR-140ES, AR-140EUK, (mit selbsttragendem Skimmer für Swimmingpools Typ Magic Pool):**

Der obere Schwimmring des Skimmers wird entfernt und ohne den Filterkorb herauszunehmen, wird in den oberen Teil des Skimmers das Zubehörteil Deckel für die Ansaugung mit der Öffnung nach oben eingeführt. Der Skimmer wird so weit in den Swimmingpool eingetaucht, dass keine Luft durch den Deckel für die Ansaugung eindringen kann.

Der Schlauch wird gefüllt.

Er wird am Deckel für die Ansaugung angeschlossen, wobei darauf zu achten ist, dass keine Luft eindringt. Die Verbindung des Schlauches und des Deckels muss immer eingetaucht sein, um zu vermeiden, dass Luft eindringen kann.

Man schaltet die Pumpe an und beginnt mit der Reinigung des Beckenbodens.

### **5.6 Spülen**

Nach dem "REINIGEN" des Filters und nachdem die Anlage auf Position "FILTERN" gestellt wurde, läuft das Wasser einige Sekunden lang trüb zum Schwimmbad. Um zu vermeiden, dass dieses trübe Wasser in das Schwimmbad gelangt, gibt es diese Position "SPÜLEN" am Mehrwegventil. Wie folgt vorgehen: Sofort nach dem "REINIGEN" das Mehrwegventil auf Position "SPÜLEN" stellen und die Pumpe 1 Minute lang einschalten. Dann die Pumpe abschalten und das Ventil auf „FILTERN“ stellen.

### **5.7 Geschlossen**

Das Wechselventil steht auf der Stellung geschlossen (CLOSED). Diese wird verwendet, um zu vermeiden, dass das Wasser durch die Schläuche und den Filter zirkuliert.

### **5.8 Zirkulieren**

In dieser Position des Wahlventils wird das Wasser von der Pumpe direkt ins Schwimmbad geleitet, ohne durch das Innere des Filters geleitet zu werden.

## **6 KABELAUSTAUSCH**

Wenn das Kabel beschädigt ist, muss wie folgt vorgegangen werden:

- ? Der Strom zum Apparat wird unterbrochen.
- ? Die Schrauben, die den Deckel des Gehäuses für die Anschlüsse festhalten, werden gelockert und der Deckel abgenommen (Abb. 11 / 17).
- ? Die Endklemmen im Gehäuse für den Pumpenanschluss werden abgeschaltet, wobei man sich ihre Lage merken soll.
- ? Das Kabel wird herausgenommen, ausgetauscht und die Montage in umgekehrter Folge wie oben beschrieben vorgenommen.

## **7 WARTUNG**

Nach Beendigung der Badesaison muss der Filter an einem trockenen, wettergeschützten Platz aufbewahrt werden. Aus diesem Grund werden nach Durchführung eines automatischen Reinigungsvorganges des Silikagels die Schläuche abmontiert und das gesamte Wasser über den Entleerungsdeckel des Depots aus dem Filter abgelassen.

Nachdem das gesamte Wasser aus dem Filter entfernt worden ist, wird sorgfältig die Schraube von Silikagelresten gesäubert, bevor der Deckel erneut aufgesetzt wird, denn das Silikagel könnte die Schraube beschädigen.

Der Entleerungsdeckel des Filterdepots darf nur für diesen Vorgang verwendet werden.

**SEHR WICHTIG:** Bevor der Filter nach einer längeren Ruhepause angestellt wird, muss man sich vergewissern, dass sich die Motorachse nicht verklemmt hat. Dies geschieht, indem man mit einem flachen Schraubenzieher an das Ende, das durch den Deckel für die Ventilation hinter der Motorwicklung erscheint, bewegt, bis die Achse frei ist und sich nach rechts und links drehen lässt. Es empfiehlt sich, vor einem erneuten Betrieb nach einer längeren Ruhepause zu überprüfen, dass der Filter gefüllt ist.

### **7.1 Wartung der Pumpe**

Die Filterpumpe ist so ausgelegt, dass keine besondere Wartung erforderlich ist. Trotzdem kann sich beim Einsatz des Apparates bei Swimmingpool mit einem hohen Verschmutzungsgrad, besonders bei Blättern, die Pumpenachse blockieren. In diesem Fall ist wie folgt vorzugehen:

- ? Die Stromzufuhr zum Apparat wird unterbrochen.
- ? Stellen Sie das Ventil auf die Stellung Geschlossen (closed).
- ? Setzen Sie den Verschlussdeckel des Skimmers auf.
- ? Die Schläuche zum Ansaugen und Einfließen werden von der Pumpe abgenommen.
- ? Die Schrauben, die den Deckel des Pumpengehäuses festhalten, werden gelockert.
- ? Reinigen Sie das Laufrad. Sollte es zerbrochen sein, erkundigen Sie sich beim Hersteller des Swimmingpools nach einem Ersatz.
- ? Der Pumpendeckel wird wieder aufgesetzt, wobei auf eine gute Zentrierung zu achten ist, und fest verschlossen.
- ? Die Schläuche zum Ansaugen und Einfließen werden wieder mit der Pumpe verbunden.
- ? Entfernen Sie den Verschlusspfropfen des Skimmers.

### **7.2 Beheben von Schäden und Technischer Service.**

Dieser Filter und seine Anweisungen sind speziell für den Hausgebrauch ausgelegt, weshalb die Einschaltung von Technikern nur in ganz speziellen Fällen erforderlich ist. Hier stellen wir die Probleme und Ursachen vor, die im Laufe der

Nutzungsjahre des Filters auftreten und die Sie beheben können. Falls Sie Ihr Problem nicht lösen können, nehmen Sie Kontakt mit dem Hersteller Ihres Swimmingpools unter der in seinen Anweisungen angegebenen Telefonnummer und zu den angegebenen Zeiten auf.

PROBLEME	URSACHE	LÖSUNG
Der Filter tropft an seinen Muffenenden	Schlechter Anschluss der Schlauchenden	Die Muffensitze mit Gewinde mit Teflon umwickeln, die Schlauchenden bis zum Anschlag einführen und die Klammern festziehen
Nach Inbetriebnahme des Filters tritt kein Wasser aus der Rücklauföffnung	Das Ventil befindet sich nicht in der Stellung Filtern (filter)	Den Filter abstellen und das Ventil in die richtige Stellung bringen
	Der Filter befindet sich höher als der Wasserstand und ist daher leer	Den Filter in die richtige Lage bringen und füllen
	Die Pumpe ist festgelaufen und erfordert ein Abmontieren	Siehe den Absatz 7.1
Unregelmäßiges Arbeiten	Der Ansaugdeckel oder der Pfropfen des Skimmers sind angebracht	Den Ansaugdeckel oder den Pfropfen des Skimmers entfernen
	Der Wasserstand im Skimmer ist gering Der Filter ist leer	Der Swimmingpool und den Filter füllen Den Filter füllen
Der Filter hat einen geringen Durchfluss	Durch Benutzung ist der Filter schmutzig Der Filter ist leer	Eine automatische Reinigung vornehmen Den Filter füllen
Aus der Filteröffnung tritt Wasser aus	Die Verbindungszone zwischen dem Ventil und dem Filter ist verschmutzt Die Klammer hat sich gelockert	Die Öffnung vom Silikagel befreien, die Dichtung korrekt auf das Ventil setzen und die Klammer fest anziehen
Das Filterventil tropft am Ende für die Entwässerung (WASTE)	Die Innendichtung ist defekt durch unrichtige Verwendung des chemischen Produkts.	Den oberen Deckel des Ventils austauschen Kein chemisches Produkt in den Vorfilterkorb des Skimmer schütten
	Das Ventil des Kopfstücks ist defekt wegen falscher Benutzung (zu stark angezogen)	Das Ventil des Kopfstückes austauschen. Nicht zu stark anziehen
Der Motor springt nicht an. Es entsteht kein Vibriergeräusch	Keine Stromzufuhr Die Kabelschuhe im Motor sind locker	Überprüfen, ob Strom in der Leitung ist Den Motor öffnen (Absatz 6) und die Kabelschuhe des Motors überprüfen
Der Motor springt nicht an und man hört ein Brummen	Die Achse klemmt nach einem längeren Stillstand	Siehe Absatz 7
	Der Kondensator ist durchgebrannt	Er kann im Elektrohandel erstanden werden (Ersatz bei Garantie des Apparates).
	Der Motor ist durchgebrannt	Wenden Sie sich an den Kundendienst des Swimmingpoolherstellers.
Wasserverlust	Analysieren Sie den Grund des Wasserverlustes	Überprüfen Sie die Schellen der Schläuche Wenn das Wasser zwischen der Pumpe und dem Motor verloren geht, wenden Sie sich an den Kundendienst des Swimmingpoolherstellers

## INDICAZIONI DI SICUREZZA, LEGGERE ATTENTAMENTE

? Per quanto riguarda l'installazione elettrica, si renderà necessario adempiere alla seguente normativa:

**NF C15-100**

**NF EN 60-335-2-41**

che si riferisce "alla costruzione di installazioni elettriche, sia per piscine coperte sia per piscine all'aria aperta", o la normativa analoga in vigore in ciascuna zona o paese.

? "Tutti i filtri adempiono alla norma di installazione C 15-100 che specifica che ogni apparecchio elettrico ubicato a meno di 3,5 m dalla piscina e liberamente accessibile deve essere alimentato con una tensione molto bassa da 12 V. Ogni apparecchio alimentato a 220 V deve essere ubicato a un minimo di 3,5 m dal bordo della piscina. Si renderà necessario richiedere l'autorizzazione del fabbricante per qualsiasi modifica di uno o più elementi del sistema di filtraggio"

? L'installazione elettrica deve essere realizzata da personale professionale qualificato per installazioni elettriche.

? L'altezza della sabbia non deve oltrepassare i 2/3 dell'altezza del serbatoio.

? No mantenere l'apparecchio in marcia mentre si utilizza la piscina.

? Non far funzionare l'apparecchio se questo non è stato allacciato in forma corretta.

? Non toccare MAI il filtro in marcia con il corpo umido o con le mani umide.

? Ogni volta che si debba manipolare il filtro o la valvola, si renderà necessario DISINSERIRLO dalla presa di corrente.

? Si assicuri che il suolo sia asciutto prima di toccare l'apparecchio elettrico.

? Non collochi il filtro dove possa bagnarsi, giacché potrebbe causare scosse elettriche.

? Non consenta né a bambini né a adulti di appoggiarsi o sedersi sull'apparecchio.

? Se il cavo flessibile dell'alimentazione di questo apparecchio è danneggiato, si dovrà procedere alla sua sostituzione. Legga attentamente le istruzioni per la sostituzione. In caso di dubbi, si rivolga al servizio tecnico.

## 1 COMPONENTI IMBALLAGGIO

Il filtro che ha appena acquistato è un apparecchio appositamente concepito e progettato per piscine elevate. Con un design innovativo e una grande funzionalità, lei dispone di differenti elementi necessari per filtrare l'acqua: filtro, pompa e valvola selezionatrice in un solo apparecchio. I principali componenti di questo filtro sono:

Modelo	Fig.	Pos	Denominación
AR135 / 140 AR135L / 140L AR135E / 140E AR1350 / 1400	1	1	Filtro
	1	2	Pompa
	1	3	Valvola selezionatrice 1-1/2"
	1	4	Tappo di svuotamento
	1	5	Cavo elettrico di alimentazione
	4	6	Ghiera
	1-8-9-14-15	8	Manicotto ø38 mm x 0,58 m
AR135 / 140 AR135L / 140L AR135E / 140E	5A / 5B	7	Sabbia di silex
			Manicotto ø38 mm x 1,5 m (lavaggio della sabbia)
	3-8-9-14-15	10	2 manicotto ø38 mm x 4,5 m
	8-9-14-15	13	Fascette
	9-15	14	Dado 2-1/4"
	9-15	15	Connessione a spiga ø 38 mm
AR140 / AR140L AR140E / AR1400	9-15	16	Guarnizione torica
	8	11	Guarnizione piatta tubo flessibile 1-1/2"
	8	12	Tubo flessibile 1-1/2"
AR135 / 140	3	17	Skimmer da parete, piscine Dream Pool
AR135E / 140E	3	18	Skimmer autoportante, piscine Magic Pool
AR135L / 140L	3	19	Skimmer da parete, piscine Jet Pool
AR1350 / 1400	Sabbia e componenti di connessione alla piscina non forniti		

## 1.1 NECESSITÀ PER UNA CORRETTA INSTALLAZIONE

Per la sua facilità di installazione, questo apparecchio può essere montato da una sola persona adulta e in un periodo di tempo di circa **2 ORE**, con la precauzione in ogni momento di seguire attentamente le istruzioni riportate in questo manuale.

Per una corretta manipolazione dei componenti del filtro e la loro corretta installazione, saranno necessari i seguenti utensili:

Funzione	Utensile	Utensile alternativo
Stringere le flangie dei manicotti	Cacciavite stecker 7mm	Cacciavite bocca philips
Tagliare il liner	Cutter	Coltello
Protezione del tubo del collettore	Pezzo di plastica	Pezzo di tela

## 2 PRIMA DI COLLEGARE IL FILTRO

### 2.1 Collocazione

Collochi il filtro su una superficie piatta e solida ad una distanza non inferiore a 3,5 metri dalla piscina (ai sensi della norma **NF C15-100** o analoga in vigore in ogni zona o paese.) ed allo stesso livello del fondo della stessa per evitare che nel circuito di depurazione entri aria e di conseguenza il filtro si disinnesci (fig. 2). È conveniente proteggere il filtro dal sole e dalla pioggia, che abbia una ventilazione sufficiente durante il suo funzionamento e che non venga tappato durante il funzionamento.

### 2.2 Montaggio

Una volta collocato il filtro proceda nel seguente modo:

#### 2.2.1 Carico della sabbia AR-135 , AR-135E , AR-135E

- ? Tappare la bocchetta del tubo del collettore interno con una plastica protettrice che eviti l'entrata di sabbia (Fig.5 A).
- ? Insiediare correttamente il collettore interno nel fondo del filtro (Fig. 6).
- ? **Introdurre all'interno del filtro solamente 40 kg di sabbia fornita (Fig. 5 A), la sabbia viene fornita in sacchi da 25 kg.**
- ? La sabbia silicea utilizzata ha una durata illimitata. Si dovrà intervenire per rimetterla solo in caso di perdita. Per questo è necessario prendere un riferimento che possa aiutare a ricordare il livello di sabbia corretto. Conservi in un luogo asciutto la rimanenza di sabbia dentro il sacchetto originale .
- ? Eliminare i resti di sabbia dalla bocchetta del filtro e togliere la plastica protettrice.
- ? Collochi la valvola selezionatrice TOP con il suo giunto e collochi la ghiera o chiusura secondo quanto indicato nei disegni dell'allegato alla ghiera.
- ? Stringa fortemente la vite ( Pos. 6 Fig. 4 ) della ghiera che unisce la valvola al filtro .

#### 2.2.2 Carico della sabbia AR-140 , AR-140E , AR-140E

- ? Tappare la bocchetta del tubo del collettore interno con una plastica protettrice che eviti l'entrata di sabbia (Fig.5 B).
- ? Insiediare correttamente il collettore interno nel fondo del filtro (Fig. 6).
- ? Collocare el collettore in modo che il tubo purga del collettore (Pos. B Fig. 7) collima con la cavità della parte inferiore della valvola (Pos. A Fig. 7 ). Questo tubo (B) s'usa per strarre l'aira nel collettore
- ? **Introdurre all'interno del filtro solamente 85 kg di sabbia fornita (Fig. 5 A), la sabbia viene fornita in sacchi da 25 kg.**
- ? La sabbia silicea utilizzata ha una durata illimitata. Si dovrà intervenire per rimetterla solo in caso di perdita. Per questo è necessario prendere un riferimento che possa aiutare a ricordare il livello di sabbia corretto. Conservi in un luogo asciutto la rimanenza di sabbia dentro il sacchetto originale .
- ? Eliminare i resti di sabbia dalla bocchetta del filtro e togliere la plastica protettrice.
- ? Reinsersca la valvola selezionatrice TOP con il suo giunto e collochi la fascetta o chiusura.
- ? Stringa fortemente la vite ( Pos. 6 Fig. 4 ) della fascetta che unisce la valvola al filtro .

#### 2.2.3 Connessione dei manicotti

##### Nei modelli AR-135, AR-135L, AR-135E

Connettere una estremità della tubatura da 0,58 m. (Pos. 8 Fig. 14) all'uscita della valvola seletttrice (marcata con PUMP) stringendo con una fascetta, e connettere l'altra estremità alla connessione a spiga della parte superiore del motore (Pos. 15 Fig. 9 e Fig. 15) (che viene già montata) per mezzo di una fascetta.

Connettere una estremità di una delle tubature da 4,5 m (Pos. 10 Fig. 14) all'uscita della valvola seletttrice (marcata con RETURN) per mezzo di una fascetta (Fig. 814, connettere l'altra estremità di questa tubatura alla bocchetta di ritorno nella piscina per mezzo di una fascetta (Fig. 3).

Connettere una estremità dell'altra tubatura da 4,5 m allo skimmer per mezzo di una fascetta (Fig. 3).

Connettere l'altra estremità (Pos. 10 Fig. 15) al coperchio di aspirazione per mezzo di una fascetta.

##### Nei modelli AR-140 , AR-140L , AR-140E

Connettere una estremità della tubatura da 0,58 m. (Pos. 8 Fig. 8) al manicotto di entrata della valvola di selezione (che viene già montato nella posizione PUMP) stringendo con una fascetta, e connettere l'altra estremità alla connessione a spiga della parte superiore del motore (Pos. 15 Fig. 9 e Fig. 15) (che viene già montata) per mezzo di una fascetta.

Inserire una guarnizione piatta (Pos. 11 Fig. 8) all'interno della connessione di ritorno (RETURN) della valvola di selezione e avvitare con forza un manicotto (Pos. 12 Fig. 8), connettere una estremità di una delle tubature da 4,5 m

(Pos. 10 Fig. 8) a questo manicotto per mezzo di una fascetta (Fig. 8), connettere l'altra estremità di questa tubatura alla bocchetta di ritorno nella piscina per mezzo di una fascetta (Fig. 3).  
 Connettere una estremità dell'altra tubatura da 4,5 m allo skimmer per mezzo di una fascetta (Fig. 3) inserire la giunta torica (Pos. 16 Fig. 9) all'entrata della pompa, inserire la connessione a spiga (Pos. 15 Fig. 9) attraverso il dado (Pos. 14 Fig. 9), e avvitare con forza lo stesso alla connessione.  
 Connettere l'estremità della tubatura da 4,5 m (Pos. 10 Fig. 9), che viene dallo skimmer a questa Connessione, per mezzo di una fascetta.

### 2.2.4 Montaggio del manometro.



## 3 COLLEGAMENTO ELETTRICO

Per quanto riguarda l'installazione elettrica, si renderà necessario adempiere alla seguente normativa:

**NF C15-100**

**NF EN 60-335-2-41**

che si riferisce "alla costruzione di installazioni elettriche, sia per piscine coperte sia per piscine all'aria aperta", o la normativa analoga in vigore in ciascuna zona o paese.

La pompa si deve collegare ad una presa di tensione di 220 V a corrente alternata e 50 Hz, con messa a terra. Consumo 3,4 A.

È obbligatorio utilizzare un interruttore onnipolare per lasciare senza tensione il filtro quando non lo si utilizza ed un differenziale da 30 mA. per protezione dalle scariche. (Non fornito. Si può acquistare in un negozio di articoli elettrici)

## 4 VALVOLA SELEZIONATRICE SUPERIORE

La valvola selezionatrice superiore ha il compito di selezionare le 6 differenti funzioni del filtro: lavaggio (backwash), ricircolo (recirculation), risciacquo (rinse), filtraggio (filter), scarico (waste) e chiusura (closed). Per cambiare la posizione della valvola, bisogna procedere nel seguente modo:

- ? Disinserire sempre la spina.
- ? Premere con forza il comando superiore della valvola, fino a vincere la resistenza della molla interna, disincastando la molla anteriore dalla sua sede, fino a quando possa girare su sé stessa.
- ? Ruotare lievemente il comando fino ad allineare la molla anteriore con la sede della funzione desiderata.
- ? Lasciare il comando dolcemente, verificando che la molla anteriore sia ben incastrata nella sua sede.

## 5 FUNZIONAMENTO

**IL PRODOTTO CHIMICO NON SI DEVE MAI METTERE NEL CESTO O ATTRAVERSO IL FILTRO, GIACCHÉ CIÒ DETERIOREREBBE I MATERIALI DELL'APPARECCHIO E NE LIMITEREBBE LA SUA EFFICACIA**

Il funzionamento di questo filtro si basa sulla capacità di filtraggio della sabbia di silex che si trova al suo interno. L'acqua della piscina è spinta dalla pompa del filtro e costretta a passare attraverso la sabbia di silex, facendo sì che le impurità dell'acqua vengano detenute dalla sabbia che agisce da elemento filtrante. L'ambiente circostante, alberi, polline, insetti e frequenza dei bagni sono, tra altri, i fattori che determinano la sporcizia dell'acqua della piscina, in conseguenza di questi fattori si dovrà pulire la sabbia di silex con maggior o minor frequenza, (vedere paragrafo 5.3).

Inoltre, per mantenere in buono stato l'acqua della piscina, si devono utilizzare i prodotti chimici consigliati dal fabbricante (cloro, antivegetativo, flocculante, etc.).



## 5.1 Innestatura del filtro

È indispensabile che il filtro sia in ogni momento correttamente innestato. Che il filtro non sia innestato significa che al suo interno si è creata una camera d'aria che provoca una difettosa circolazione dell'acqua, fattore che impedisce il corretto filtraggio della stessa da parte della sabbia di silex e danneggia il motore.

Il filtro si può disinnestare per vari motivi:

- ? Messa in moto di un nuovo apparecchio.
- ? Messa in moto di un apparecchio dopo un lungo periodo d'inattività.
- ? Dopo aver usato un puliscifondo ad aspirazione in maniera non corretta.
- ? Assorbimento d'aria dello skimmer dovuto ad un basso livello dell'acqua della piscina.
- ? Per una sbagliata utilizzazione dell'apparecchio, coperchio d'aspirazione o tappo dello skimmer.

### 5.1.1 Quando è disinnestato il filtro?

Ci accorgeremo che il filtro è disinnestato quando:

- ? Verifichiamo che il suono dell'acqua quando si introduce nel filtro è a caduta libera, fatto che ci indica che tra l'ingresso dell'acqua e la sabbia di silex si è creata una camera d'aria.
- ? Verifichiamo che dalla bocchetta di ritorno escono bolle d'aria in eccesso.
- ? Verifichiamo che il puliscifondo (non fornito) non aspira, mantenendo pulita la sabbia di silex dopo un lavaggio.
- ? Verifichiamo che il manometro si trova in posizione 0 bar.

### 5.1.2 Come innescare il filtro?

- ? Controllare che il manicotto di aspirazione sia collegato allo skimmer ed il passaggio aperto (Il tappo non è collocato).
- ? Disinserire il filtro dalla presa elettrica.
- ? Con la valvola in posizione di filtraggio (filter), allentare leggermente il dado da purga che si trova vicino al manometro, affinché possa far uscire l'aria accumulatasi all'interno del filtro. Se il manometro non è stato collocato, collocare la valvola in posizione di WASTE
- ? Quando si osserva che esce solo acqua (tra 1 e 2 minuti) chiudere di nuovo il dado da purga.
- ? Collegare il filtro alla presa di corrente e controllare che non si senta più il rumore della caduta dell'acqua. In caso contrario, ripetere l'operazione.

## 5.2 Filtraggio

### NON MANIPOLARE MAI LA VALVOLA CON IL MOTORE IN MOTO

Prima di procedere al filtraggio iniziale, occorre realizzare un lavaggio della sabbia. (Paragrafo 5.3)

La valvola deve essere in posizione di filtraggio (FILTER). La vita del filtro si allunga se il suo continuo funzionamento non supera periodi di lavoro di 4 h. Le sue quotidiane necessità di filtraggio sono determinate dal volume in m<sup>3</sup> dell'acqua della sua piscina in relazione ai m<sup>3</sup>/h di portata del filtro per una temperatura dell'acqua di circa 21° C e collocato a 3,5 m dalla sua piscina. Faccia trascorrere almeno 2 h. tra i vari periodi di funzionamento di 4 h.

$$\frac{\text{Volume piscina in m}^3}{\text{Portata filtro in m}^3/\text{h}} = \text{ore necessarie}$$

Esempio:

$$\frac{42 \text{ m}^3}{5,5 \text{ m}^3/\text{h}} = 7,63 \text{ ore} \quad \text{2 cicli di 4 ore con un ciclo intermedio di 2 ore di riposo}$$

Nel trattamento iniziale di filtraggio deve rispettare i periodi di riposo indicati. Si raccomanda di aumentare il tempo di filtraggio quanto maggiore sia la temperatura dell'acqua della sua piscina.

## 5.3 Lavaggio della sabbia

Con il processo di lavaggio procederemo a pulire la sabbia di silex posta all'interno del filtro. Questo processo si deve effettuare regolarmente, e quindi bisogna stare attenti a vari fattori che determinano la sporcizia della sabbia:

- ? Che si rilevi una diminuzione della portata di ritorno, dopo aver controllato che la pompa sia innestata correttamente.
- ? Che il manometro ci indichi una pressione eccessiva (ago che indica tra il giallo ed il rosso, o sul rosso).

### 5.3.1 Per il lavaggio della sabbia, dovremo procedere nel seguente modo:

- ? Disinserire il filtro dalla presa di corrente. Non muovere mai la valvola selezionatrice con il motore in moto.
- ? Premere con forza il comando superiore della valvola, fino a vincere la resistenza della molla interna, disincastando la molla anteriore dalla sua sede, fino a quando possa girare su sé stessa.
- ? Ruotare lievemente il comando fino ad allineare la molla anteriore con la sede della funzione di lavaggio (backwash).
- ? Collegare il manicotto da ø 38 mm x 1,5 m mediante il tubo flessibile da 1 ½ " all'uscita dello scarico (waste) della valvola e, dirigere l'altra estremità del manicotto ad uno scarico o tombino dello modello AR140-AR140E-AR140L.
- Collegare il manicotto da ø 38 mm x 1,5 m direttamente all'uscita della valvola di scarico (waste), dirigere l'altra estremità del manicotto ad uno scarico o tombino nell' modello AR135-AR135E-AR135L.
- ? Mettere in moto il filtro per circa 2 min., fino a quando non escano più impurità mischiate all'acqua, si può osservare attraverso lo spioncino trasparente situato sul lato.
- ? Fermare il filtro.

- ? Collocare nuovamente la valvola nella posizione di sciacquo (rinse) e connettere il filtro per alcuni secondi.
- ? Arrestare il filtro, passare sulla posizione desiderata di filtraggio (filter) e togliere il manicotto dalla posizione di scarico (waste), se si preferisce.

## 5.4 Svuotamento della piscina

Una volta terminata la stagione dei bagni, il filtro le permette di svuotare quasi completamente la piscina. Per compiere quest'operazione, si dovrà collocare la valvola selezionatrice superiore nella posizione di scarico (waste), senza ancora collegare il filtro, collegare manicotto da  $\varnothing$  38 mm x 1,5 m all'uscita dello scarico (waste) della valvola e dirigere l'altra estremità del manicotto ad uno scarico o tombino e, in funzione del modello dello skimmer, procedere come segue:

### 5.4.1 Nel modello AR-135, AR-135L, AR-140 / AR-140L

#### (con skimmer da parete per Piscine Dream Pool e Piscine Jet Pool):

- ? Togliere il cesto interno dello skimmer e chiudere l'aspirazione con il coperchio fornito a tale scopo.
- ? Disinserire il manicotto d'aspirazione dalla presa dello skimmer, allentando la ghiera che lo stringe e tenendo il manicotto in modo che non perda acqua e immergerlo immediatamente nella piscina affinché non si disinnesti.
- ? Zavorrare l'estremità del manicotto d'aspirazione con un oggetto pesante che non danneggi il liner, per aiutare la sua immersione verso il fondo della piscina.
- ? Mettere in moto la pompa e procedere allo svuotamento della piscina. Ricordi che con il solo aiuto del filtro la piscina non si svuoterà completamente, quando rimarranno alcuni cm. d'acqua e la pompa non aspirerà più, dovrà spegnerla.
- ? Una volta messa in marcia la pompa per svuotare la piscina, non interrompa il processo fino alla fine affinché non si disinnesci.
- ? Se riempie nuovamente la piscina d'acqua, tolga prima manualmente l'acqua rimanente senza danneggiare il liner.
- ? Se smonta la piscina può piegare il liner con l'acqua rimanente al centro.
- ? Togliere la lamiera nel modello DREAM POOL o i tubi nel modello JET POOL
- ? Spiegare la vasca per svuotarla completamente.
- ? Non si deve effettuare quest'operazione se non quando si smonta la piscina.

### 5.4.2 Nel modello AR-135E, AR-140E

#### (con skimmer autoportante per Piscine Magic Pool):

Oltre allo scarico incorporato dalla piscina, per svuotarla si può utilizzare il depuratore:

- ? Alzare lo skimmer autoportante fino a che non rimanga ciondolante sul lato esterno della piscina, in modo da evitare che vi entri l'acqua.
- ? *Disinserire il manicotto d'aspirazione dalla presa dello skimmer dalla parte esterna della parete della piscina, allentare la ghiera che lo stringe con precauzione per non danneggiare il liner e tenere il manicotto in modo che non fuoriesca acqua e immergerlo immediatamente nella piscina.*
- ? Zavorrare l'estremità del manicotto d'aspirazione della presa dello skimmer con un oggetto pesante che non danneggi il liner, per aiutare l'immersione verso il fondo della piscina.
- ? Mettere in moto la pompa e procedere allo svuotamento della piscina. Ricordi che con il solo aiuto del filtro non si svuoterà completamente, quando la pompa non aspira più si dovrà spegnere.
- ? Una volta messa in marcia la pompa per svuotare la piscina, non interrompa il processo fino alla fine affinché non si disinnesci.
- ? Se riempirà nuovamente la piscina d'acqua, tolga prima, per mezzo dello scarico, l'acqua restante senza danneggiare la piscina.

**EVITARE CHE IL TUBO FLESSIBILE RISUCCHI IL FONDO DEL LINER DE LA PISCINA, GIACCHÉ POTREBBE DANNEGGIARE SERIAMENTE LA POMPA SE FUNZIONASSE SENZA CIRCOLAZIONE D'ACQUA O IL LINER PER RISUCCHIO**

## 5.5 Pulizia del fondo della piscina.

Per effettuare la pulizia del fondo della piscina, può approfittare della pompa del filtro con uno dei seguenti accessori: Puliscifondo "Riñón" / **AR-206**, Puliscifondo "Oval" / **AR-207** (avrà anche bisogno del manicotto di  $\varnothing$ 38 mm / **AR-210** e della pertica / **AR-102**). Consulti il suo fornitore o il Servizio post-vendita del fabbricante per il loro acquisto. Utilizzi sempre ricambi originali.

Una lunghezza del manicotto maggiore a quella necessaria per arrivare in tutti i punti della piscina rende difficile il suo uso. Tagli il pezzo di manicotto eccedente. Controlli che nei terminali di gomma non si perda la tenuta stagna.

### 5.5.1 Innesco del manicotto del puliscifondo:

Introdurre lentamente all'interno della piscina il puliscifondo con la pertica ed il manicotto collegato, verticalmente, lasciando che si riempia d'acqua, tenendo il resto del manicotto fuori dall'acqua. Cominci ad introdurre il tubo nell'acqua lentamente di 50 cm in 50 cm. che devono affondare una volta che si riempiono completamente d'acqua, fino alla fine, cioè fino a quando il tubo sarà pieno d'acqua e sul fondo. Se il tubo non é totalmente innescato, il puliscifondo non aspirerà e potremmo danneggiare il depuratore facendolo lavorare a vuoto.

### 5.5.2 Nel modello AR-135, AR-135L, AR-140, AR-140L

(con skimmer da parete per Piscine Dream Pool e Piscine Jet Pool):

Collocare all'interno dello skimmer l'accessorio coperchio aspirazione con la presa rivolta verso l'alto, senza togliere il cesto. Innescare il manicotto.

Passare dall'INTERNO DELLA PISCINA l'estremità del manicotto per la saracinesca dello skimmer facendo attenzione che non vi entri aria, collegarlo alla presa del coperchio d'aspirazione, stringendolo obliquamente per facilitare l'unione. Quindi collocarlo orizzontalmente introducendo maggiormente il manicotto. Attenzione, non danneggiare la saracinesca dello skimmer durante quest'operazione. Il livello d'acqua dello skimmer deve essere al massimo e superare l'unione tra il coperchio ed il manicotto, per evitare la penetrazione d'aria.

Mettere in moto la pompa in posizione di filtraggio (filter) e procedere alla pulizia del fondo della piscina.

### 5.5.3 Nel modello AR-135E, AR-135ES, AR-135UK, AR-140E, AR-140ES, AR-140UK

(con skimmer autoportante per Piscine Magic Pool):

Togliere l'anello galleggiante superiore dello skimmer e senza togliere il cesto di prefiltraggio, collocare sulla parte superiore dello skimmer l'accessorio coperchio d'aspirazione con la presa rivolta verso l'alto ed immergere lo skimmer all'interno della piscina, il necessario perché il coperchio d'aspirazione non sia esposto all'aria. Innescare il manicotto.

Facendo attenzione che non vi penetri aria, collegarlo alla presa del coperchio d'aspirazione. L'unione del manicotto e del coperchio deve essere sempre sommersa per evitare la penetrazione d'acqua.

Mettere in moto la pompa e procedere alla pulizia del fondo della piscina.

## 5.6 Risciacquo

Dopo aver realizzato il "LAVAGGIO" del filtro e messa la valvola selettiva in posizione di "FILTRAGGIO", l'acqua, per alcuni secondi, affluisce in piscina con un colore torbido. Per evitare che l'acqua torbida circoli in piscina esiste questa posizione della valvola selettiva "RISCIACQUO". Operate come segue: subito dopo il lavaggio situare la valvola in posizione di "RISCIACQUO" ed attaccare la pompa per un minuto, trascorso tale tempo spegnere la pompa e situare la valvola in posizione di "FILTRAGGIO"

## 5.7 Chiusura

La posizione della valvola selezionatrice, chiusura (CLOSED) si utilizza per evitare la circolazione dell'acqua attraverso il manicotto ed il filtro.

## 5.8 Ricircolo

In questa posizione la valvola selettiva effettuerà il passaggio dell'acqua procedendo dalla pompa direttamente alla piscina senza passare dal filtro.

## 6 SOSTITUZIONE DEL CAVO

In caso di deterioramento del cavo, procedere come segue:

- ? Disinserire l'apparecchio dalla presa di corrente.
- ? Svitare le viti che fissano il coperchio della scatola di derivazione e sollevarlo (Fig. 11 / 17 ).
- ? Disinserire i terminali della scatola di derivazione dalla pompa, facendo attenzione alla loro posizione.
- ? Estrarre il cavo per sostituirlo, e procedere nel modo inverso a quello descritto per lo smontaggio.

## 7 . MANUTENZIONE

Una volta terminata la stagione dei bagni, si dovrà custodire il filtro in un luogo asciutto e protetto dalle intemperie. Per questo motivo, dopo aver fatto un autolavaggio finale per lasciare pulita la sabbia di silex, si smonteranno i manicotti e si svuoterà completamente dall'acqua il filtro per mezzo del tappo di svuotamento del deposito. Espulsa tutta l'acqua del filtro, pulire con cura la filettatura dai residui della sabbia di silex prima di rimettere il coperchio, potrebbero danneggiare la filettatura.

Il tappo di svuotamento del deposito filtro deve essere usato solamente durante quest'operazione.

**MOLTO IMPORTANTE:** Prima di avviare il filtro dopo un lungo periodo di inattività, controlli che l'asse del motore non sia inceppato, muovendolo con un cacciavite piatto dall'estremità che appare attraverso la copertura di ventilazione, dietro l'avvolgimento del motore, fino a che l'asse si liberi e giri a destra e a sinistra.

Dopo un lungo periodo di inattività, è conveniente assicurarsi che il filtro sia innescato.

### 7.1 Manutenzione della pompa

La pompa del filtro é preparata per funzionare senza nessun tipo di manutenzione specifica. Comunque l'uso dell'apparecchio in piscine con un alto indice di sporcizia, specialmente le foglie, può provocare l'intasamento dell'asse della pompa. In questa circostanza, procedere nel seguente modo:

- ? Disinserire l'apparecchio dalla presa di corrente.
- ? Collocare la valvola sulla posizione di chiusura (closed).
- ? Collocare il tappo di chiusura dello skimmer.
- ? Disinserire il manicotto di aspirazione e quello di mandata dalla pompa.
- ? Svitare le viti che fissano la copertura del corpo della pompa.

- ? Pulire la ruota. Se nota che é rotta, consulti il fabbricante della piscina per la sua sostituzione.
- ? Rimettere il coperchio della pompa, assicurandosi che la guarnizione sia ben centrata e stretta.
- ? Montare nuovamente i manicotti di aspirazione e mandata della pompa.
- ? Togliere il tappo di chiusura dello skimmer.

## 7.2 Soluzione dei guasti e servizio tecnico.

Questo filtro e le sue istruzioni sono appositamente progettati per un uso familiare, senza la necessità di un intervento professionale, salvo in casi eccezionali. Qui di seguito, descriviamo i problemi e le cause che possono sorgere con il passare degli anni e che lei può risolvere. Nel caso in cui non possa risolvere il suo problema, si metta in contatto con il fabbricante, al numero di telefono e nell'orario indicati nelle istruzioni.

PROBLEMA	CAUSA	SOLUZIONE
Il filtro sgocciola dai terminali dei manicotti	Cattivo collegamento dei terminali con i manicotti	Negli alloggi con filettatura, mettere teflon e introdurre i terminali dei manicotti fino in fondo e stringere le ghiera
Una volta messo in moto il filtro , non dà portata nella bocchetta di ritorno	La valvola non é nella posizione di filtraggio (filter)	Disinserire il filtro e situare la valvola nella posizione corretta
	Il filtro si trova sopra il livello dell'acqua, disinnescato	Situare il filtro in una posizione corretta ed innescarlo
	La pompa é intasata ed ha bisogno di essere smontata	Vedi paragrafo 7.1
Funzionamento intermittente	Il coperchio d'aspirazione o il tappo dello skimmer sono collocati	Togliere il coperchio d'aspirazione o il tappo dello skimmer
	Livello dell'acqua nello skimmer basso	Riempire la piscina e innescare il filtro
Il filtro dà poca portata	Il filtro é disinnescato	Procedere ad innescare il filtro
	A causa del suo uso il filtro é sporco	Effettuare un autolavaggio
Fuoriesce acqua dalla bocchetta del filtro	Il filtro é disinnescato	Procedere ad innescare il filtro
	La zona d'unione tra la valvola ed il filtro é sporca	Pulire la bocchetta dalla sabbia, collocare correttamente la guarnizione sulla valvola e stringere con forza la ghiera
La valvola del filtro sgocciola dal terminale dello scarico (WASTE)	La ghiera é allentata	Pulire la bocchetta dalla sabbia, collocare correttamente la guarnizione sulla valvola e stringere con forza la ghiera
	Guarnizione interna danneggiata per scorretto uso del prodotto chimico	Procedere al cambio del coperchio superiore della valvola
Non parte il motore. Non fa nessun rumore né vibrazione	Valvola testata rotta per uso scorretto (troppo stretto)	No mettere il prodotto chimico nel cesto di prefiltraggio dello skimmer
	Manca corrente nella linea elettrica.	Cambiare valvola testata, non stringere eccessivamente
Non parte il motore ma si sente un ronzio	Terminali allentati nel motore.	Controllare che ci sia corrente nella linea elettrica
	Asse intasato dopo una prolungata inattività	Aprire il motore (paragrafo 6) e revisionare i terminali del motore
	Condensatore fuso	Vedi paragrafo 7
Perdita d'acqua	Motore fuso	Si può comprare in un negozio di articoli elettrici (sostituzione durante la garanzia dell'apparecchio)
	Analizzi la causa della perdita d'acqua	Si metta in contatto con il servizio post-vendita del fabbricante della piscina
		Controlli le ghiera dei manicotti
		Se perde tra la pompa ed il motore, si metta in contatto con il servizio post-vendita del fabbricante della piscina

**DE VEILIGHEIDSAANWIJZINGEN AANDACHTIG DOORNEMEN**

Voor alles wat de elektrische installatie betreft moet de norm

**EN C15-100**

**NF EN 60-335-2-41**

gevolgd worden die betrekking heeft op “de aanleg van elektrische installaties, zowel voor overdekte zwembaden als voor openlucht zwembaden”, of de desbetreffende norm van ieder land of regio afzonderlijk.

? Voor alle filters moet de installatienorm C15-100 gevolgd worden die duidelijk specificereert dat ieder willekeurig elektrisch apparaat dat zich op minder dan 3.5 m afstand van het zwembad bevindt en waar het publiek vrij toegang toe heeft, op een laag voltage van 12V werkt. Elk apparaat dat werkt op een voltage van 220V moet op zijn minst op een afstand van 3,5 m van de rand van het zwembad geplaatst worden. Voor het veranderen van een of meerdere elementen van het filterstelsel moet toestemming aan de fabrikant gevraagd worden

? De elektrische installatie moet aangelegd worden door vakmensen, gespecialiseerd in elektrische installaties. Het zand mag niet hoger reiken dan 2/3 van de hoogte van het deposito.

? Het apparaat mag niet in werking zijn wanneer het zwembad in gebruik is.

? Het apparaat niet laten werken als het niet op correcte wijze aan de gang gebracht is.

? NOOIT met een nat lichaam of natte handen het werkende filter aanraken.

? Bij het manipuleren van het filter of de klep altijd van de stroomtoevoer AFSLUITEN

? Alvorens enig elektrisch toestel aan te raken eerst controleren of de grond droog is.

? Het filter nooit plaatsen waar het nat kan worden, dit kan electrocutie veroorzaken.

? Verbied kinderen en volwassenen om op het apparaat te gaan zitten of er tegen aan te leunen.

? Als het buigbare snoer van dit apparaat beschadigd is, moet het vervangen worden. Lees hiertoe aandachtig de instructies ter vervanging van het snoer. Bij eventuele twijfel de technische dienst raadplegen.

**1 ONDERDELEN VERPAKKING**

Het filter dat u juist aangeschaft heeft, is een apparaat dat speciaal ontworpen is voor gebruik bij staande zwembaden. Een toestel met een vernieuwend ontwerp en grote functionaliteit waarmee u over de benodigde elementen beschikt om het water te zuiveren. Filter, pomp en wisselklep in één apparaat. De belangrijkste onderdelen van dit filter zijn:

<b>Modelo</b>	<b>Fig.</b>	<b>Pos</b>	<b>Denominación</b>
AR135 / 140 AR135L / 140L AR135E / 140E AR1350 / 1400	1	1	Filtro
	1	2	Pomp
	1	3	Wisselklep 1 - 1/2"
	1	4	Leegdop
	1	5	Elektrische voedingskabel
	4	6	Klamp of ijzeren ring
	1-8-9-14-15	8	Slang ø38 mm x 0,58 m
	5A / 5B	7	Silex zand
AR135 / 140 AR135L / 140L AR135E / 140E			Slang ø38 mm x 1,5 m (Reinigen van het zand)
	3-8-9-14-15	10	2 slang ø38 mm x 4,5 m
	8-9-14-15	13	Klembanden
	9-15	14	Moer 2- 1/4"
	9-15	15	Aansluiting via bout ø 38 mm
	9-15	16	Thorische pakking
AR140 / AR140E AR140L / AR1400	8	11	Platte pakking voor mof 1 - 1/2"
	8	12	Mof of bus 1 - 1/2"
AR135 / 140	3	17	Wandskimmer, Dream Pool zwembaden
AR135E / 140E	3	18	Zelfdragende skimmer, Magic Pool zwembaden
AR135L / 140L	3	19	Wandskimmer, Jet Pool zwembaden
AR1350 / 1400	Zand en aansluitingsonderdelen voor het zwembad niet bijgeleverd		

### 1.1 NOODZAKELIJK VOOR EEN CORRECTE INSTALLERING:

Dank zij de eenvoudige installering kan dit toestel door een **VOLWASSENE** in ongeveer **2 UUR** tijds gemonteerd worden, alhoewel er voortdurend strikt de hand moet worden gehouden aan de instructies in de voorliggende handleiding.

Voor de correcte behandeling van de onderdelen van het filter en voor de correcte aansluiting ervan, is het onderstaande gereedschap nodig:

Functie	Gereedschap	Alternatief gereedschap
De schroeven van de klembanden aandraaien	Schroevendraaier stecker 7mm	Schroevendraaier met op de slangen aandraaien
Liner afsnijden	Cutter	Scheermesje
Bescherming van de buis van het verzamelvat	Een stuk plastic	Een stuk stof

## 2 ALVORENS HET FILTER AAN TE SLUITEN

### 2.1 Plaats

Plaats het filter op een vlakke en solide ondergrond op minimaal 3,5 m. van het zwembad (in overeenstemming met de Norm NF C-15-100 of overeenkomstige norm al naar gelang regio of land), en op gelijke hoogte met de bodem van het zwembad om te voorkomen dat er lucht in het zuiveringscircuit en in het filter komt (Afb.2). Aangeraden wordt het filter zo te plaatsen dat het tegen zon en regen beschermt is en er voldoende ventilatie tijdens het bedrijf van het filter is. Het filter nooit bedekken wanneer het in bedrijf is.

### 2.2 Montage

Zodra het filter geplaatst is, als volgt te werk gaan :

#### 2.2.1 Laden van het zand AR-135, AR-135L, AR-135E

? Dek het mondstuk van de buis van het interne verzamelvat af met een plastic bescherming om te voorkomen dat er zand in komt (Afb.5 A).

? Plaats het interne verzamelvat op de juiste wijze onder in het filter (Afb.6).

? **Breng 40 kg van het meegeleverde zand in het filter (Afb.5 A). Het zand wordt geleverd in zakken van 25 kg.**

? Het silex zand heeft een onbeperkte levensduur en dient alleen aangevuld te worden als er zand verloren gaat.

Markeer het peil van het silex zand om dit later tot het gewenste niveau aan te kunnen vullen. Het resterende zand moet in de zak en op een droge plaats bewaard worden.

? Verwijder de zandresten bij de inlaat van het filter en neem de plastic bescherming weg.

? Plaats de TOP wisselklep en de pakking terug en breng de klemband of de sluiting weer aan volgens de afbeeldingen op het blad dat bij de klamp of stalen ring bijgeleverd wordt.

? Draai de schroef van de klemband waarmee de klep aan het filter bevestigd is stevig aan (Afb. 4 en 6).

#### 2.2.2 Laden van het zand AR-140, AR-140L, AR-140E

? Dek het mondstuk van de PVC verzamelbuis met een plastic bescherming af om te voorkomen dat er zand in komt (Afb. 5 B).

? Plaats de verzamelbuis op de juiste wijze onder in het filter (Afb. 6).

? De afsluitklep moet dusdanig geplaatst worden dat de pijp voor lediging van het verzameldepôt (Afb. 7 en B) samenvalt met de opening die de afsluitklep aan de onderkant heeft (Afb. 7 en A).

? **Breng 85 kg van het meegeleverde zand in het filter (Afb.5 A). Het zand wordt geleverd in zakken van 25 kg.**

? Het silex zand heeft een onbeperkte levensduur en dient alleen aangevuld te worden als er zand verloren gaat.

Markeer het peil van het silex zand om dit later tot het gewenste niveau aan te kunnen vullen. Het resterende zand moet in de zak en op een droge plaats bewaard worden.

? Verwijder de zandresten bij de inlaat van het filter en neem de plastic bescherming weg.

? Plaats de TOP wisselklep en de pakking terug en breng de klemband of de sluiting weer aan.

? Draai de schroef van de klemband stevig aan waarmee de klep aan het filter bevestigd is (Afb. 4 en 6).

#### 2.2.3 Aansluiting van de slangen

##### Bij de modellen AR-135, AR-135L en AR-135E,

Het uiteinde van de slang van 0.58m (pos.8 fig.14) aansluiten aan de visgraat van de afsluitklep (waar aangegeven staat POMP). zet deze vast met een kabelklem en verbindt het andere uiteinde met de penverbinding op de bovenzijde van de motor (Pos.15 Fig.15) (is oorspronkelijk al gemonteerd) met behulp van een kabelklem.

Sluit één uiteinde van de slangen van 4,5 m (Pos.10 Fig.14) aansluiten aan de visgraat van de afsluitklep (waar aangegeven staat RETURN). aan de visgraat van de afsluitklep (Fig.14), sluit het andere uiteinde van deze slang aan op de terugvoeropening van het zwembad met behulp van een kabelklem (Fig.3).

Sluit één uiteinde van de andere slang van 4,5 m aan op de skimmer met behulp van een kabelklem (Fig.3);

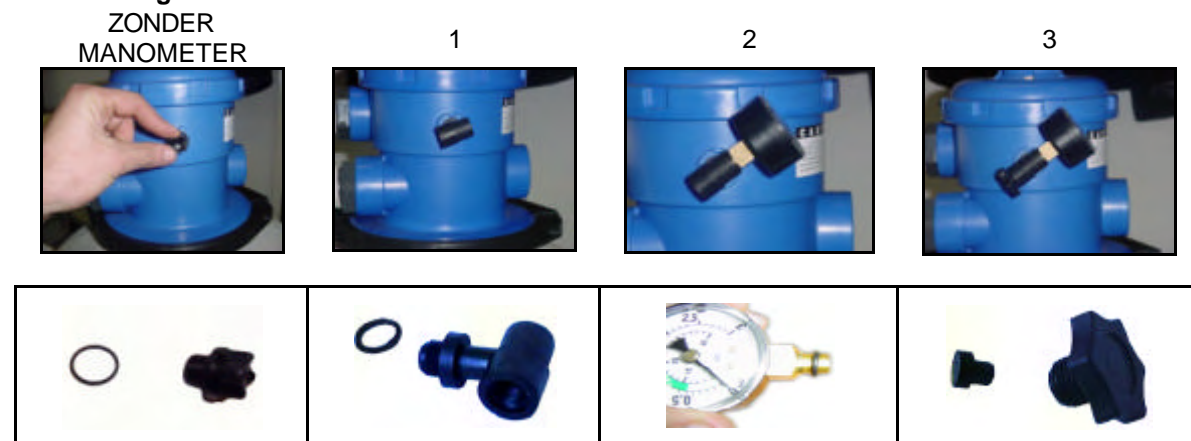
Sluit het uiteinde (Pos.10 Fig.15), aan op het zuigdekseel behulp van een kabelklem.

### Bij de modellen AR-140, AR-140L, AR-140E

Sluit één uiteinde van de slang van 0,58 m. (Pos.8 Fig.8) aan op de ingang van de keuzeklep (die zich oorspronkelijk al in de stand PUMP bevindt), zet deze vast met een kabelklem en verbindt het andere uiteinde met de penverbinding op de bovenzijde van de motor (Pos.15 Fig.9 en Fig.15) (is oorspronkelijk al gemonteerd) met behulp van een kabelklem. Breng een vlakke naad aan (Pos.11 Fig.8) in het inwendige van de terugvoeraansluiting (RETURN) van de keuzeklep en draai de koppelverbinding met kracht aan (Pos.12 Fig.8), sluit één uiteinde van de slangen van 4,5 m (Pos.10 Fig.8) op deze koppeling aan met een kabelklem (Fig.8), sluit het andere uiteinde van deze slang aan op de terugvoeropening van het zwembad met behulp van een kabelklem (Fig.3).

Sluit één uiteinde van de andere slang van 4,5 m aan op de skimmer met behulp van een kabelklem (Fig.3); plaats de O ring (Pos.16 Fig.9) in de ingang van de pomp, steek de penverbinding (Pos.15 Fig.9) door de moer (Pos.14 Fig.9), en schroef deze stevig op de verbinding. Sluit het uiteinde van de slang van 4,5 m (Pos.10 Fig.9), die vanaf de skimmer komt, aan met behulp van een kabelklem.

#### 2.2.4 Montage van de manometer



### 3 ELEKTRISCHE AANSLUITING

Voor alles wat de elektrische installatie betreft moet de norm

**EN C15-100**

**NF EN 60-335-2-41**

gevolgd worden die betrekking heeft op "de aanleg van elektrische installaties, zowel voor overdekte zwembaden als voor openlucht zwembaden", of de desbetreffende norm van ieder land of regio.

De pomp dient op een geaard stopcontact van 220 V wisselspanning en 50Hz aangesloten te worden. Verbruik 3.4 A. Het is beslist noodzakelijk een omni-polaire schakelaar te gebruiken, zodat er geen spanning op het filter staat als dit niet gebruikt wordt, en een differentiaalschakelaar van 30 mA ter bescherming tegen ontladingen. (Geen van beide schakelaars wordt bijgeleverd, maar zijn bij de speciaalzaak verkrijgbaar).

### 4 BOVENSTE WISSELKLEP

De bovenste wisselklep bedient de vier verschillende functies van het filter . zuiveren (filter), reinigen (backwash), legen (waste) en sluiten (closed). Om de stand van de klep te wijzigen, dient men als volgt te werk te gaan :

? Haal altijd eerst de stekker uit het stopcontact.

? Draai de bovenste driehoekige knop van de klep los totdat het deksel van het huis omhoogkomt en dit kan draaien.

? Draai het deksel zó totdat het op één lijn staat met de gewenste functie en het lipje in de behuizing valt (zie Afb. 12).

? De knop langzaam weer loslaten : de voorkant moet op de juiste manier in de behuizing vallen.

### 5 WERKING

**HET CHEMISCHE MIDDEL MAG ONDER GEEN ENKELE VOORWAARDE IN DE KORF OF VIA HET FILTER TOEGEVOEGD WORDEN OMDAT DIT DE MATERIALEN VAN HET APPARAAT AANTAST EN DE WERKZAAMHEID ERVAN VERMINDERT**

De werking van het filter berust op het vasthoudend vermogen van het silex dat zich in het filter bevindt. Het water in het zwembad wordt door de filterpomp en het silex geperst waardoor de vuile deeltjes uit het water achterblijven in het zand dat als een filterelement werkt. De omgeving, stuifmeel, bomen, insecten en gebruiksfrequentie zijn onder meer factoren die de vuilgraad van het water in het zwembad bepalen, en afhankelijk hiervan dient het silex in het filter vaker of minder vaak automatisch gereinigd te worden (zie paragraaf 5.3.).

Om het water van het zwembad in goede staat te houden, dient men tevens chemische middelen (chloor, algengroei remmend middel, floculators, enz.) die door de fabrikant aanbevolen worden, te gebruiken.

### 5.1 Ontluchten van het filter

Het is noodzakelijk dat het filter altijd op de juiste wijze ontlucht is. Als het filter niet ontlucht is, betekent dit dat er zich een luchtkamer in het filter gevormd heeft die een slechte circulatie van het water tot gevolg heeft, waardoor een correcte zuivering door het filter via het silex verhinderd en de motor beschadigd wordt.

Het filter dient om verschillende redenen ontlucht te worden .

- ? Inbedrijfstelling van een nieuw toestel.
- ? Inbedrijfstelling van een toestel nadat het in langere tijd niet gebruikt is.
- ? Na incorrect gebruik van een bodemzuiger.
- ? Luchtabsorptie door de skimmer als gevolg van een laag waterpeil in het zwembad.
- ? Als gevolg van een onjuist gebruik van het toestel, zuigdop of skimmerdop.

#### 5.1.1 Wanneer zit er lucht in het filter?

Er zit lucht in het filter als we :

- ? Vaststellen dat het geluid van het in het filter binnenstromende water naar vrij vallend water klinkt. Dit wijst erop dat er zich tussen de wateraanvoer en het silex een luchtkamer gevormd heeft.
- ? Vaststellen dat er uit het mondstuk van de retourleiding te veel luchtbellen komen.
- ? Vaststellen dat de bodemzuiger (niet bijgeleverd) niet zuigt, terwijl het silex na het automatisch reinigen schoon is.
- ? Vaststellen dat de manometer in de stand 0 bar staat.

#### 5.1.2 Hoe wordt het filter ontlucht?

- ? Controleer of de aanzuigslang op de skimmer aangesloten is en de doorgang open staat (de dop zit er niet op).
- ? Sluit het filter van de stroomtoevoer af.
- ? Draai, met de klep in de stand zuiveren (filter) de ontluchtingsmoer die zich naast de manometer bevindt, los, teneinde de in het filter verzamelde lucht te laten ontsnappen. Als er geen manometer aangebracht is, de wisselklep in de stand WASTE zetten.
- ? Draai de ontluchtingsmoer weer dicht zodra men ziet dat er alleen water uitkomt (na 1 tot 2 minuten).
- ? Sluit het filter op de stroomtoevoer aan en controleer of het geluid van vrij vallend water verdwenen is. Is dit niet het geval, dan dient men dezelfde handelingen nogmaals uit te voeren.

### 5.2 Zuiveren

**ONDER GEEN ENKELE VOORWAARDE AAN DE WISSELKLEP  
KOMEN ALS MOTOR WERKT**

Alvorens te beginnen met zuiveren eerst het zand reinigen (Hoofdstuk 5.3.)

De klep dient in de stand zuiveren (FILTER) te staan, De levensduur van het filter is optimaal bij perioden van continu bedrijf die niet langer dan 4 uur duren. De noodzaak van het zuiveren wordt bepaald door het watervolume (m<sup>3</sup>) van het zwembad in verhouding tot het debiet van m<sup>3</sup>/u van het filter. Laat de motor minstens 2 uur tussen de bedrijfsintervallen van 4 uur uitstaan.

$$\frac{\text{Volume zwembad in m}^3}{\text{Debiet filter in m}^3} = \text{nodige uren}$$

Voorbeeld:

$$\frac{42 \text{ m}^3}{5,5 \text{ m}^3/\text{h}} = 7,63 \text{ uur} \quad \text{2 maal 1 cyclus van 4 uur met een tussentijdse cyclus van 2 uur rust}$$

In het begin dienen de aangegeven rustperioden strikt aangehouden te worden. Aangeraden worden om de zuiveringstijd te verhogen naarmate de temperatuur van het water van uw zwembad hoger is.

### 5.3 Reinigen van het zand

Door het automatisch reinigen wordt het silex zand in het filter schoongemaakt ; hiertoe dient de richting van de watercirculatie middels de bovenste wisselklep omgezet te worden. Het reinigen dient regelmatig uitgevoerd te worden en daarom dient men op de verschillende factoren te letten die aangeven dat het zand vuil is :

- ? Wanneer er een vermindering van het retourwaterdebiet waargenomen wordt, nadat men gecontroleerd heeft of de pomp goed ontlucht is.
- ? Wanneer de manometer een te hoge druk aangeeft (de wijzer staat tussen het gele en rode gebied of in het rode gebied).

#### 5.3.1 Om het filter automatisch te reinigen gaat men als volgt te werk :

- ? Sluit het filter van de stroomtoevoer af. Beweeg de wisselklep in geen geval met draaiende motor.



- ? Druk het bovenste bedieningsorgaan van de klep krachtig in, zodat de weerstand van de inwendige veer overwonnen wordt en haal de bovenste rib zover uit de behuizing totdat deze om zijn eigen as kan draaien.
- ? Draai het bedieningsorgaan iets totdat de voorste rib met de behuizing van de gewenste handeling op één lijn komt te liggen (backwash).
- ? Sluit de slang van ø38 mm x 1,5 m. aan op de waterafvoer (waste), Afb. 8, van de klep en leg het andere uiteinde van de slang in de afvoer of het riool AR140-AR140E-AR140L. Sluit de slang van ø38 mm x 1,5 m. direct aan de visgraat van de afvalwaterklep (waste), Afb. 8, van de klep en leg het andere uiteinde van de slang in de afvoer of het riool AR135-AR135E-AR135L.
- ? Zet het filter ongeveer 2 minuten aan, totdat er geen vuile deeltjes meer met het water meestromen. Dit kan men nagaan via het doorzichtige kijkgaatje aan de zijkant.
- ? Zet het filter uit
- ? Zet de wisselklep in de stand spoelen (rinse) en laat het filter 2 minuten werken.
- ? Het filter uitzetten, weer tot de gewenste zuiveringsstand terugkeren (filter) en indien gewenst de slang van de waterafvoer (waste) verwijderen.

#### **5.4 Het zwembad leeg laten lopen.**

Via het filter kan men het zwembad aan het einde van het seizoen vrijwel geheel leeg laten lopen. Men dient hiertoe de bovenste wisselklep in de stand waterafvoer (waste) te zetten en, voordat men het filter in werking stelt, een slang met ø 38 mm x 1,5 m op de vrije uitlaat van de wisselklep aan te sluiten zodat het water naar de afvoer of het riool wordt afgevoerd. Afhankelijk van het model van de skimmer gaat men als volgt te werk :

##### **5.4.1 Model AR135, AR135L, AR140, AR140L**

**(met wandskimmer voor Dream Pool en Jet Pool zwembaden) :**

- ? Neem de binnenkorf van de skimmer weg en sluit de aanzuig met de daartoe bijgeleverde dop af.
- ? Maak de aanzuigslang van de aansluiting van de skimmer los door de slangklem waarmee deze bevestigd is, los te draaien en de slang zó vast te houden dat er geen water uitkomt en er geen lucht in kan komen.
- ? Neem de slang weg en dek het uiteinde af zodat er geen lucht inkomt, en dompel de slang direct in het zwembad onder.
- ? Schakel de pomp in en laat het zwembad leeglopen. Denk eraan dat het zwembad via het filter niet helemaal leeg zal lopen en zet de pomp uit als er nog een paar cm. water in het zwembad zit en de pomp geen water meer afzuigt.
- ? Als de pomp voor het leeglopen van het zwembad eenmaal in werking gezet is, mag het proces niet onderbroken worden tot aan het einde ervan om te voorkomen dat er lucht in komt.
- ? Als men het zwembad opnieuw vol wil laten lopen, verwijder dan het resterende water met de hand zonder het doek te beschadigen.
- ? Als men het zwembad demonteert kan men de liner met het resterende water in het midden dubbelvouwen
- ? Bij Model DREAM POOL het plaatwerk verwijderen en bij Model JET POOL de leidingen.
- ? De liner weer uitvouwen om al het water te verwijderen.
- ? Deze handeling mag uitsluitend uitgevoerd worden als men het zwembad wil demonteren.

##### **5.4.2 Model AR135E, AR140E**

**(met zelfdragende skimmer voor Magic Pool zwembaden)**

Naast de waterafvoer waarmee het zwembad uitgerust is, kan men ook gebruik maken van de waterzuivering om het zwembad leeg te laten lopen :

- ? Til de zelfdragende skimmer zover op dat deze aan de buitenkant van de zijwand van het zwembad hangt om te voorkomen dat er water in kan komen.
- ? Maak de aanzuigslang van de aansluiting van de skimmer los door de slangklem waarmee deze bevestigd is, voorzichtig los te draaien dat de liner niet beschadigd wordt en de slang zo vast te houden dat hij geen water verliest en dompel de slang direct in het zwembad onder zodat er geen lucht inkomt.
- ? Verzwaar het uiteinde van de aanzuigslang met een zwaar voorwerp dat het doek niet beschadigt, zodat de slang naar de bodem zinkt.
- ? Schakel de pomp in en laat het zwembad leeglopen. Denk eraan dat het zwembad via het filter niet helemaal leeg zal lopen en zet de pomp uit als er nog een paar cm. water in het zwembad zit en de pomp geen water meer afzuigt.
- ? Als de pomp voor het leeglopen van het zwembad eenmaal in werking gezet is, mag het proces niet onderbroken worden tot aan het einde ervan om te voorkomen dat er lucht in komt.
- ? Als men het zwembad opnieuw vol wil laten lopen, verwijder dan eerst het resterende water met de hand zonder het doek te beschadigen.

**VOORKOM DAT DE SLANG ZICH OP HET DOEK VAN DE BODEM VAN HET ZWEMBAD VASTZUIGT, OMDAT BIJ HET WERKEN ZONDER WATER DE POMP OF HET DOEK (LINER) BESCHADIGD KUNNEN WORDEN.**

#### **5.5 De bodem van het zwembad schoonmaken**

Voor het reinigen van de bodem van het zwembad kan men van de filterpomp gebruik maken met een van de onderstaande toebehoren :

Bodemreiniger "Riñón" / **AR-206**. Bodemreiniger "Oval" / **AR-207** (men heeft tevens de slang van ? 38 mm. /**AR-210** en de stok **AR-102** nodig). Raadpleeg hierover de winkel of de afdeling Aftersales van de fabrikant bij wie u het zwembad gekocht heeft. Gebruik altijd originele onderdelen.

Een slang die langer is dan nodig om het hele zwembad te beslaan, is moeilijker in gebruik. Snijd daarom de slang op de juiste lengte af. Let erop dat de rubber aansluitingen niet lekken.

### 5.5.1 Het ontluichten van de slang van de bodemreiniger:

Plaats de bodemreiniger met de stok en de aangesloten slang in verticale positie voorzichtig in het zwembad, laat hem vollopen met water en houd de rest van de slang uit het water. Laat de slang beetje bij beetje (stukjes van 50 cm) in het water zakken, zodat het stukje slang direct onder water komt en geheel met water gevuld wordt totdat het einde van de slang bereikt is en deze geheel ondergedompeld is en vol water zit. Als de slang niet volledig vrij van lucht is, zuigt de bodemreiniger niet en kan de waterzuivering beschadigd raken.

### 5.5.2 Model AR-135, AR-135L, AR-140, AR-140L

(met wandskimmer voor Dream Pool en Jet Pool zwembaden :

Breng de zuigdop (toebehoren) in de skimmer aan met de aansluiting naar boven zonder de korf te verwijderen.

#### Ontlucht de slang.

Voer het uiteinde van de slang via DE BINNENZIJDE VAN HET ZWEMBAD door de poort van de skimmer en let erop dat er daarbij geen lucht inkomt. Sluit de slang op de aansluiting van de zuigdop aan en houd deze daarbij schuin vast, zodat deze gemakkelijker kan worden aangesloten. Breng vervolgens de slang horizontaal verder naar binnen. Let erop dat de poort van de skimmer bij deze handeling niet beschadigd wordt. Het waterpeil van de skimmer dient maximaal te zijn en zich boven de verbinding van dop en slang bevinden, zodat er geen lucht in kan komen.

Zet de pomp aan in de stand zuiveren (filter) en maak de bodem van het zwembad schoon.

### 5.5.3 Model AR-135E, AR-135ES, AR-135EUK, AR-140E, AR-140ES, AR-140EUK

(met zelfdragende skimmer voor Magic Pool zwembaden) :

Verwijder de bovenste drijvende ring van de skimmer zonder de korf van het voorfilter te verwijderen, plaats de zuigdop (toebehoren) met de aansluiting naar boven aan de bovenkant van de skimmer en laat de skimmer zover het zwembad in zakken dat de zuigdop geen lucht aanzuigt.

#### Ontlucht de slang.

Let erop dat er geen lucht in komt en sluit deze op de aansluiting van de zuigdop aan. De verbinding van slang en dop dient onder water te zitten, zodat er geen lucht in kan komen.

Schakel de pomp in en maak de bodem van het zwembad schoon.

### 5.6 Spoelen

Na het filter "GEWASSEN" te hebben, het toestel in de stand "ZUIVEREN" zetten. Het water zal gedurende enkele seconden troebel in het zwembad stromen. Teneinde te voorkomen dat dit troebele water het zwembad inloopt bestaat de stand "ENJUAGUE" (SPOELEN) van de wisselklep. Als volgt te werk gaan na "LAVADO" (WASSEN) : de pomp afzetten, de wisselklep in de stand "ENJUAGUE" (SPOELEN) zetten en de pomp gedurende 1 minuut laten werken. Hierna de pomp stopzetten en de stand van de wisselklep veranderen naar "FILTRACION" (ZUIVEREN).

### 5.7 Sluiter

De sluitstand (CLOSED) van de klep wordt gebruikt om te voorkomen dat het water via de slangen en het filter circuleert.

### 5.8 Recirculeren

In deze stand laat de wisselklep het water dat afkomstig is van de pomp direct naar het zwembad lopen, zonder door het filter heen te gaan.

## 6 VERVANGEN VAN HET SNOER

Als het snoer beschadigd is, dient men als volgt te werk te gaan :

? Sluit het apparaat van de stroomtoevoer af.

? Draai de schroeven waarmee het huis voor de aansluitingen bevestigd is, los en breng dit omhoog (Afb. 11 / 17).

? Maak de aansluitingen van de schakelkast van de pomp los en let op de stand ervan.

? Verwijder het snoer om dit te vervangen en voer vervolgens de handelingen in omgekeerde volgorde uit.

## 7 ONDERHOUD

Na het zomerseizoen dient het filter op een droge plek en beschermt tegen de weersomstandigheden bewaard te worden.

Hierom dient men na het voor de laatste keer automatisch reinigen van het silex de slangen los te maken en al het water via de leegdop van het reservoir uit het filter te verwijderen.

Verwijder, nadat al het water uit het filter afgetapt is, de silex van het schroefdraad alvorens de dop weer aan te brengen, omdat het schroefdraad hierdoor eventueel beschadigd kan worden.

De leegdop van het filterreservoir mag alleen voor deze handeling gebruikt worden.

**BELANGRIJK :** controleer voordat men het filter weer inschakelt nadat het een langere periode niet gebruikt is, of de motoras niet vast zit door deze met een platte schroevendraaier bij het uiteinde dat via het metalen ventilatiedeksel zichtbaar is achter de bobine van de motor, te bewegen totdat deze vrijkomt en draai de as heen en weer.

Ook dient men te controleren of het filter ontluicht is alvorens de motor na een langere periode van stilstaan te starten.

### 7.1 Onderhoud van de pomp.

De filterpomp is in principe onderhoudsvrij. Echter het gebruik van het apparaat bij zwembaden de erg vuil worden door met name gevallen blad, kan ertoe leiden dat de as van de pomp vastloopt. Mocht dit gebeuren, dan dient men als volgt te werk te gaan

? Sluit het apparaat van de stroomtoevoer af.

- ? Zet de klep in de sluitstand (closed).
- ? Breng de sluitdop van de skimmer aan.
- ? Maak de aanzuigslang en de aandrijvings slang van de pomp los.
- ? Draai de schroeven waarmee het deksel van het pomphuis bevestigd is, los.
- ? Maak het wielje schoon. Als het kapot is, neem dan contact op met de fabrikant van het zwembad om het te vervangen.
- ? Monteer het deksel van de pomp en let erop dat dit goed centraal staat en aangedraaid is.
- ? De aanzuigslang en de aandrijvings slang van de pomp weer monteren.
- ? Verwijder de sluitdop van de skimmer.

### 7.2 Oplossen van storingen en de technische dienst.

Dit filter en deze aanwijzingen zijn speciaal bedoeld voor de gebruikers zonder dat hierbij het inschakelen van een vakman nodig is, behalve in bijzondere gevallen. Hieronder geven wij de problemen en de oorzaken aan die zich mogelijk tijdens het gebruik van het filter door de jaren heen kunnen voordoen en die u zelf kunt oplossen. Indien u het probleem niet kunt oplossen, neem dan telefonisch contact op met de fabrikant van het zwembad wiens nummer en kantooruren in de handleiding vermeld staan.

PROBLEEM	OORZAAK	OPLOSSING
Het filter lekt bij de aansluiting van de slangen	De aansluiting van de slangen is niet goed	Breng teflon bij de behuizingen aan, steek de aansluitpunten geheel in de slangen tot achter in de behuizing en zet de slangklemmen vast
Na het inschakelen van het filter is er geen doorstroom bij het mondstuk van de retourleiding	De klep staat niet in de stand zuiveren (filter)	Schakel het filter uit en zet de wisselklep in de juiste stand
	Er zit lucht in het filter boven het waterpeil.	Plaats het filter in de juiste stand en ontlucht het
	De pomp is vastgelopen en moet gedemonteerd worden	Zie paragraaf onderhoud van de pomp
Haperende werking	De zuigdop of de skimmerdop zijn aangebracht	Verwijder de zuigdop of de skimmerdop
	Laag waterpeil in de skimmer	Laat het zwembad vollopen en ontlucht het filter
Het filter geeft een lage doorstroom	Er zit lucht in het filter	Het filter ontluchten
	Door het gebruik is het filter vuil geworden	Laat het filter automatisch reinigen
Er komt water uit het mondstuk van het filter	Er zit lucht in het filter	Het filter ontluchten
	Het gebied van de verbinding van klep en filter is vuil	Maak het mondstuk schoon, plaats de pakking op de juiste wijze in de klep en draai de klemband strak aan
De klemband zit los	De klemband zit los	
	Inwendige pakking beschadigd door een onjuist gebruik van het chemische middel	Vervang het bovenste deksel van de klep Breng geen chemisch middel in de korf van het voorfilter van de skimmer in
De klep van het filter lekt bij de waterafvoeraansluiting (WASTE)	Kop van de klep is kapot door onjuist gebruik (te strak aangedraaid)	Vervang de kop van de klep en draai deze niet te strak aan
	Er is geen stroom in de elektrische leiding.	Controleer of er stroom door de leiding loopt
De motor start niet. Hij maakt geen geluid en trilt niet	Losse aansluitingen bij de motor.	Maak de motor open (paragraaf 6) en kijk de aansluitingen van de motor na
	De as zit vast na langere tijd niet gebruikt te zijn.	Zie paragraaf 7
De motor start niet maar men hoort een zoemgeluid	Gesmolten condensator	Deze is bij de speciaalzaak verkrijgbaar (vervangen tijdens de garantieperiode van het apparaat)
	Gesmolten motor	Neem contact op met de service na verkoop van de fabrikant van het zwembad
Er lekt water	Ga de oorzaak van het lekken van water na	Loop de slangklemmen van de slangen na Als er water tussen de pomp en de motor lekt, neem dan contact met de afdeling aftersales van de fabrikant van het zwembad op

## INDICAÇÕES DE SEGURANÇA, LEIA COM ATENÇÃO

? No que se refere à instalação eléctrica dever-se-á seguir a norma:

**NF C15-100**

**NF EN 60-335-20-41**

relativa “à construção de instalações eléctricas, tanto em piscinas cobertas como em piscinas ao ar livre”, ou a norma análoga vigente em cada região ou país.

? “Todas as filtrações seguem a norma de instalação C 15-100 que especifica que qualquer aparelho eléctrico situado a menos de 3,5 m da piscina e com livre acesso deve estar alimentado com muito baixa tensão 12 V. Todo aparelho alimentado com 220 V deve estar situado a, no mínimo, 3,5 m do bordo da piscina. Para qualquer modificação de um ou de vários elementos do sistema de filtração”, deve-se pedir a autorização do fabricante.

? A instalação eléctrica deve ser realizada por profissionais qualificados em instalações eléctricas.

? A altura da areia não deve ultrapassar 2/3 da altura do depósito.

? Não deixe o aparelho ligado quando estiver a utilizar a piscina.

? Não faça o aparelho funcionar sem estar correctamente purgado.

? Não toque NUNCA no filtro em funcionamento com o corpo ou com as mãos húmidas.

? Quando tiver de manipular o filtro ou a válvula, DESLIGUE-O da tomada.

? Assegure-se de que o chão esteja seco, antes de tocar no equipamento eléctrico.

? Não coloque o filtro onde ele possa se molhar, pode causar electrocussão.

? Não permita que crianças ou adultos se apoiem ou sentem no aparelho.

? Se o cabo de alimentação flexível estiver danificado, deverá ser substituído. Leia com atenção as instruções para a substituição do cabo. Em caso de dúvida consulte o serviço técnico.

## 1 COMPONENTES EMBALAGEM

O filtro que você acaba de comprar é um aparelho especialmente concebido e desenhado para piscinas elevadas. Com um desenho inovador e uma grande funcionalidade, dispõe dos diferentes elementos necessários para filtrar a água: filtro, bomba e válvula selectora num só aparelho. Os principais componentes deste filtro são:

Modelo	Fig.	Pos	Denominación
AR135 / 140 AR135L / 140L AR135E / 140E AR1350 / 1400	1	1	Filtro
	1	2	Bomba
	1	3	Válvula selectora 1-1/2"
	1	4	Tampa de esvaziamento
	1	5	Cabo eléctrico de alimentação
	4	6	Anel
	1-8-9-14-15	8	Mangueira $\varnothing$ 38 mm x 0,58 m
	5A / 5B	7	Arena de sílex
AR135 / 140 AR135L / 140L AR135E / 140E			Mangueira $\varnothing$ 38 mm x 1,5 m (lavagem da areia)
	3-8-9-14-15	10	2 Mangueiras $\varnothing$ 38 mm x 4,5 m
	8-9-14-15	13	Braçadeiras
	9-15	14	Porca 2-1/4"
	9-15	15	Ligação espiga $\varnothing$ 38 mm
	9-15	16	Junta tórica
AR140 / AR140E AR140L / AR1400L	8	11	Junta chata manga 1-1/2"
	8	12	Manga 1-1/2"
AR135 / 140	3	17	Skimmer de parede, piscinas Dream Pool
AR135E / 140E	3	18	Skimmer autoportante, piscinas Magic Pool
AR135L / 140L	3	19	Skimmer de parede, piscinas Jet Pool
AR1350 / 1400	Areia e componentes de ligação à piscina não fornecidos		

## 1.1 PARA INSTALAR O APARELHO CORRECTAMENTE

Devido à facilidade de instalação, este aparelho pode ser montado POR UMA ÚNICA PESSOA ADULTA durante aproximadamente **2 HORAS**, com a devida precaução de seguir rigorosamente as instruções descritas neste manual. Para a manipulação correcta dos componentes do filtro e a sua correcta instalação, são necessárias as seguintes ferramentas:

Função	Ferramenta	Ferramenta alternativa
Apertar os flanges das mangueiras	Chave de parafuso stecker 7mm	Chave de parafuso philips
Recortar o liner	X-acto	Lâmina gilete
Protecção do tubo do colector	Pedaço de plástico	Pedaço de tecido

## 2 ANTES DE LIGAR O FILTRO

### 2.1 Instalação

Coloque o filtro sobre uma superfície plana e sólida, a uma distância não inferior a 3,5 m. da piscina (segundo norma **NF C15-100** ou norma análoga vigente em cada região ou país.) e no mesmo nível do fundo da piscina, para evitar que entre ar no circuito de depuração e se forme uma câmara de ar no filtro (fig. 2). É conveniente proteger o filtro do sol e da chuva, bem como mantê-lo com uma boa ventilação e não cobri-lo nunca durante o seu funcionamento.

### 2.2 Montagem

Uma vez colocado o filtro, proceda do seguinte modo:

#### 2.2.1 Carga de areia AR-135 / AR-135L / AR-135E

- ? Tampe a boca do colector situado dentro do filtro com um plástico de protecção para evitar a entrada de areia (Fig.5 A).
- ? Assente correctamente o colector interior no fundo do filtro (Fig. 6).
- ? **Introduza no interior do filtro somente 40 Kg de areia (Fig. 5 A), a areia é fornecida em sacos de 25 Kg.**
- ? A areia de sílex tem uma duração ilimitada. Somente deve ser reposta em caso de perda. Tome a referência do nível de areia de sílex para futuras reposições e guarde a areia restante dentro do saco e em um lugar seco.
- ? Elimine os restos de areia da boca do filtro e retire o plástico de protecção.
- ? Coloque a válvula selectora TOP com a respectiva junta e coloque o anel ou fecho de acordo com as ilustrações da folha do anel fornecida.
- ? Aperte com força o parafuso ( Pos. 6 Fig. 4 ) do anel que prende a válvula ao filtro .

#### 2.2.2 Carga de areia AR-140 / AR-140L / AR-140E

- ? Tampe a boca do tubo do colector interior com um plástico de protecção para evitar a entrada de areia (Fig. 5 B).
- ? Assente correctamente o colector interior no fundo do filtro (Fig. 6).
- ? Coloque a coletor em uma maneira que o tubo purga do colector (Pos. B Fig. 7 ) coincida em o furo do lado inferior da válvula (Pos. A Fig. 7 ).
- Este tubo (B) ajuda a extrair o ar dentro coletor
- ? **Introduza no interior do filtro somente 85 Kg de areia (Fig. 5 B), a areia é fornecida em sacos de 25 Kg.**
- ? A areia de sílex tem uma duração ilimitada. Somente deve ser reposta em caso de perda. Tome a referência do nível de areia de sílex para futuras reposições e guarde a areia restante dentro do saco e em um lugar seco.
- ? Elimine os restos de areia da boca do filtro e retire o plástico de protecção.
- ? Coloque novamente a válvula selectora TOP com a respectiva junta e coloque o anel ou fecho.
- ? Aperte com força o parafuso ( Pos. 6 Fig. 4 ) do anel que prende a válvula ao filtro .

#### 2.2.3 Ligação das mangueiras

##### **Nos modelos AR-135, AR-135L, AR-135E,**

Ligue uma das extremidades da mangueira de 0,58 m (Pos.8 Fig.14) a espiga da válvula selectora (que vêm marcada posição PUMP) apertando bem com uma braçadeira e, depois, ligue a outra extremidade à ligação de espiga da parte superior do motor (Pos.15 Fig.15) (que já vem montado) também com uma braçadeira.  
Ligue uma das extremidades de uma das mangueiras de 4,5 m (Pos.10 Fig.14) a espiga da válvula selectora (que vêm marcada posição RETURN) utilizando uma braçadeira (Fig.14) e, depois, ligue a outra extremidade da mangueira à abertura de retorno da piscina também com uma braçadeira (Fig.3).  
Ligue uma das extremidades da outra mangueira de 4,5 m ao skimmer utilizando uma braçadeira (Fig.3).  
? Ligue a outra extremidade (Pos.10 Fig.15) à tampa de aspiração utilizando uma braçadeira.

##### **Nos modelos AR-140 , AR-140E , AR-140E**

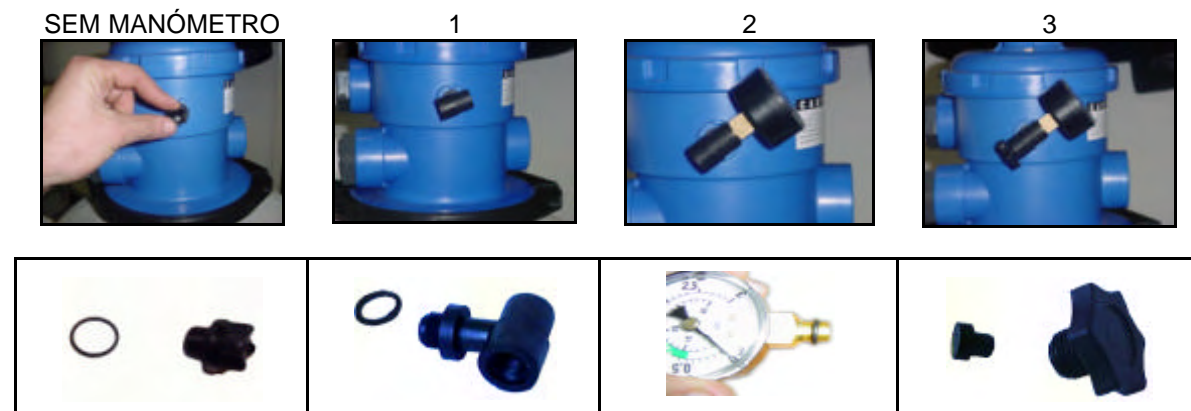
Ligue uma das extremidades da mangueira de 0,58 m (Pos.8 Fig.8) ao terminal de entrada da válvula selectora (que já vem montado na posição PUMP) apertando bem com uma braçadeira e, depois, ligue a outra extremidade à ligação de espiga da parte superior do motor (Pos.15 Fig.9 e Fig.15) (que já vem montado) também com uma braçadeira.

Coloque uma junta plana (Pos.11 Fig.8) no interior da ligação de retorno (RETURN) da válvula selectora e enrosque bem um terminal (Pos.12 Fig.8). Ligue uma das extremidades de uma das mangueiras de 4,5 m (Pos.10 Fig.8) a esse terminal utilizando uma braçadeira (Fig.8) e, depois, ligue a outra extremidade da mangueira à abertura de retorno da piscina também com uma braçadeira (Fig.3).

Ligue uma das extremidades da outra mangueira de 4,5 m ao skimmer utilizando uma braçadeira (Fig.3) coloque a junta tórica (Pos.16 Fig.9) na entrada da bomba, introduza a ligação de espiga Pos.15 Fig.9 por dentro da porca (Pos.14 Fig.9) e enrosque-a bem ao terminal de ligação.

Ligue a extremidade da mangueira de 4,5 m (Pos.10 Fig.9) que vem do skimmer a essa ligação utilizando uma braçadeira.

## 2.2.4 Montagem do manómetro.



## 3 LIGAÇÃO ELÉCTRICA

No que se refere à instalação eléctrica dever-se-á seguir a norma:

**NF C15-100**

**NF EN 60-335-2-41**

relativa "à construção de instalações eléctricas, tanto em piscinas cobertas como em piscinas ao ar livre", ou a norma análoga em cada região ou país.

A bomba deve ser ligada a uma tomada de 220 V de corrente alterna e 50 Hz, com ligação à terra. Consumo 3.4 A. É imprescindível utilizar um interruptor omnipolar, para deixar o filtro sem tensão quando não estiver a ser usado, e um interruptor diferencial de 30 mA para a protecção de descargas (Não fornecidos. Podem ser adquiridos em estabelecimentos de materiais eléctricos).

## 4 VÁLVULA SELECTORA SUPERIOR

A válvula selectora superior é a encarregada de seleccionar as 6 diferentes funções do filtro: lavagem da areia (backwash), recirculação (recirculation), enxaguamento (rinse), filtração (filter), esvaziamento (waste), e fechamento (closed).

Para modificar a posição da válvula, proceda do seguinte modo:

- ? Desligue sempre a ficha da tomada.
- ? Pressione com força o comando superior da válvula até vencer a oposição da mola interna, desencaixando o nervo dianteiro do seu alojamento, de modo a que ele possa girar sobre si mesmo.
- ? Gire suavemente o comando até alinhar o nervo dianteiro com o alojamento da operação desejada.
- ? Solte o comando com cuidado, comprovando que o nervo dianteiro fique bem encaixado no seu alojamento.

## 5 FUNCIONAMENTO

**O PRODUTO QUÍMICO NÃO DEVE SER COLOCADO NUNCA NA CESTA OU ATRAVÉS DO FILTRO, JÁ QUE ISSO DETERIORARIA OS MATERIAIS DO APARELHO E LIMITARIA A SUA EFICÁCIA**

O funcionamento deste filtro baseia-se na capacidade de filtração da areia de sílex presente no seu interior. A água da piscina é impulsionada pela bomba do filtro e forçada a passar através da areia de sílex, ficando retidas as impurezas da água na areia que actua de elemento filtrante. O ambiente, árvores, pólen, insectos e frequência de banhos são, entre outros, factores que determinam a sujidade da água da piscina e, portanto, a frequência de limpeza da areia de sílex do filtro. (ver ponto 5.3).

Para manter a água da piscina em bom estado deverá utilizar também os produtos químicos recomendados pelo fabricante (cloro, anti-algas, floculante, etc.)

### 5.1 Purga do filtro

É imprescindível que o filtro esteja sempre correctamente purgado. Um filtro não purgado significa que no seu interior se formou uma câmara de ar que provoca a circulação defeituosa da água e prejudica o motor.

O filtro pode acumular ar por vários motivos:

- ? Colocação em funcionamento de um equipamento novo.
- ? Colocação em funcionamento de um equipamento após um longo período sem actividade.
- ? Após utilizar incorrectamente um limpador de fundos de aspiração.
- ? Absorção de ar pelo skimmer, devido a um nível baixo de água na piscina.
- ? Por uma incorrecta utilização do equipamento, da tampa de aspiração ou da tampa de skimmer.

#### 5.1.1 Quando há uma acumulação de ar no filtro?

Detectaremos uma acumulação de ar no filtro quando:

- ? Verifiquemos que a água que entra no filtro emite um ruído de queda livre, o que nos indica a formação de uma câmara de ar entre a entrada da água e a areia de sílex.
- ? Verifiquemos uma saída excessiva de bolhas de ar pela abertura de retorno.
- ? Verifiquemos que o limpador de fundos (não fornecido) não aspira, estando a areia de sílex limpa após uma lavagem.
- ? Verifiquemos que o manómetro está na posição 0 bar.

### 5.1.2 Como purgar o filtro?

- ? Verifique se a mangueira de aspiração está ligada ao skimmer e com a passagem aberta (sem a tampa).
- ? Desligue o filtro da tomada.
- ? Com a válvula na posição de filtração (filter), desaperte um pouco a porca de purga, situada ao lado do manómetro, para deixar sair o ar acumulado dentro do filtro. Se o manómetro não tiver sido montado, coloque a válvula na posição WASTE.
- ? Quando observar que só sai água (após 1 ou 2 minutos), feche a porca de purga.
- ? Ligue o filtro à tomada e verifique se o ruído de queda da água desapareceu. De contrário, repita a operação.

## 5.2 Filtração

### NÃO MANIPULE NUNCA A VÁLVULA COM O MOTOR EM FUNCIONAMENTO

Previamente à filtração inicial, efectue uma lavagem da areia. (Ponto 5.3)

A válvula deve estar na posição de filtração (filter). A vida útil do filtro pode ser prolongada com períodos de funcionamento contínuos não superiores a 4h. A necessidade de filtração diária é determinada pelo volume de m<sup>3</sup> de água da piscina em relação aos m<sup>3</sup>/h do caudal do filtro, para uma temperatura da água de aproximadamente 21 °C e com o filtro montado a 3,5 m da piscina. Deixe o motor descansar no mínimo 2h. entre cada período de funcionamento de 4 horas.

$$\frac{\text{Volume piscina em m}^3}{\text{Caudal filtro em m}^3/\text{h}} = \text{horas necessárias}$$

Exemplo:

$$\frac{42 \text{ m}^3}{5,5 \text{ m}^3/\text{h}} = 7,63 \text{ horas} \quad \text{2 ciclos de 4 horas com um ciclo intermédio de 2 horas de descanso}$$

No tratamento inicial de filtração, devem ser respeitados os períodos de descanso indicados. É recomendável aumentar o tempo de filtração quanto mais elevada for a temperatura da água da piscina.

## 5.3 Lavagem da areia

Com o processo de lavagem procedemos à limpeza da areia de sílex do interior do filtro. Este processo deve ser realizado regularmente, motivo pelo qual é importante estar atento aos diversos factores que determinam a sujidade da areia:

- ? Detecção de uma redução do caudal de retorno, uma vez comprovado que a bomba está bem purgada.
- ? Indicação de uma pressão excessiva no manómetro (agulha situada entre os sinais amarelo e vermelho, ou sobre o sinal vermelho).

### 5.3.1 Para a lavagem da areia, deveremos proceder da seguinte forma:

- ? Desligue o filtro da tomada. Não mova nunca a válvula selectora com o motor em funcionamento.
- ? Pressione com força o comando superior da válvula até desencaiar o nervo dianteiro do seu alojamento, de modo a que ele possa rodar sobre si mesmo.
- ? Rode suavemente o comando até alinhar o nervo dianteiro com o alojamento da operação de lavagem (backwash).
- ? Ligue a mangueira ø 38 mm x 1,5 m com a manga de 1 ½ " à saída de esvaziamento (waste) da válvula e dirija a outra extremidade da mangueira a um desaguadouro ou esgoto nos modelos AR140- AR140E e AR140L. Ligue a mangueira ø 38 mm x 1,5 m directamente à espiga da válvula de esgoto (waste) da válvula e dirija a outra extremidade da mangueira a um desaguadouro ou esgoto nos modelos AR135- AR135E e AR135L.
- ? Faça o filtro funcionar durante 2 min. aproximadamente, até que já não saiam impurezas com a água, o que pode ser observado através do visor transparente situado na parte lateral.
- ? Desligue o filtro.
- ? Coloque a válvula na posição de enxaguar (rinse) e ligue o filtro durante uns segundos.
- \* Desligue o filtro, coloque a válvula na posição desejada de filtração (filter) e retire a mangueira da posição de esvaziamento (waste), se desejar.

## 5.4 Esvaziamento da piscina

O filtro permite o esvaziamento quase total da piscina, uma vez terminada a temporada de banho. Para isso, deverá colocar a válvula selectora superior na posição de esvaziamento (waste), sem ligar ainda o filtro, ligar a mangueira ø 38 mm x 1,5 m à saída de esvaziamento (waste) da válvula e dirigir a outra extremidade da mangueira a um desaguadouro ou esgoto. De acordo com o modelo de skimmer, proceda da seguinte forma:

#### 5.4.1 No modelo AR-135, AR-135L , AR-140, AR-140L

##### (com skimmer de parede para Piscinas Dream Pool e Piscinas Jet Pool):

- ? Retire a cesta interior do skimmer e tampe a aspiração com a tampa fornecida para esse fim.
- ? Desligue a mangueira de aspiração da tomada do skimmer, desapertando a braçadeira que a prende e, segurando a mangueira para que não perda água, mergulhe-a imediatamente na piscina para que não possa entrar ar.
- ? Lastre a extremidade desta mangueira com um objecto pesado que não possa danificar o liner, para forçar a sua imersão até ao fundo da piscina.
- ? Ligue a bomba e proceda ao esvaziamento da piscina. Lembre-se de que o filtro não esvaziará a piscina totalmente, quando restem alguns cm. de água e a bomba já não aspirar água, deverá desligá-la.
- ? Uma vez ligada a bomba para esvaziar a piscina, não interrompa o processo já que isso permitirá a entrada de ar
- ? Se quiser encher novamente a piscina de água, retire primeiro a água restante manualmente sem danificar o liner.
- ? Se quiser desmontar a piscina pode dobrar o liner com a água restante no centro
- ? Retire a chapa no modelo DREAM POOL ou os tubos no modelo JET POOL
- ? Abra o liner para a esvaziar completamente.
- ? Esta operação somente deve ser efectuada para desmontar a piscina.

#### 5.4.2 No modelo AR-135E , AR-140E.

##### (com skimmer autoportante para Piscinas Magic Pool):

Para além do desaguadouro que a piscina incorpora, poderá utilizar um dreno para esvaziá-la:

- ? Levante o skimmer autoportante até deixá-lo dependurado no lado exterior da piscina, para evitar que a água entre nele.
- ? Desligue a mangueira de aspiração da tomada do skimmer pela parte exterior da parede da piscina, desapertando a braçadeira que a prende com cuidado para não danificar o liner e, segurando a mangueira para que não perda água, mergulhe-a imediatamente na piscina para evitar que entre ar.
- ? Lastre a extremidade desta mangueira com um objecto pesado que não possa danificar o liner, para forçar a sua imersão até ao fundo da piscina.
- ? Ligue a bomba e proceda ao esvaziamento da piscina. Lembre-se de que o filtro não esvaziará a piscina totalmente, quando a bomba já não aspirar água, deverá desligá-la.
- ? Uma vez ligada a bomba para esvaziar a piscina, não interrompa o processo já que isso permitirá a entrada de ar
- ? Se quiser encher novamente a piscina de água, escoe a água restante num desaguadouro sem danificar a piscina.

**EVITE QUE A MANGUEIRA ASPIRE O FUNDO DO LINER DA PISCINA, POIS PODERIA PREJUDICAR SERIAMENTE A BOMBA AO FUNCIONAR SEM CIRCULAÇÃO DE ÁGUA OU O LINER POR SUÇÃO**

#### 5.5 Limpeza do fundo da piscina

Para a limpeza do fundo da piscina, pode utilizar a bomba do filtro com um dos seguintes acessórios:

Limpador de fundos "Rifón" / **AR-206**, Limpador de fundos "Oval" / **AR-207** (também precisará utilizar a mangueira de ø38 mm / **AR-210** e a vara / **AR-102**). Consulte o seu estabelecimento ou o Serviço de Pós-venda do fabricante da piscina para a sua aquisição. Utilize sempre reposições originais.

Uma mangueira com um comprimento superior ao necessário para chegar a todos os pontos da piscina dificulta a operação. Recorte o pedaço de mangueira que sobrar. Assegure-se de que os terminais de borracha não perdem a estanqueidade.

##### 5.5.1 Purga da mangueira do limpador de fundos:

Introduza com cuidado o limpador de fundos no interior da piscina com a vara e a mangueira ligada, verticalmente, deixando que ela se encha de água e mantenha o resto da mangueira fora da água. Introduza a mangueira na água devagar, por partes de 50 cm que devem ficar submergidas ao mesmo tempo que se encham completamente de água, até que toda a mangueira fique cheia de água e submergida. Se a mangueira não estiver totalmente purgada, o limpador de fundos não aspirará e poderemos danificar o dreno fazendo-o trabalhar no vazio.

##### 5.5.2 No modelo AR-135, AR-135L , AR-140, AR-140L

##### (com skimmer de parede para Piscinas Dream Pool e Piscinas Jet Pool ):

Coloque no interior do skimmer o acessório tampa aspiração com a tomada virada para cima, sem retirar a cesta.

Purgue a mangueira.

Passe, desde o INTERIOR da PISCINA, a extremidade da mangueira pela comporta do skimmer e tendo o cuidado para que não entre ar nela, ligue-a à abertura da tampa aspiração, segurando-a obliquamente para facilitar a união. Coloque-a horizontalmente introduzindo mais a mangueira. Atenção para não danificar a comporta do skimmer nesta operação.

O nível de água do skimmer deve estar no máximo e por cima da união entre a tampa e a mangueira, para evitar a entrada de ar.

Ligue bomba na posição de filtração (filter) e proceda à limpeza do fundo da piscina.



### **5.5.3 No modelo AR-135E, AR-135ES, AR-135EUK, AR-140E, AR-140ES, AR-140EUK (com skimmer autoportante para Piscinas Magic Pool):**

Retire o anel superior flutuante do skimmer e, sem retirar a cesta pré-filtro, coloque na parte superior do skimmer o acessório tampa aspiração com a abertura virada para cima e mergulhe o skimmer no interior da piscina o suficiente para que a tampa aspiração não receba ar.

Purgue a mangueira.

Tendo o cuidado para que não entre ar na mangueira, ligue-a à abertura da tampa de aspiração. A união da mangueira e da tampa deve ficar sempre submersa para evitar a entrada de ar.

Ligue a bomba e proceda à limpeza do fundo da piscina.

### **5.6 Enxaguar**

Depois de efectuar uma "LAVAGEM" do filtro e colocar a instalação na posição de "FILTRAÇÃO", a água chega à piscina durante uns segundos com um aspecto turvo. Para evitar que esta água turva retorne à piscina coloque a válvula selectora na posição "ENXAGUAR", operando da seguinte forma: Imediatamente após a "LAVAGEM", desligue a bomba, situe a válvula na posição "ENXAGUAR" e ligue a bomba durante 1 minuto; seguidamente, desligue a bomba e situe a válvula em "FILTRAÇÃO".

### **5.7 Fecho**

A posição de fechado da válvula selectora (CLOSED) é utilizada para evitar a circulação da água através das mangueiras e do filtro.

### **5.8 Recirculação**

Nesta posição, a válvula selectora efectua a passagem de água procedente da bomba directamente à piscina, sem passar por dentro do filtro.

## **6 SUBSTITUIÇÃO DO CABO**

Em caso de deterioração do cabo proceda do seguinte modo:

- ? Desligue o aparelho da tomada.
- ? Desaperte os parafusos que prendem a tampa da caixa de ligação e levante-a (Fig. 11 / 17).
- ? Desligue os terminais da caixa de ligação da bomba, prestando atenção à sua posição.
- ? Retire o cabo e, para substituí-lo, proceda do modo inverso ao descrito.

## **7 MANUTENÇÃO**

Uma vez finalizada a temporada de banho, dever-se-á guardar o filtro num lugar seco e protegido da intempérie. Por esse motivo e após efectuar uma auto-lavagem final para limpar a areia de sílex, desmonte as mangueiras e esvazie totalmente a água do filtro através da tampa de esvaziamento do depósito.

Uma vez escoada toda a água do filtro, limpe cuidadosamente os resíduos de areia de sílex da rosca antes de colocar novamente a tampa, já que a rosca poderia ser danificada.

A tampa de esvaziamento do depósito do filtro somente deve ser usada nesta operação.

**MUITO IMPORTANTE:** Antes de colocar o filtro em funcionamento após um longo período sem actividade, assegure-se de que o eixo do motor não esteja gripado, movendo-o com uma chave de parafuso plana, pela extremidade que aparece através da tampa de ventilação, após a bobinagem do motor, até que o eixo seja libertado e rode para a direita e para a esquerda.

É conveniente assegurar-se, também, de que o filtro esteja purgado antes de um arranque após uma paragem longa.

### **7.1 Cuidados da bomba**

A bomba do filtro está preparada para funcionar sem nenhum tipo de manutenção específico. Entretanto, a utilização do aparelho em piscinas com um alto índice de sujidade, especialmente folhas, pode provocar a obstrução do eixo da bomba. Nesse caso proceda do seguinte modo:

- ? Desligue o aparelho da tomada.
- ? Coloque a válvula na posição fechado (closed).
- ? Coloque a tampa de fecho do skimmer.
- ? Desligue a mangueira de aspiração e a mangueira de impulsão da bomba.
- ? Desaperte os parafusos que prendem a tampa do corpo da bomba.
- ? Limpe o rotor. Se estiver danificado, consulte o fabricante da piscina para a respectiva substituição.
- ? Monte a tampa da bomba novamente, assegurando-se de que a junta fique bem centrada e bem apertada.
- ? Monte novamente a mangueira de aspiração e a mangueira de impulsão da bomba.
- ? Retire a tampa de fecho do skimmer.

### **7.2 Solução de avarias e serviço técnico.**

Este filtro e as suas instruções foram especialmente desenhados para uma utilização familiar, sem necessidade de intervenção profissional, salvo em casos especiais. Apresentamos abaixo os problemas e as causas que podem surgir com a passagem do tempo de vida útil do filtro e que você poderá solucionar. Em caso de não poder solucionar o problema, contacte com o fabricante da piscina no telefone e no horário indicado nas instruções.

PROBLEMA	CAUSA	SOLUÇÃO
O filtro goteja pelos terminais das mangueiras	Ligação incorrecta dos terminais com as mangueiras	Coloque teflon nos alojamentos com rosca e introduza os terminais das mangueiras até ao fundo e aperte as braçadeiras
Uma vez ligado o filtro, no há caudal na abertura de retorno	A válvula não está na posição de filtração (filter)	Desligue o filtro e situe a válvula na posição correcta
	O filtro está acima do nível da água com ar acumulado	Situe o filtro numa posição correcta e purgue-o
	A bomba está obstruída e necessita ser desmontada	Ver ponto 7.1
Funcionamento intermitente	A tampa de aspiração ou a tampa do skimmer está colocada	Retire a tampa de aspiração ou a tampa do skimmer
	Nível da água baixo no skimmer Filtro com ar	Encha a piscina e purgue o filtro Proceda à purga do filtro
O filtro proporciona pouco caudal	O filtro está sujo devido ao uso	Efectue uma auto-lavagem
	Filtro com ar	Proceda à purga do filtro
Sai água pela boca do filtro	A zona de união entre a válvula e o filtro está suja	Limpe a areia da boca, coloque correctamente a junta na válvula e aperte o anel com força
	O anel está frouxo	
A válvula do filtro goteja pelo terminal de esvaziamento (WASTE)	Junta interior danificada pelo uso incorrecto do produto químico	Substitua a tampa superior da válvula Não coloque o produto químico na cesta pré-filtro do skimmer
	Válvula cabeçote danificada pelo uso incorrecto (aperto excessivo)	Substitua a válvula cabeçote, não aperte excessivamente
O motor não arranca. Não faz nenhum ruído ou vibração	Falta corrente na linha eléctrica.	Verifique se há corrente na linha eléctrica
	Terminais frouxos no motor.	Abra o motor (ponto 6) e revise os terminais do motor
O motor não arranca porém ouve-se um zumbido	Eixo gripado após uma paragem prolongada	Ver ponto 7
	Condensador fundido	Pode ser adquirido num estabelecimento de material eléctrico (reposição em garantia do aparelho)
	Motor fundido	Contacte com o serviço de pós-venda do fabricante da piscina
Perda de água	Verifique a causa da perda de água	Revise as braçadeiras das mangueiras
		Se perde água entre a bomba e o motor, contacte com o serviço de pós-venda do fabricante da piscina

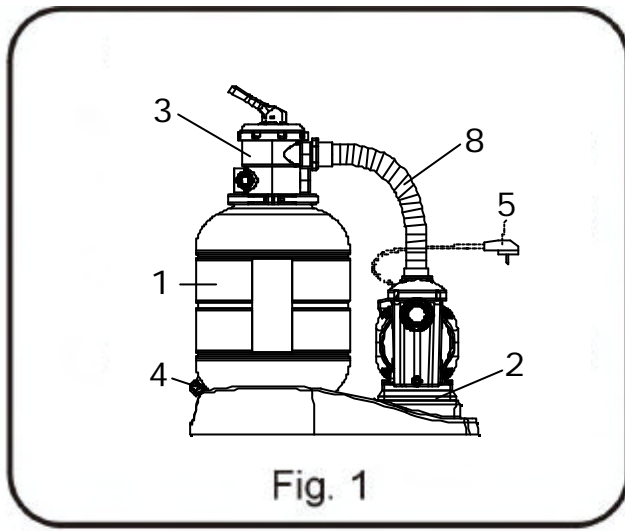


Fig. 1

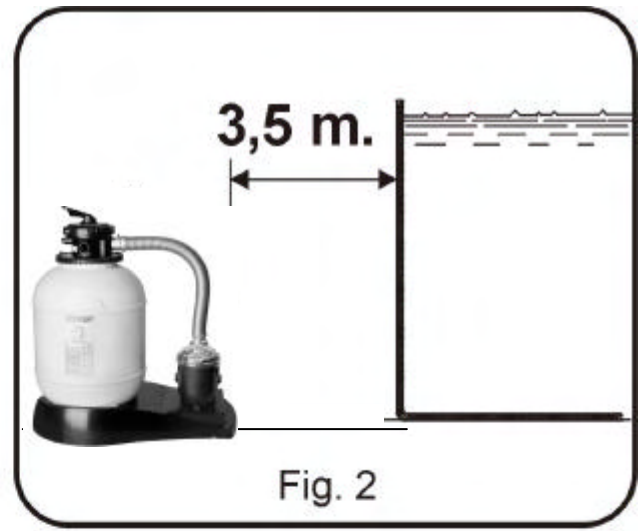


Fig. 2

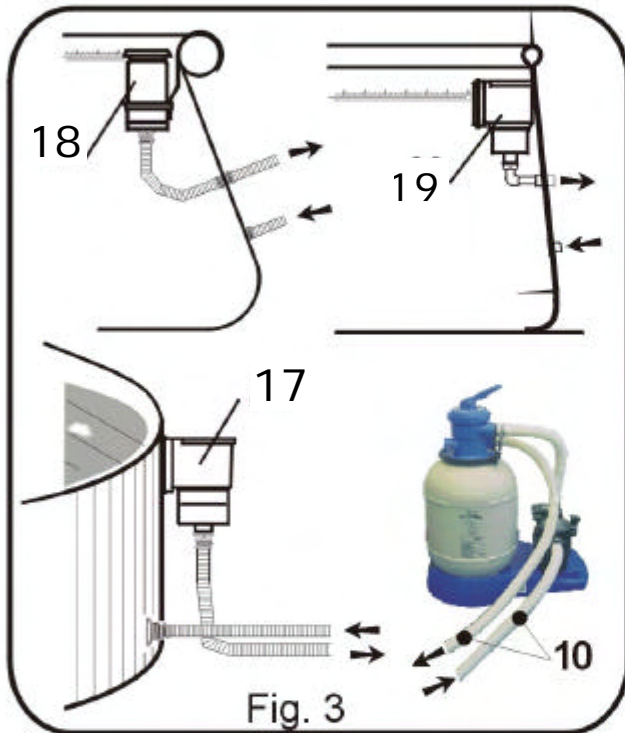


Fig. 3

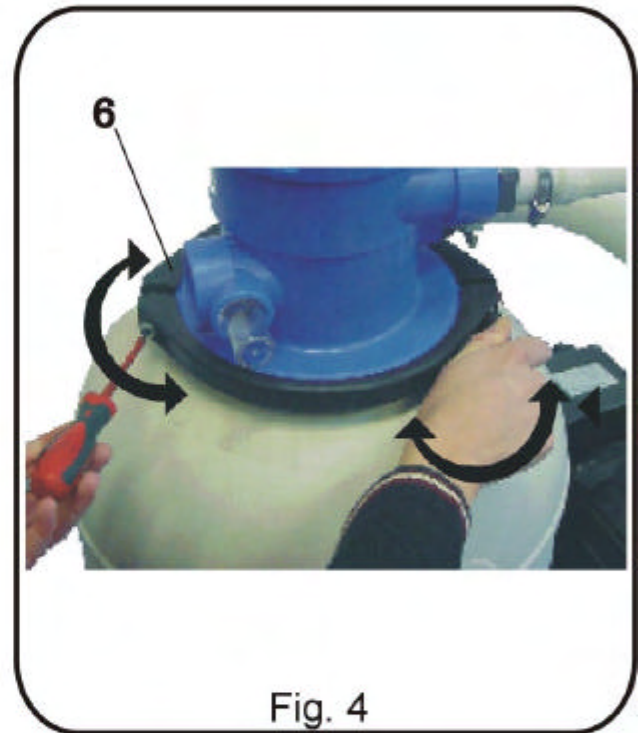


Fig. 4

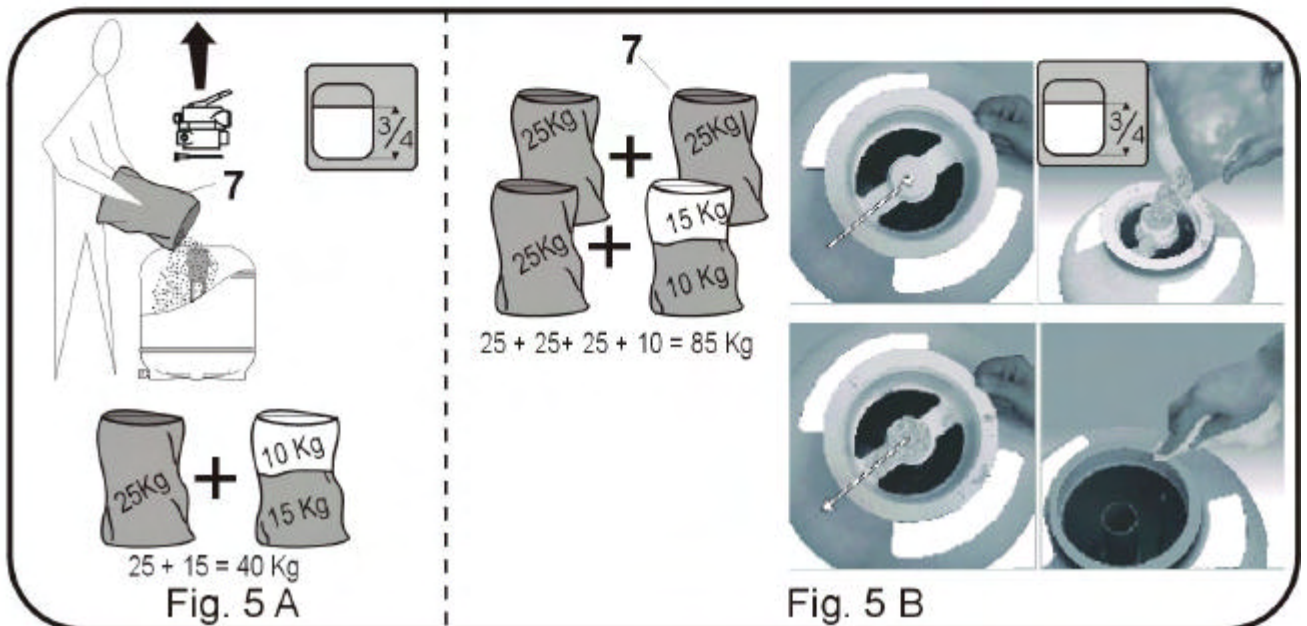


Fig. 5 A

Fig. 5 B

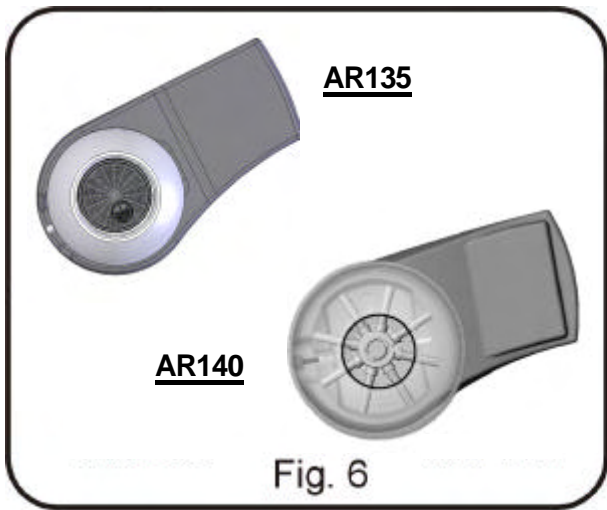


Fig. 6

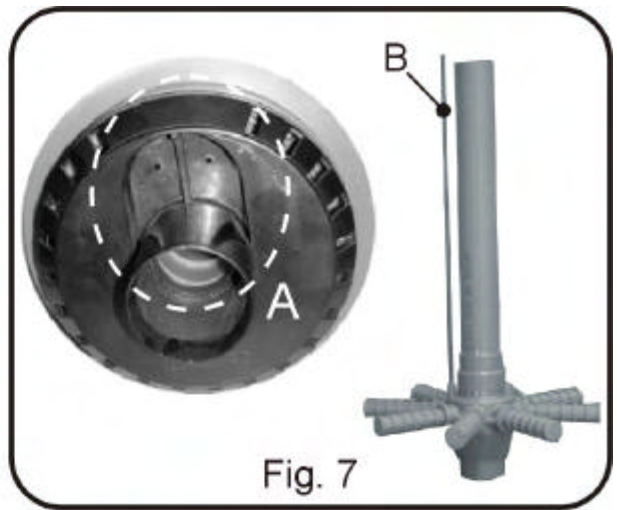


Fig. 7

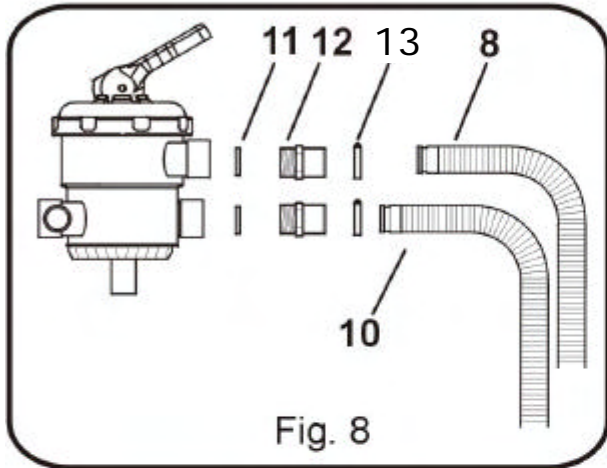


Fig. 8

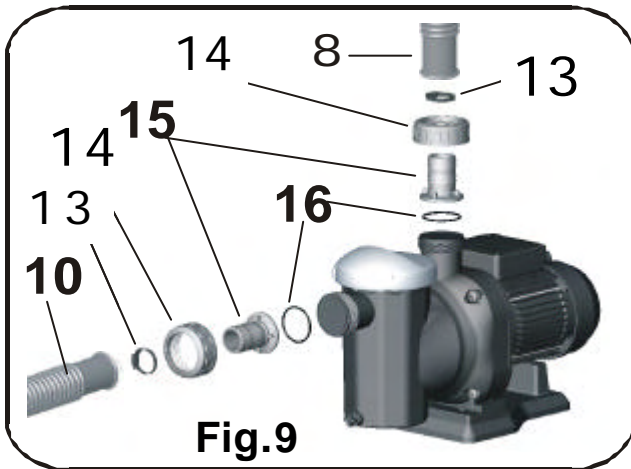


Fig. 9

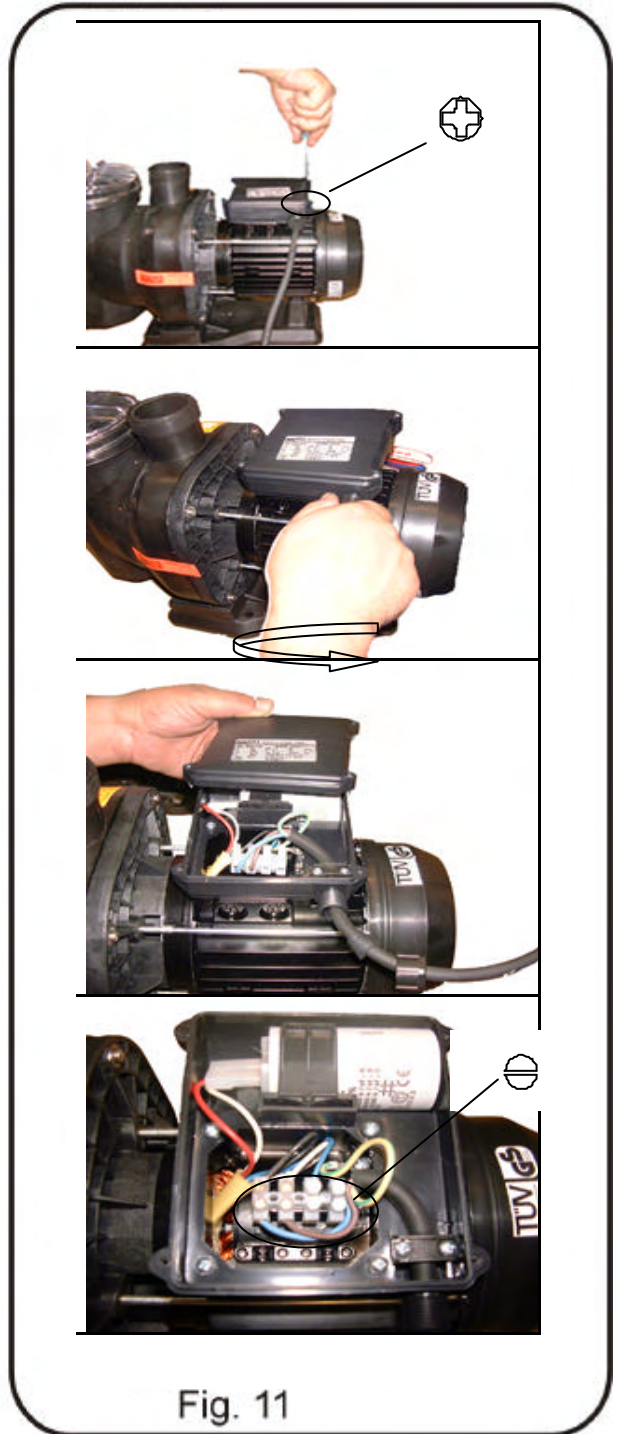


Fig. 11



Fig. 10

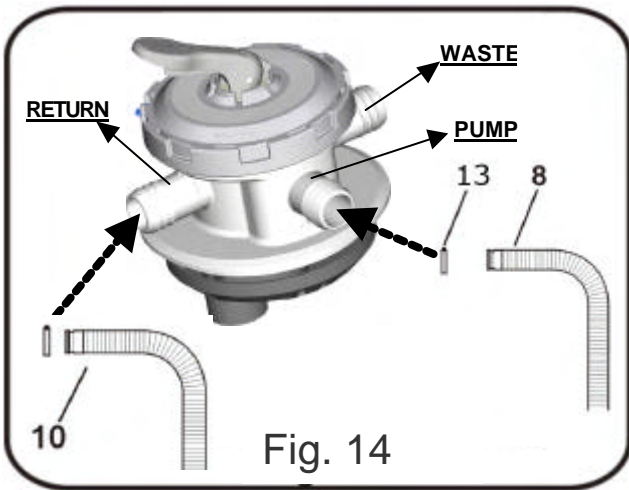


Fig. 14

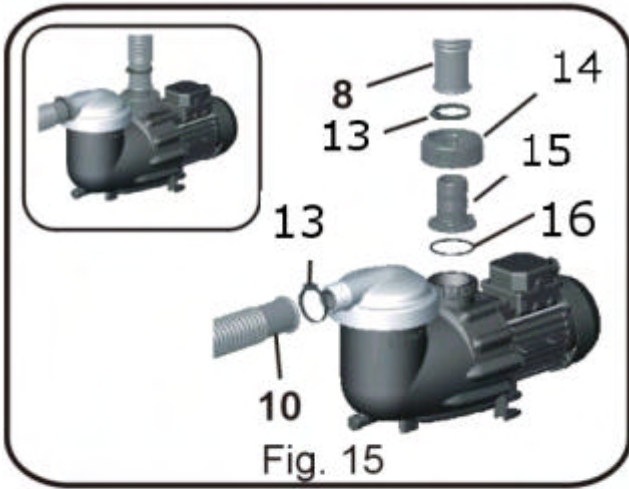


Fig. 15



Fig. 16

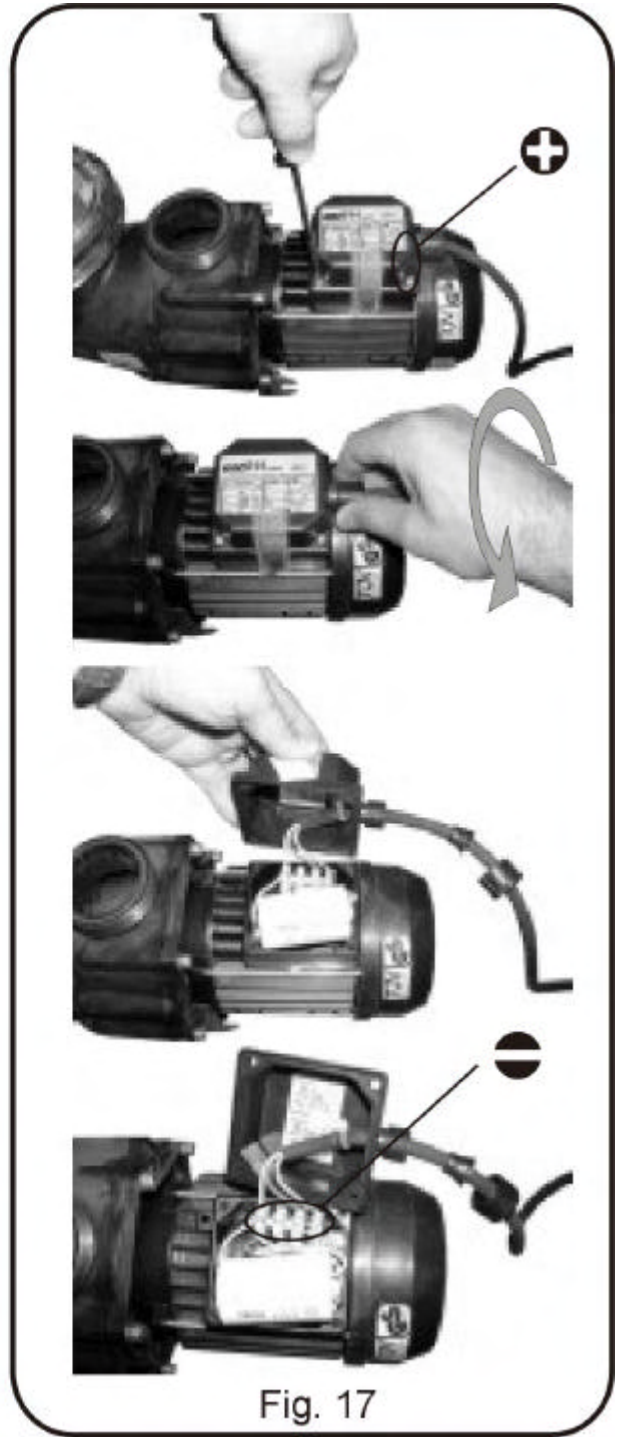
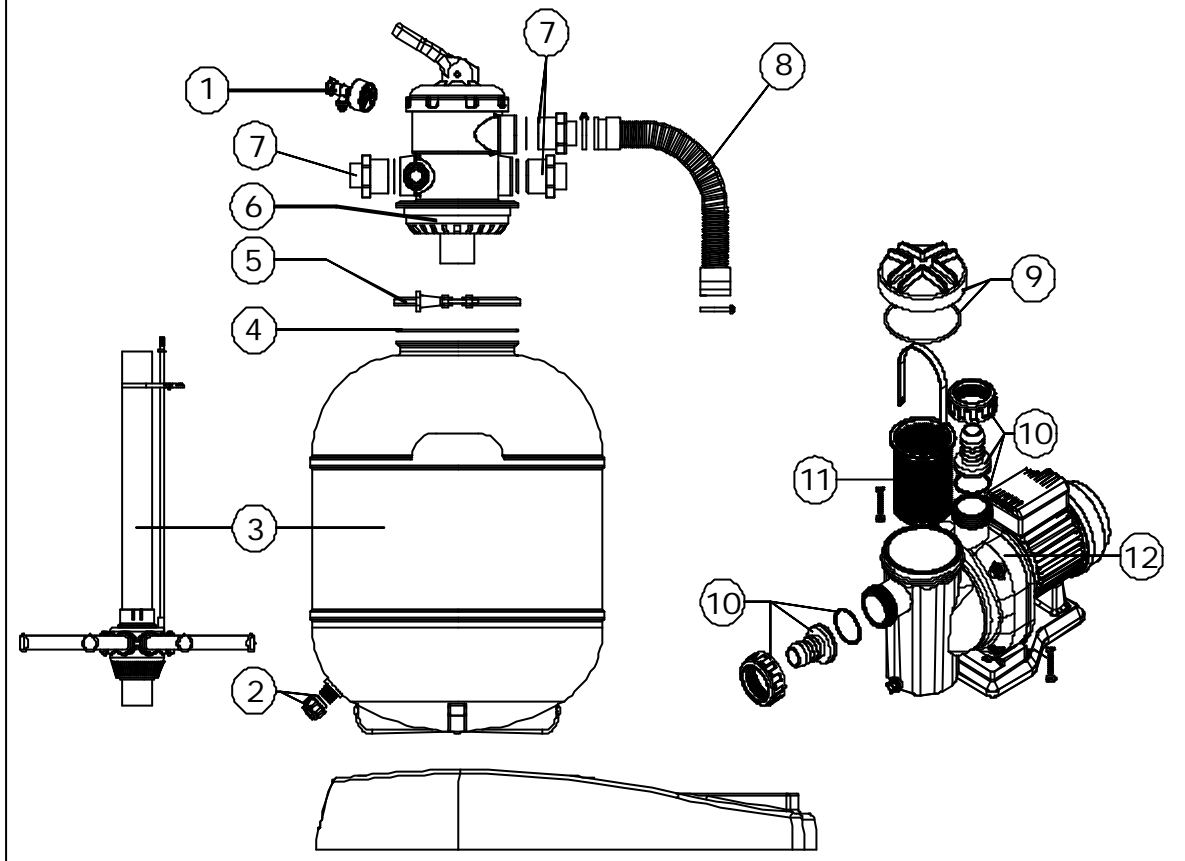


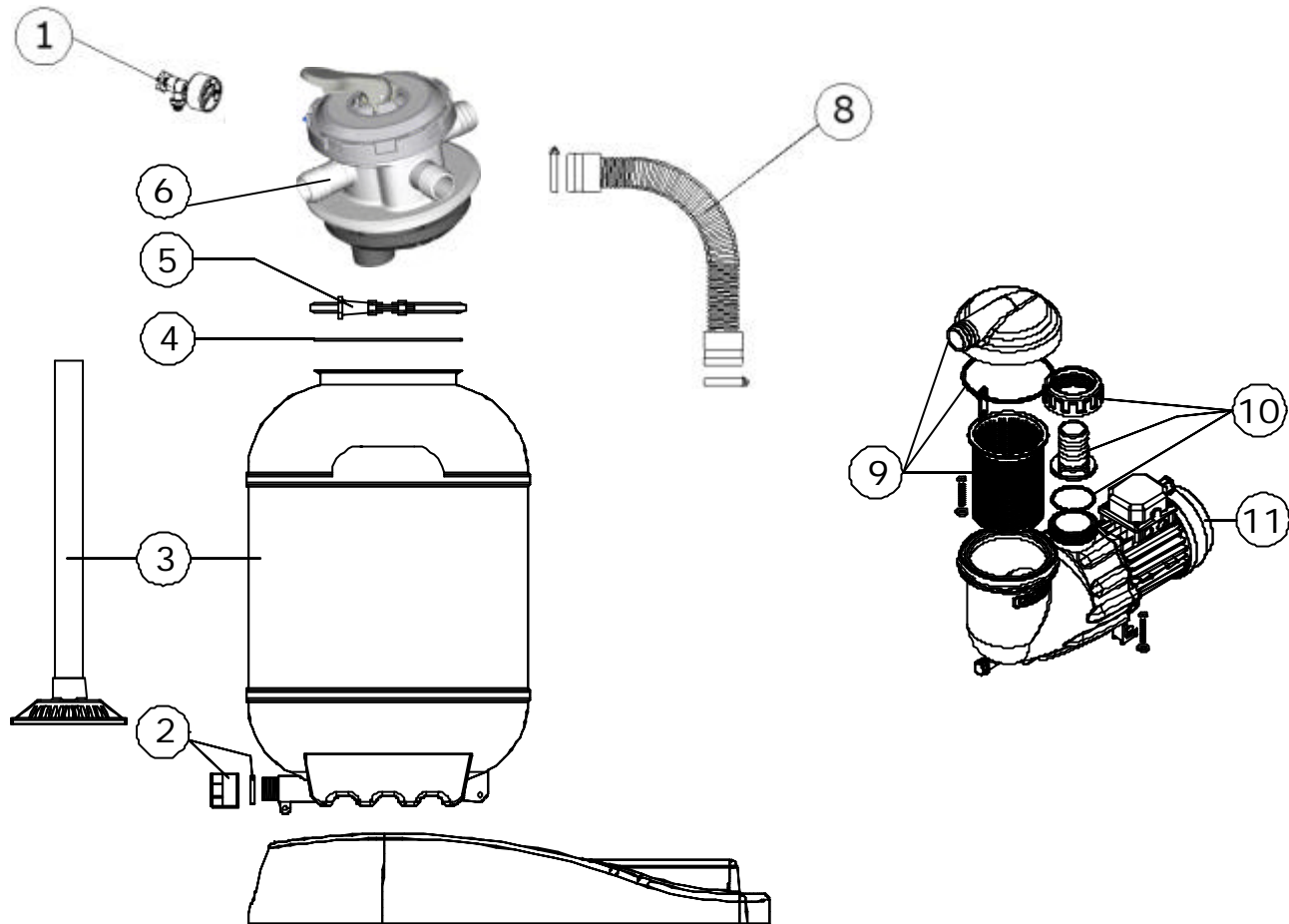
Fig. 17

## MONOBLOC CON BOMBA SENNA



Referencia	DENOMINATION	DENOMINACIÓN	DESIGNATION	BESCHREIBUNG	DENOMINAZIONE	OMSCHRIJVING	DESCRIÇÃO	
					E			
1	09091R1000	Pressurer gauge set	Cito. Manometro	Ensemble manomètre				
2	157800602G	Sand purge + sand pugue seal	Tapón purga + junta plana	Bouchon de purge + Joint du couvercle de purge	Entlüftungsdeckel + Dichtung	Tappo di spurgo + O-ring spurgo	Reinigingsplug + Pakking	Tapão purga + Junta tampão purga
3	241850100G	Filter body ø480 + Collector head	Cuerpo filtro Ø480 + cabezal colector	Filtre ø480 + Collecteur filtre	Filterkörper ø480 + Filterkopf	Corpo filtro ø480 + Collettore filtro	Filterhuis ø480 + Collector filter	Filtro ø480 + Colector filtro
4	720R1750057	O-ring cover	Junta tapa	Joint torique couvercle	O-Ring des Deckels	O-ring copertura	O-ring deksel	O-ring tampa
5	241821003G	Filter ring	Zuncho	Collier de fixation	Filterspanning	Ghiera filtro	Spanring filter	Braçadeira filtro
6	26161G	1-1/2" Top valve	Válvula top 1-1/2"	Vanne top 1-1/2"	1-1/2" Ventil top	Valvola top 1-1/2"	Ventiel top 1-1/2"	Válvula top 1-1/2"
7	09636	Return butt	Manguito	Raccord	Aussto	Raccord	Mof	União
8	09089R0002	Connection hose	Manguera conexión	Tuyau de connexion	Verbindungs-schlauch	Manicotto di collegamento	Aansluitlang	Manguera ligação
9	2546311941G	Bacap prefilter cover + O'ring 118x4mm.	Tapa prefiltro Bacap + junta tórica	Couvercle préfiltre Bacap + Joint torique 118x4mm.	Vorfilterdeckel Bacap + Dichtungsring 118x4mm.	Coperchio prefilto Bacap + Dichtungsring 118x4mm.	Coperchio prefilto Bacap + Dichtungsring 118x4mm.	Tampa pré-filtro Bacap + Dichtungsring 118x4mm.
10	25470G0102	Union nut + Union Ø38mm. + O'ring 54x2.5mm.	Tuerca manguito gris + macho unión Ø38 mm. + junta tórica	Écrou raccordsunion gris + Machón union tuyau Ø38mm. + Joint torique 54x2.5mm.	Verbindungsschrauben + Schlauchverbindung Ø38mm. + Dichtungsring 54x2.5mm.	Vite manicotto + Pilone unione tubo Ø38mm. + Guarnizione tórica 54x2.5mm.	Vite manicotto + Pilone unione tubo Ø38mm. + Guarnizione tórica 54x2.5mm.	Porca cachimbo + Macho união mangueira Ø Junta tórica 54x2.5mm.38mm. +
11	25470G0205	Bacap basket	Cesto	Panier Bacap	Vorfilterkorb Bacap	Cesto Bacap		Cesto Bacap
12	254631194G	Senna ¾ cv	Senna ¾ cv	Senna ¾ cv	Senna ¾ cv	Senna ¾ cv	Senna ¾ cv	Senna ¾ cv

# MONOBLOC CON BOMBA COMPACT



	REFERENCIA	DENOMINATION	DENOMINACIÓN	DESIGNATION	BESCHREIBUNG	DENOMINAZIONE	OMSCHRIJVING	DESCRIÇÃO
1	09091R1000	Pressure gauge set	Conjunto manómetro	Ensemble manomètre				
2 A	19460R0003G	Sand purgue + sand puge seal	Tapón purga 3/4" + junta plana (V.anterior 2004)	Bouchon de purge + Joint du couvercle de purge	Entlüftungsdeckel + Dichtung	Tappo di spurgo + O-ring spurgo	Reinigingsplug + Pakking	Tapão purga + Junta tampão purga
2 B	157800602G	Sand purgue + sand puge seal	Tapón purga 3/4" + junta plana (V.posterior 2004)	Bouchon de purge + Joint du couvercle de purge	Entlüftungsdeckel + Dichtung	Tappo di spurgo + O-ring spurgo	Reinigingsplug + Pakking	Tapão purga + Junta tampão purga
3	19460R0002G	Filter body ø380 + Collector head	Cuerpo filtro Ø380 + cabezal colector	Filtre ø380 + Collecteur filtre	Filterkörper ø380 + Filterkopf	Corpo filtro ø380 + Collettore filtro	Filterhuis ø380 + Collector filter	Filtro ø380 + Colector filtro
4	720R1750057	O-ring cover	Junta tapa	Joint torique couvercle	O-Ring des Deckels	O-ring copertura	O-ring deksel	O-ring tampa
5	241821003G	Filter ring	Zuncho	Collier de fixation	Filterspanning	Ghiera filtro	Spanring filter	Braçadeira filtro
6	34539G	1-1/2" Top valve	Válvula top 1-1/2"	Vanne top 1-1/2"	1-1/2" Ventil top	Valvola top 1-1/2"	Ventiel top 1-1/2"	Válvula top 1-1/2"
8	09089R0002	Connection hose	Manguera conexión	Tuyau de connexion	Verbindungs-schlauch	Manicotto di collegamento	Aansluitslang	Manguera ligação
9	25470G1000	Bacap prefilter cover + O'ring 118x4mm.+ Bacap basket	Tapa prefiltro Bacap + junta tórica + Cesto Bacap	Couvercle préfiltre Bacap + Joint torique 118x4mm.+ Panier Bacap	Vorfilterdeckel Bacap + Dichtungsring 118x4mm. + Vorfilterkorb Bacap	Coperchio prefiltro Bacap + Dichtungsring 118x4mm.+ Cesto Bacap	Coperchio prefiltro Bacap + Dichtungsring 118x4mm.+ Cesto Bacap	Tampa pré-filtro Bacap + Dichtungsring 118x4mm.+ Cesto Bacap
10	25470G0102	Union nut + Union Ø38mm. + O'ring 54x2.5mm.	Tuerca manguito gris + macho unión Ø38 mm. + junta tórica	Écrou raccordsunion gris + Machón union tuyau Ø38mm. + Joint torique 54x2.5mm.	Verbindungsschrauben + Schlauchverbindung Ø38mm. + Dichtungsring 54x2.5mm.	Vite manicotto + Pilone unione tubo Ø38mm. + Guarnizione torique 54x2.5mm.	Vite manicotto + Pílocone unione tubo Ø38mm. + Guarnizione tórica 54x2.5mm.	Porca cachimbo + Macho união mangueira Ø Junta tórica 54x2.5mm.38mm. +
11	25470G	0.4 CV Compact	Bomba 0.4 cv	Pompe 0.4 CV	Pumpe 0.4 CV	Pompa 0.4 CV	Pomp 0.4CV	Bomba 0.4 CV

## GUARANTEE CERTIFICATE

### 1 GENERAL TERMS

- 1.1 In accordance with these provisions, the seller guarantees that the **GRE** product corresponding to this guarantee ("the Product") is in perfect condition at the time of delivery.
- 1.2 The Guarantee Term for the Product is two (2) years from the time it is delivered to the purchaser.
- 1.3 In the event of any defect in the Product that is notified by the purchaser to the seller during the Guarantee Term, the seller will be obliged to repair or replace the Product, at his own cost and wherever he deems suitable, unless this is impossible or unreasonable.
- 1.4 If it is not possible to repair or replace the Product, the purchaser may ask for a proportional reduction in the price or, if the defect is sufficiently significant, the termination of the sales contract.
- 1.5 The replaced or repaired parts under this guarantee, will not extend the guarantee period of the original Product, but will have a separate guarantee.
- 1.6 In order for this guarantee to come into effect, the purchaser must provide proof of the date of purchase and delivery of the Product.
- 1.7 If, after six months from the delivery of the Product to the purchaser, he notifies a defect in the Product, the purchaser must provide proof of the origin and existence of the alleged defect.
- 1.8 This Guarantee Certificate is issued without prejudice to the rights corresponding to consumers under national regulations.

### 2 INDIVIDUAL TERMS

- 2.1 This guarantee covers the products referred to in this manual.
- 2.2 This Guarantee Certificate will only be applicable in European Union countries.
- 2.3 For this guarantee to be effective, the purchaser must strictly follow the Manufacturer's instructions included in the documentation provided with the Product, in cases where it is applicable according to the range and model of the Product.
- 2.4 When a time schedule is specified for the replacement, maintenance or cleaning of certain parts or components of the Product, the guarantee will only be valid if this time schedule has been followed.

### 3 LIMITATIONS

- 3.1 This guarantee will only be applicable to sales made to consumers, understanding by "consumer", a person who purchases the Product for purposes not related to his professional activities.
- 3.2 The normal wear resulting from using the product is not guaranteed. With respect to expendable or consumable parts, components and/or materials, such as batteries, light bulbs, etc. the stipulations in the documentation provided with the Product, will apply.
- 3.3 The guarantee does not cover those cases when the Product; (I) has been handled incorrectly; (II) has been repaired, serviced or handled by non-authorised people or (III) has been repaired or serviced not using original parts.  
In cases where the defect of the Product is a result of incorrect installation or start-up, this guarantee will only apply when said installation or start-up is included in the sales contract of the Product and has been conducted by the seller or under his responsibility.

## CERTIFICADO DE GARANTÍA

### 1 ASPECTOS GENERALES

- 1.1 De acuerdo con estas disposiciones, el vendedor garantiza que el producto **GRE** correspondiente a esta garantía ("el Producto") no presenta ninguna falta de conformidad en el momento de su entrega.
- 1.2 El Periodo de Garantía para el Producto es de dos (2) años y se calculará desde el momento de su entrega al comprador.
- 1.3 Si se produjera una falta de conformidad del Producto y el comprador lo notificase al vendedor durante el Periodo de Garantía, el vendedor deberá reparar o sustituir el Producto a su propio coste en el lugar donde considere oportuno, salvo que ello sea imposible o desproporcionado.
- 1.4 Cuando no se pueda reparar o sustituir el Producto, el comprador podrá solicitar una reducción proporcional del precio o, si la falta de conformidad es suficientemente importante, la resolución del contrato de venta.
- 1.5 Las partes sustituidas o reparadas en virtud de esta garantía no ampliarán el plazo de la garantía del Producto original, si bien dispondrán de su propia garantía.
- 1.6 Para la efectividad de la presente garantía, el comprador deberá acreditar la fecha de adquisición y entrega del Producto.
- 1.7 Cuando hayan transcurrido más de seis meses desde la entrega del Producto al comprador y éste alegue falta de conformidad de aquél, el comprador deberá acreditar el origen y la existencia del defecto alegado.
- 1.8 El presente Certificado de Garantía no limita o prejuzga los derechos que correspondan a los consumidores en virtud de normas nacionales de carácter imperativo.

### 2 CONDICIONES PARTICULARES

- 2.1 La presente garantía cubre los productos a que hace referencia este manual.
- 2.2 El presente Certificado de Garantía será de aplicación únicamente en los países de la Unión Europea.
- 2.3 Para la eficacia de esta garantía, el comprador deberá seguir estrictamente las indicaciones del Fabricante incluidas en la documentación que acompaña al Producto, cuando ésta resulte aplicable según la gama y modelo del Producto.
- 2.4 Cuando se especifique un calendario para la sustitución, mantenimiento o limpieza de ciertas piezas o componentes del Producto, la garantía sólo será válida cuando se haya seguido dicho calendario correctamente.

### 3 LIMITACIONES

- 3.1 La presente garantía únicamente será de aplicación en aquellas ventas realizadas a consumidores, entendiéndose por "consumidor", aquella persona que adquiere el Producto con fines que no entran en el ámbito de su actividad profesional.
- 3.2 No se otorga ninguna garantía respecto del normal desgaste por uso del producto. En relación con las piezas, componentes y/o materiales fungibles o consumibles como pilas, bombillas etc., se estará a lo dispuesto en la documentación que acompaña al Producto, en su caso.
- 3.3 La garantía no cubre aquellos casos en que el Producto: (I) haya sido objeto de un trato incorrecto; (II) haya sido reparado, mantenido o manipulado por persona no autorizada o (III) haya sido reparado o mantenido con piezas no originales.  
Cuando la falta de conformidad del Producto sea consecuencia de una incorrecta instalación o puesta en marcha, la presente garantía sólo responderá cuando dicha instalación o puesta en marcha esté incluida en el contrato de compra-venta del Producto y haya sido realizada por el vendedor o bajo su responsabilidad.

## CERTIFICAT DE GARANTIE

### 1 ASPECTS GÉNÉRAUX

- 1.1 Conformément à ces dispositions, le vendeur garantit que le produit **GRE** correspondant à cette garantie ("le Produit") ne présente aucun défaut de conformité à la date de sa livraison.
- 1.2 La Période de Garantie pour le Produit est de deux (2) ans et elle sera calculée à partir du moment de sa remise à l'acheteur.
- 1.3 S'il se produisait un défaut de conformité du Produit et si l'acheteur le notifiât au vendeur pendant la Période de Garantie, le vendeur devrait réparer ou remplacer le Produit à ses propres frais à l'endroit qu'il jugerait opportun, à moins que cela soit impossible ou disproportionné.
- 1.4 Lorsque le Produit ne pourra être ni réparé ni remplacé, l'acheteur pourra demander une réduction proportionnelle du prix ou, si le défaut de conformité est suffisamment important, la résolution du contrat de vente.
- 1.5 Les parties remplacées ou réparées en vertu de cette garantie n'élargiront pas le délai de la garantie du Produit original, celles-ci étant cependant couvertes par leur propre garantie.
- 1.6 Pour l'effectivité de la présente garantie, l'acheteur devra justifier la date d'acquisition et de remise du Produit.
- 1.7 Quand plus de six mois se seront écoulés depuis la remise du Produit à l'acheteur et que ce dernier alléguera un défaut de conformité de ce Produit, l'acheteur devra justifier l'origine et l'existence du défaut allégué.
- 1.8 Le présent Certificat de Garantie ne limite pas, ni préjuge les droits correspondant aux consommateurs en vertu des normes nationales de nature impérative.

### 2 CONDITIONS PARTICULIÈRES

- 2.1 La présente garantie couvre les produits auxquels ce manuel fait référence.
- 2.2 Le présent Certificat de Garantie ne sera applicable que dans les pays de l'Union européenne.
- 2.3 En vue de l'efficacité de cette garantie, l'acheteur devra suivre strictement les indications du Fabricant comprises dans la documentation qui est jointe au Produit, quand celle-ci sera applicable selon la gamme et le modèle du Produit.
- 2.4 Quand un calendrier sera spécifié pour le remplacement, la maintenance ou le nettoyage de certaines pièces ou de certains composants du Produit, la garantie sera valable uniquement lorsque ledit calendrier aura été suivi correctement.

### 3 LIMITATIONS

- 3.1 La présente garantie ne sera applicable que dans les ventes réalisées aux consommateurs, considérant comme "consommateur", toute personne qui achète le Produit à des fins qui n'entrent pas dans le cadre de son activité professionnelle.
- 3.2 Aucune garantie n'est concédée quant à l'usure normale due à l'utilisation du produit. En ce qui concerne les pièces, composants et/ou matériels fongibles ou consommables comme les piles, les ampoules, etc., il faudra respecter, le cas échéant, ce qui est stipulé dans la documentation qui est jointe au Produit.
- 3.3 La garantie ne couvre pas les cas où le Produit: (I) a fait l'objet d'un traitement incorrect; (II) a été réparé, entretenu ou manipulé par une personne non autorisée ou (III) a été réparé ou entretenu avec des pièces n'étant pas d'origine.  
Quand le défaut de conformité du Produit sera la conséquence d'une installation ou d'une mise en marche incorrectes, la présente garantie répondra uniquement lorsque ladite installation ou ladite mise en marche sera incluse dans le contrat d'achat et de vente du Produit et aura été réalisée par le vendeur ou sous sa responsabilité.



## GARANTIEZERTIFIKAT

### 1 ALLGEMEINE GESICHTSPUNKTE

- 1.1 In Übereinstimmung mit diesen Verfügungen garantiert der Verkäufer, dass das Produkt GRE dieser Garantie ("das Produkt") entspricht und dass es im Moment der Übergabe in allen Punkten mit den Anforderungen übereinstimmt.
- 1.2 Der Garantiezeitraum für das Produkt beträgt zwei (2) Jahre und wird ab dem Augenblick der Lieferung an den Käufer gerechnet.
- 1.3 Falls ein Mangel am Produkt auftritt und der Käufer den Verkäufer innerhalb des Garantiezeitraums darüber unterrichtet, muss der Verkäufer das Produkt auf eigene Kosten dort reparieren oder ersetzen, wo es für ihn am günstigsten ist, es sei denn, dies ist unmöglich oder unverhältnismäßig.
- 1.4 Wenn das Produkt weder repariert noch ersetzt werden kann, kann der Käufer einen angemessenen Preisnachlass beantragen, oder, falls es sich um einen größeren Mangel handelt, die Auflösung des Kaufvertrages.
- 1.5 Die Teile, die aufgrund dieser Garantie ersetzt oder repariert werden, verlängern den Garantiezeitraum für das Originalprodukt nicht. Jedoch existiert für diese Teile eine eigene Garantie.
- 1.6 Um die vorliegende Garantie wirksam werden zu lassen, muss der Käufer das Kaufdatum und das Lieferdatum des Produktes belegen.
- 1.7 Nach Ablauf von sechs Monaten ab Lieferung des Produktes an den Käufer muss, im Falle eines Mangels, der Käufer den Ursprung und das Vorhandensein des angegebenen Mangels belegen.
- 1.8 Das vorliegende Garantiezertifikat schränkt die Rechte, die der Verbraucher aufgrund der herrschenden, nationalen Gesetzgebung hat, nicht ein.

### 2 SONDERBEDINGUNGEN

- 2.1 Die vorliegende Garantie gilt für die Produkte, auf die sich dieses Handbuch bezieht.
- 2.2 Das vorliegende Garantiezertifikat ist nur in den Ländern der Europäischen Gemeinschaft anwendbar.
- 2.3 Diese Garantie gilt nur, wenn der Käufer alle Anweisungen des Herstellers, die in der produktbegleitenden Dokumentation enthalten sind und für die jeweilige Produktlinie und Modell anwendbar sind, streng einhält.
- 2.4 Wenn ein Zeitplan für den Austausch von Teilen, die Instandhaltung und Reinigung bestimmter Teile oder Produktkomponenten aufgestellt wurde, gilt die Garantie nur dann, wenn dieser Zeitplan korrekt eingehalten wurde.

Z

### 3 EINSCHRÄNKUNGEN

- 3.1 Die vorliegende Garantie ist nur auf Verkäufe an Verbraucher anwendbar. "Verbraucher" sind alle Personen, die dieses Produkt zu privaten Zwecken erwerben.
- 3.2 Es wird keine Garantie für die normale Abnutzung durch den Gebrauch des Produktes gewährt. Informationen über Teile, Komponenten und/oder verschleißbare Materialien oder Verbrauchsgüter oder Batterien, Glühlampen etc. finden Sie in der Dokumentation, die das jeweilige Produkt begleitet.
- 3.3 In folgenden Fällen gilt die Garantie nicht: (I) Das Produkt wurde nicht korrekt benutzt; (II) das Produkt wurde von nicht autorisierten Personen repariert, instandgehalten oder bedient oder (III) das Produkt wurde mit nicht originalen Ersatzteilen repariert oder instandgehalten.  
Wenn der Mangel auf eine falsche Installation oder Inbetriebnahme zurückzuführen ist, gilt die vorliegende Garantie nur, wenn diese Installation oder Inbetriebnahme in den Kaufvertrag des Produktes eingeschlossen war, und von dem Verkäufer oder auf dessen Verantwortung durchgeführt wurde.

## CERTIFICATO DI GARANZIA

### 1 ASPETTI GENERALI

- 1.1 Ai sensi delle seguenti disposizioni, il venditore garantisce che il prodotto GRE corrispondente a questa garanzia ("il Prodotto") non presenta alcun difetto di conformità al momento della sua consegna.
- 1.2 Il Periodo di Garanzia per il Prodotto è di due (2) anni a decorrere dal momento della consegna dello stesso all'acquirente.
- 1.3 Nel caso in cui si venisse a produrre un difetto di conformità del Prodotto e l'acquirente lo notificasse al venditore entro il Periodo di Garanzia, il venditore dovrà riparare o sostituire il Prodotto a sue spese nel luogo che consideri opportuno, salvo che ciò risulti impossibile o sproporzionato.
- 1.4 Qualora non fosse possibile riparare o sostituire il Prodotto, l'acquirente potrà richiedere una riduzione proporzionale del prezzo o, nel caso in cui il difetto di conformità fosse sufficientemente importante, lo scioglimento del contratto di vendita.
- 1.5 Le parti sostituite o riparate in virtù della presente garanzia non rappresenteranno un prolungamento della scadenza della garanzia del Prodotto originale, quantunque disporranno di una loro propria garanzia.
- 1.6 Affinché la presente possa essere valida, l'acquirente dovrà attestare la data di acquisto e consegna del Prodotto.
- 1.7 Una volta trascorsi più di sei mesi dalla consegna del Prodotto all'acquirente, qualora quest'ultimo dichiari un difetto di conformità del medesimo, l'acquirente dovrà attestare l'origine e l'esistenza del difetto dichiarato.
- 1.8 Il presente Certificato di Garanzia non limita o preclude i diritti che corrispondano ai consumatori in virtù delle norme nazionali di carattere imperativo.

### 2 CONDIZIONI PARTICOLARI

- 2.1 La presente garanzia copre i prodotti ai quali si riferisce questo manuale.
- 2.2 Il presente Certificato di Garanzia avrà vigore unicamente nell'ambito dei paesi dell'Unione Europea.
- 2.3 Per la validità di questa garanzia, l'acquirente dovrà rispettare in maniera rigorosa le indicazioni del Fabbricante indicate nella documentazione che viene allegata al Prodotto, quando questa risulti applicabile secondo la gamma e il modello del Prodotto.
- 2.4 Nel caso in cui venga specificato un calendario per la sostituzione, la manutenzione o la pulizia di determinati pezzi o componenti del Prodotto, la garanzia sarà valida solo quando qualora detto calendario sia stato rispettato in maniera corretta.

### 3 LIMITAZIONI

- 3.1 La presente garanzia sarà valida unicamente per le vendite realizzate a consumatori, laddove per "consumatori" s'intende quella persona che acquista il Prodotto con scopi che non rientrano nell'ambito della sua attività professionale.
- 3.2 Non viene concessa alcuna garanzia nei riguardi del normale consumo per uso del prodotto. In merito ai pezzi, ai componenti e/o ai materiali fusibili o consumabili come pile, lampadine, ecc., ove sussista si applicherà quanto disposto nella documentazione che è allegata al Prodotto.
- 3.3 La garanzia non copre i casi in cui il Prodotto: (I) sia stato oggetto di un uso non corretto; (II) sia stato riparato, manipolato o la manutenzione sia stata effettuata da una persona non autorizzata o (III) sia stato riparato o la manutenzione sia stata effettuata con pezzi non originali.  
Qualora il difetto di conformità del Prodotto sia conseguenza di una installazione o messa in marcia non corretta, la presente garanzia risponderà solo nel caso in cui la suddetta installazione o messa in marcia sia compresa nel contratto di compravendita del Prodotto e sia stata realizzata dal venditore o sotto la sua responsabilità.

1.1

## GARANTIECERTIFIKAAT

### 1 ALGEMENE ASPEKTEN

- 1.2 In overeenkomst met de voorliggende bepalingen wordt door de verkoper gegarandeerd dat het produkt **GRE** verkocht onder deze garantie ("het Produkt") geen enkel defekt vertoont op het moment van levering.
- 1.3 De Garantieperiode voor het Produkt bedraagt twee (2) jaar en is geldig vanaf het moment dat het Produkt aan de koper geleverd wordt.
- 1.4 Indien er zich een defekt aan het Produkt zou voordoen en de koper dit zou mededelen aan de verkoper gedurende de geldige Garantieperiode, dan zal de verkoper het Produkt repareren of laten repareren op zijn eigen kosten alwaar de verkoper dit geschikt zou achten, behalve in het geval dat dit onmogelijk of buitensporig zou zijn.
- 1.5 Indien het Produkt niet gerepareerd of vervangen kan worden, dan kan de koper na verhouding prijsreductie aanvragen, of, indien het defekt belangrijk genoeg is, de ontbinding van het verkoopcontract aanvragen.
- 1.6 Die delen van het Produkt die onder deze Garantie vervangen of gerepareerd zijn, kunnen de duur van de Garantieperiode voor het oorspronkelijke Produkt niet verlengen, maar zullen beschikken over een eigen garantie.
- 1.7 Voor de toepassing van deze garantie moet de koper de aankoopdatum en de levering van het Produkt kunnen aantonen.
- 1.8 Indien er meer dan zes maanden verlopen zijn sinds de levering van het Produkt aan de koper, en deze plotseling aangeeft dat het Produkt niet aan de eisen voldoet, dan zal de koper de oorsprong en het bestaan van de volgens hem bestaande defecten moeten kunnen aantonen.
- 1.9 Dit Garantiecertificaat beperkt of veroorzaakt niet bij voorbaat de rechten die de gebruikers hebben en die gebaseerd zijn op nationale normen.

### 2 BIJZONDERE VOORWAARDEN

- 2.1 Deze garantie dekt de produkten waarnaar deze handleiding verwijst.
- 2.2 Het huidige Garantiecertificaat is slechts van toepassing in landen van de Europese Unie.
- 2.3 Voor de toepassing van deze garantie en in geval deze garantie van toepassing is al naar gelang de serie en het model van het Produkt, moet de koper de aanwijzingen van de Fabrikant in de documenten die bij het Produkt bijgesloten zijn, strikt opvolgen.
- 2.4 Indien er een tijdsperiode vastgesteld wordt voor de vervanging, het onderhoud of het reinigen van verschillende delen of onderdelen van het Produkt, dan is de garantie alleen geldig in geval deze tijdsperiode strikt aangehouden is.

### 3 BEPERKINGEN

- 3.1 De huidige garantie is uitsluitend geldig bij verkoop aan gebruikers, waarbij onder "gebruiker" verstaan wordt een persoon die het Produkt aanschaf met een doel dat niet binnen het gebied van zijn professionele activiteiten valt.
- 3.2 Er bestaat geen garantie in verband met normale slijtage bij gebruik van het Produkt. Wat betreft de delen, componenten en/of vervangbare of verbruiksmaterialen zoals batterijen, gloeilampen, enz. zal men zich moeten richten naar hetgeen in de documenten staat die het Produkt vergezellen.
- 3.3 De garantie dekt niet de gevallen waarbij het Produkt (i) onderhevig is geweest aan ongepast gebruik, (ii) gerepareerd, onderhouden of gemanipuleerd is door een persoon die daarvoor geen toestemming heeft, of (iii) gerepareerd of onderhouden is met niet oorspronkelijke onderdelen. Indien het defekt van het Produkt het gevolg is van een incorrecte installering of ingebruikneming, dan is deze garantie slechts van toepassing indien de installering of ingebruikneming in kwestie in het contract van koop en verkoop van het produkt opgenomen is en door de verkoper of onder diens verantwoording uitgevoerd is.

## CERTIFICADO DE GARANTIA

### 1 CONDIÇÕES GERAIS

- 1.1 De acordo com estas disposições, o vendedor garante que, no momento da entrega, o produto **GRE** correspondente a esta garantia ("o Produto") não apresenta nenhum tipo de falta de conformidade.
- 1.2 O Período de Garantia para o Produto é de dois (2) anos, contados a partir da data de entrega ao comprador.
- 1.3 Se, durante o período de garantia, o comprador notificar ao vendedor alguma falta de conformidade do Produto, o vendedor deverá reparar ou substituir o Produto por sua conta no lugar onde considerar conveniente, salvo que isso seja impossível ou desmesurado.
- 1.4 Quando não for possível reparar ou substituir o Produto, o comprador poderá solicitar uma redução proporcional do preço ou, se a falta de conformidade for o suficientemente grave, a rescisão do contrato de venda.
- 1.5 As partes substituídas ou reparadas em virtude desta garantia não ampliarão o período de garantia do Produto original, mas disporão da sua própria garantia.
- 1.6 Para que a presente garantia tenha efeito, o comprador deverá apresentar o comprovante da data de compra e de entrega do Produto.
- 1.7 Se o comprador alegar uma falta de conformidade do Produto, passados mais de seis meses da data de entrega do mesmo, deverá demonstrar a origem e a existência do defeito alegado.
- 1.8 O presente Certificado de Garantia não limita nem afecta os direitos dos consumidores derivados das normas nacionais de carácter imperativo.

### 2 CONDIÇÕES PARTICULARES

- 2.1 A presente garantia cobre os produtos descritos neste manual.
- 2.2 O presente Certificado de Garantia só será válido nos países da União Europeia.
- 2.3 Para a eficácia desta garantia, o comprador deverá seguir rigorosamente as indicações do Fabricante contidas na documentação fornecida com o Produto, quando a mesma for aplicável em função da gama e do modelo do Produto.
- 2.4 No caso de se estabelecer um calendário para a substituição, manutenção ou limpeza de determinadas peças ou componentes do Produto, a garantia só será válida se o citado calendário tiver sido cumprido rigorosamente.

### 3 LIMITAÇÕES

- 3.1 A presente garantia só será válida para as vendas realizadas a consumidores, entendendo-se por "consumidor" a pessoa que comprar o Produto com fins não abrangidos no âmbito da sua actividade profissional.
- 3.2 A garantia não cobre o desgaste normal derivado do uso do produto. Em relação às peças, componentes e/ou materiais fungíveis ou consumíveis como pilhas, lâmpadas, etc., terá efeito o disposto na documentação fornecida com o Produto, em cada caso.
- 3.3 Esta garantia não abrange as seguintes situações: (I) Se o Produto tiver sido objecto de um uso incorrecto; (II) tiver sido reparado, sofrido manutenção ou manipulado por pessoas não autorizadas ou (III) tiver sido reparado ou as suas peças substituídas por peças não originais.  
Quando a falta de conformidade do Produto for consequência de uma instalação ou colocação em funcionamento incorrecta, a presente garantia só será válida se a referida instalação ou colocação em funcionamento estiver incluída no contrato de compra-venda do Produto e tiver sido realizada pelo vendedor ou sob sua responsabilidade.

E	PRODUCTOS:	NL	PRODUKTEN:
GB	PRODUCTS:	S	PRODUKTER:
D	PRODUKTE:	N	PRODUKTER:
F	PRODUITS:	DK	PRODUKTER:
I	PRODOTTI:	SF	TOUTTEET:
P	PRODUTOS	GR	? ? ? ? ? ? :

## MONOBLOC - FILTER

? 380 / ? 480

CON VÁLVULA 1-1/2"

**DECLARACION DE CONFORMIDAD**

Los productos arriba enumerados se hallan conformes con:  
Directiva de seguridad de máquinas 89/392/CEE,  
Directiva de compatibilidad electromagnética 89/336/CEE, y sus modificaciones.  
Directiva de equipos de baja tensión 73/23/CEE,  
Normativa Europea EN 60335-2-41.

**CONFORMITEITSVERKLARING**

Bovenstaande producten voldoen aan de veiligheidsvoorschriften van de Richtlijn 89/392/EEG voor Machines, de Richtlijn 89/336/EEG voor electromagnetische verenigbaarheid, de Richtlijn 73/23/EEG voor laagspanning en aan de Europese Standaard EN 60335 - 2 - 41.

**DECLARATION OF CONFORMITY**

The products listed above are in compliance with the safety prescriptions of the Machinery Directive 89/392/EEC, Electromagnetic Compatibility Directive 89/336/EEC and its modifications, Low Voltage Directive 73/23/EEC and the European Standard EN 60335 - 2 - 41.

**FÖRSÄKRAN OM ÖVERENSSTÄMMELSE**

Ovanstående produkter är i överensstämmelse med villkoren i maskindirektiv 89/392/EU, direktiv för elektromagnetisk spänning 89/336/CEE och dess modifikationer, lågspänningsdirektiv EU/73/23 samt europeisk standard EN 60335 - 2 - 41.

**KONFORMITÄT SERKLÄRUNG**

Die oben angeführten Produkte entsprechen den Sicherheitsbestimmungen der Maschinenrichtlinien 89/392/EG, der Richtlinie der elektromagnetischen Kompatibilität 89/336/CEE und deren Änderungen, der Niederspannungs-Richtlinien 73/23/EG und der europäischen Vorschrift EN 60335 - 2 - 41.

**KONFORMITETSERKLÆRING**

Ovennevnte produkter oppfyller sikkerhetskravene i Direktiv for maskiner 89/392/CEE, Direktiv for elektromagnetisk kompatibilitet 89/336/CEE med endringer. Direktiv for lavspenningsapparater 73/23/CEE. Europeisk standard EN 60335-2-41.

**DÉCLARATION DE CONFORMITÉ**

Les produits énumérés ci-dessus sont conformes aux prescriptions de sécurité de la Directive Machines 89/392/CEE, de la Directive de compatibilité électromagnétique 89/336/CEE, et ses modifications, de la Directive Appareils Basse Tension 73/23/CEE et à la Norme Européenne EN 60335 - 2 - 41.

**OVERENSSTEMMELSESERKLÆRING**

Ovenstående produkter oppfyller bestemmelseerne i Sikkerhedsdirektiv for maskineri 89/392/EØF, Direktiv for elektromagnetisk forenelighed 89/336/EØF og dets ændringer, Direktiv for lavspænding 73/23/EØF samt europæisk standard EN 60335 - 2 - 41.

**DICHIARAZIONE DI CONFORMITÀ**

I prodotti su elencati sono conformi al quanto segue:  
Direttiva di Sicurezza della Macchine 89/392/CEE, Direttiva di Compatibilità Elettromagnetica 89/336/CEE e relative modifiche, Direttiva Bassa Tensione 73/23/CEE, Norma europea EN 60335 - 2 - 41.

**VAATIMUSTENMUKAISUUSVAKUUTUS**

Yllämainitut tuotteet täyttävät EU:n konedirektiivin 89/392/ETY, sähkömagneettisten laitteiden yhteensopivuusdirektiivin (EMC) 89/336/ETY ja siihen liittyvät muutokset, pienjännitedirektiivin 73/23/ETY, sekä eurooppalaiset standardit EN 60335 - 2 - 41.

**DECLARAÇÃO DE CONFORMIDADE**

Os produtos da lista acima estão conformes as:  
Directiva de segurança de máquinas 89/392/CEE, Directiva de compatibilidade electromagnética 89/336/CEE e respectivas modificações, Directiva de Baixa Tensão 73/23/CEE, Norma europeia EN 60335 - 2 - 41.

**????OS? S????????????S**

?a pa?ap??? p?????ta e??a? s?µf??a µe t??: ?d??a pe?? asfa?e?a? µ??a??µ?t?? 89/392/???, ?d??a pe?? ??e?t??µa??t??t?? s?µBat?t?ta? 89/336/???, ?a? ?? a??a?? t???. ?d??a pe?? s?s?e?? ?µ???? t?s?? 73/23/???, ?a? t?? ????pa??? ?a????s µ? ?? 60335 -2-41.

Firma / Cargo:

Signature / Qualification:

Unterschrift / Qualifizierung:

Signature / Qualification:

Firma / Qualifica:

Assinatura / Título:

Handtekening / Hoedanigheid:

Namnteckning / Befattning:

Underskrift / Stilling:

Signatur / Tilstand:

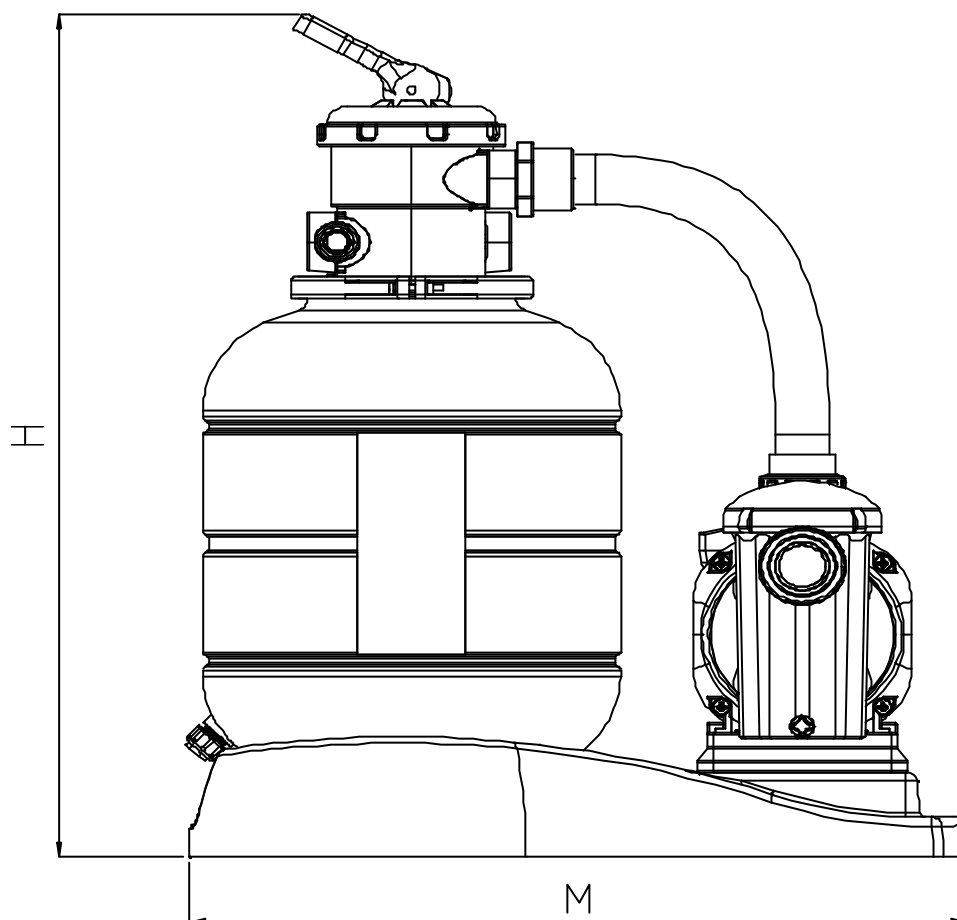
Allekirjoitus / Virka-asema:

? ? ? ? ? ? ? ? ? ? ? ?

A.Cairo (Resp. Gestion)

24-11-2003

- ? TECHNICAL CHARACTERISTICS
- ? CARACTERÍSTICAS TÉCNICAS
- ? CARACTERISTIQUES TECHNIQUES
- ? TECHNISCHE ANGABEN
- ? DATI TECNICI
- ? TECHNISCHE GEGEVENS
- ? CARACTERÍSTICAS TÉCNICAS



	AR135	AR1350	AR140	AR1400
? Filter / ? Filtre / ? Filtro / ? Filtro / ? Sandfilter / ? Sandfilter / ? Filtro	380 mm		480 mm	
H	760 mm		930 mm	
M	700 mm		830 mm	
Flow rate / Caudal / Débit / Durchflubmenge / Portata / Debiet / Caudal	5,5 m <sup>3</sup> /h.	6 m <sup>3</sup> /h.	7,5 m <sup>3</sup> /h.	9 m <sup>3</sup> /h.
Filtering speed / Velocidad de filtración / Vitesse de filtrage / Filtriergeschwindigkeit / Velocità filtrazione / Filtersnelheid / Velocidade de filtragem	48.5 m <sup>3</sup> /m <sup>2</sup> /h		41.6 m <sup>3</sup> /m <sup>2</sup> /h	
Potency / Potencia / Puissance / Stromstärke / Potenza / Vermogen / Potência	1/2 CV		3/4 CV	
Voltage / Voltaje / Voltage / Spannung / Voltaggio / Voltagem / Voltage	230 V		50 Hz	
Sand filling / Carga de arena / Charge du sable / Sandladung / Carico di sabbia / Zandlading / Carga de areia	40 Kg		85 Kg	
Supplied sand / Arena suministrada / Sable livré / Gelieferte Sandmenge / Sabbia fornita / Meegeleverde zand / Areia fornecida	2 x 25 Kg		4 x 25 Kg	
Grain size / Granulometría / Granulométrie / Körnung / Granulometria / Korrelgroottemeting / Granulometria	0,4-0,8 mm.			

WE RESERVE THE RIGHT TO CHANGE ALL OF PART OF THE FEATURES OF THE ARTICLES OR CONTENTS OF THIS DOCUMENT, WITHOUT PRIOR NOTICE.  
 NOS RESERVAMOS EL DERECHO DE CAMBIAR TOTAL O PARCIALMENTE LAS CARACTERÍSTICAS DE NUESTROS ARTÍCULOS O CONTENIDO DE ESTE DOCUMENTO SIN PREVIO AVISO  
 NOUS NOUS RÉSERVONS LE DROIT DE MODIFIER TOTALEMENT OU EN PARTIE LES CARACTERISTIQUES DE NOS ARTICLES OU LE CONTENU DE CE DOCUMENT SAN PRÉÉ AVIS  
 WIR BEHALTEN UNS DAS RECHT VOR DIE EIGENSCHAFTEN UNSERER PRODUKTE ODER DEN INHALT DIESES PROSPECTES TEILWEISE ODER WOLLSTANDING, OHNE VORHERIGE BENACHTIGUNG SU ANDEM  
 CI RISERVAMO IL DIRITTO DI CAMBIARE TOTALEMENTE O PARZIALMENTE LE CARATTERISTICHE TECNICHE DEI NOSTRI PRODOTTI ED IL CONTENUTO DI QUESTO DOCUMENTO SENZA NESSUM PREAVVISO  
 WIJ BEHOUDEN ONS HET RECHT VOOR GEHEEL OF GEDEELTELIJK DE KENMERKEN VAN ONZE ARTIKELEN OF DE INHOUK VAN DEZE HANDLEIDING ZONDER VOORAFGAAND BERICHT TE WIJZIGEN  
 RESERVAMO-NOS NO DEREITO DE ALTERAR, TOTAL OU PARCIALMENTE AS CARACTERÍSTICAS DOS NOSSOS ARTIGOS OU O CONTÚDO DESTA DOCUMENTO SEM AVISO PRÉVIO

DISTRIBUIDO POR :  
**MANUFACTURAS GRE S.A.**  
 C/ ARITZBIDEA Nº 57, BARRIO TROBIKA  
 48100 MUNGIA (BIZKAIA) ESPAÑA.  
 TEL. 34 946741116 FAX. 34 946741708  
<http://www.gre.es>  
 Nº REG. IND.:48-06762  
 FABRICADO POR : C.I.F. A-08246274