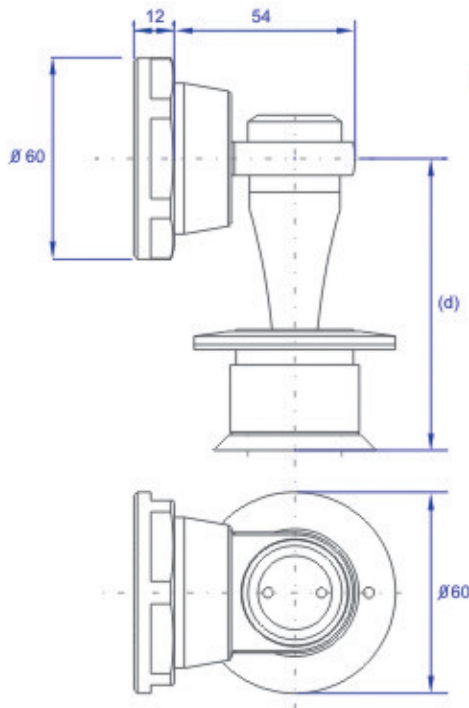




# PUNTpart Wall

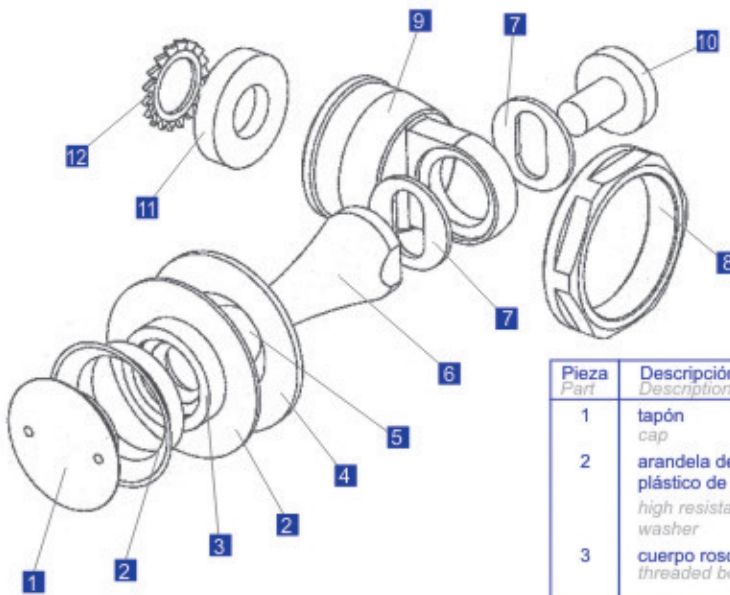


- (d)= rótula SP = 81 mm.  
SP articulated bolt
- rótula SP-D = 87 mm.  
SP-D articulated bolt
- rótula SP-D = 90.75 mm.  
(vidrios > 30 mm)  
SP-D articulated bolt  
(glasses > 30 mm)



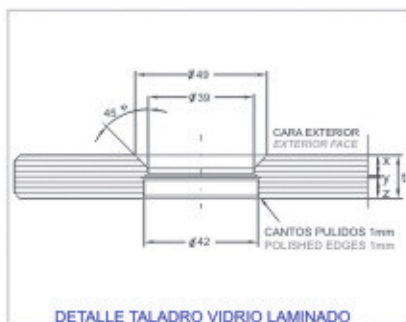
**Anclaje estructural de esquina de acero inoxidable AISI-316 con rótula tipo SP incorporada, apto para la fijación sobre cualquier material base.**

*AISI 316 stainless steel structural corner fixing device, mounting SP type articulated bolt and suited to be fixed over any base material.*



Pieza Part	Descripción Description
1	tapón cap
2	arandela de material plástico de alta resistencia high resistance plastic washer
3	cuerpo roscado threaded body

Pieza Part	Descripción Description
4	arandela roscada threaded washer
5	bola ball
6	cono cone
7	arandela washer
8	arandela hexagonal hexagonal washer
9	ménsula cantilever
10	tornillo posterior back screw
11	base roscada ajustable adjustable threaded base
12	arandela bloqueante blocking washer



DETALLE TALADRO VIDRIO LAMINADO  
LAMINATED GLASS HOLE DETAIL



DETALLE TALADRO VIDRIO MONOLÍTICO  
MONOLITHIC GLASS HOLE DETAIL



DETALLE TALADRO VIDRIO AISLANTE  
INSULATED GLASS HOLE DETAIL