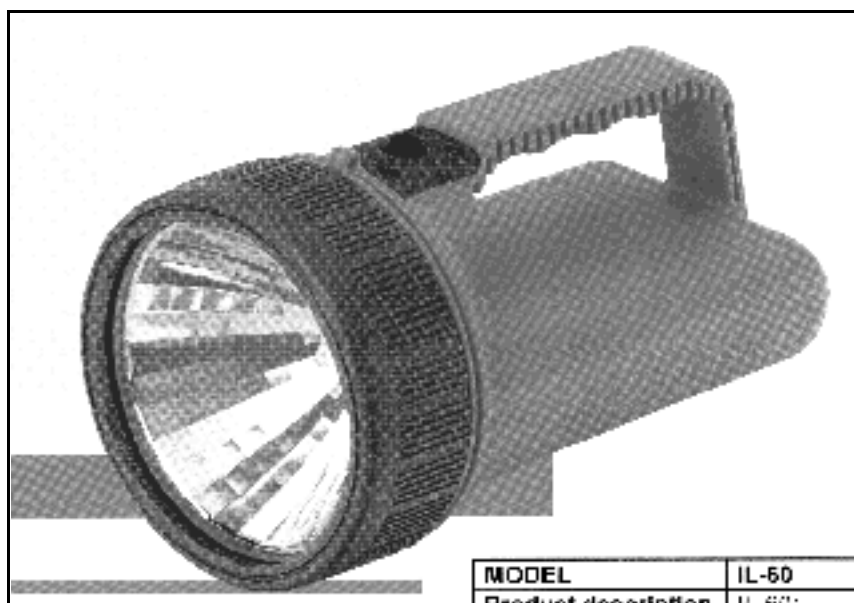


MICA IL-60



MODEL	IL-60																	
Product description	IL 60: Rechargeable hand lamp IL 60FM Rechargeable emergency lamp																	
Battery	6V 5Ah NiCd min. 1000 cycles																	
Lamp	Halogen 4, 6, 10, 20 or 30 watt, spot or flood reflector																	
Candlepower	<table border="0"> <tr> <td>4, 6 watt = P13 5S socket</td> <td></td> </tr> <tr> <td>10, 20, 30 watt = G4 socket</td> <td></td> </tr> <tr> <td>Spot:</td> <td>Flood:</td> </tr> <tr> <td>4 watt 20,000</td> <td>4 watt 5,000</td> </tr> <tr> <td>6 watt 30,000</td> <td>6 watt 10,000</td> </tr> <tr> <td>10 watt 50,000</td> <td>10 watt 20,000</td> </tr> <tr> <td>20 watt 105,000</td> <td>20 watt 42,000</td> </tr> <tr> <td>30 watt 180,000</td> <td>30 watt 64,000</td> </tr> </table>		4, 6 watt = P13 5S socket		10, 20, 30 watt = G4 socket		Spot:	Flood:	4 watt 20,000	4 watt 5,000	6 watt 30,000	6 watt 10,000	10 watt 50,000	10 watt 20,000	20 watt 105,000	20 watt 42,000	30 watt 180,000	30 watt 64,000
4, 6 watt = P13 5S socket																		
10, 20, 30 watt = G4 socket																		
Spot:	Flood:																	
4 watt 20,000	4 watt 5,000																	
6 watt 30,000	6 watt 10,000																	
10 watt 50,000	10 watt 20,000																	
20 watt 105,000	20 watt 42,000																	
30 watt 180,000	30 watt 64,000																	
Material	High impact Nylon housing																	
Colour	Orange																	
Weight with battery	1.7 kg																	
Dimensions	216 mm (L) x 121 mm (W) x 121 mm (H)																	
Run time	<table border="0"> <tr> <td>Full power:</td> <td>Half power:</td> </tr> <tr> <td>4 watt = 8 hrs</td> <td>4 watt = 12 hrs</td> </tr> <tr> <td>6 watt = 5 hrs</td> <td>6 watt = 9 hrs</td> </tr> <tr> <td>10 watt = 2h 40min</td> <td>10 watt = 4h 30min</td> </tr> <tr> <td>20 watt = 1h 20min</td> <td>20 watt = 2h 15min</td> </tr> <tr> <td>30 watt = 1h</td> <td>30 watt = 1h 20min</td> </tr> </table>		Full power:	Half power:	4 watt = 8 hrs	4 watt = 12 hrs	6 watt = 5 hrs	6 watt = 9 hrs	10 watt = 2h 40min	10 watt = 4h 30min	20 watt = 1h 20min	20 watt = 2h 15min	30 watt = 1h	30 watt = 1h 20min				
Full power:	Half power:																	
4 watt = 8 hrs	4 watt = 12 hrs																	
6 watt = 5 hrs	6 watt = 9 hrs																	
10 watt = 2h 40min	10 watt = 4h 30min																	
20 watt = 1h 20min	20 watt = 2h 15min																	
30 watt = 1h	30 watt = 1h 20min																	
Other features:	Deep discharge prevention Low battery warning IP class: IP 67 (Waterproof), floats Shoulder strap Fully automatic charger IL-35 12-30 VDC, serves also as mounting rack Mains adapter IL-1 120VAC or 230VAC																	



