

Garrett Metal Detectors

Magnascanner CS 5000

Microprocessor-Controlled Walk-Through Metal Detector

Improved Detection Performance...

- Microprocessors in both detection and control circuitry
- Greater sensitivity for detecting weapons
- Precise target evaluation
- Uniform coverage from archway to floor
- Noise reduction to prevent false alarms

Increased Operating Flexibility...

- Touchpads and backlit LCD for greater ease and clarity
- Precise control of program/sensitivity settings
- Continuous on-line reports of operating status
- Tamper-proof settings through computerized access codes
- Three levels of anti-burst sensitivity

Proven Reliability, Quality and Value...

- Meets latest requirements of FAA and other regulatory bodies
- Complete and automatic self-diagnostic program
- Rugged, yet designed for easy and quick assembly
- Optional battery pack for use anywhere
- State-of-the-art manufacturing technology
- Meets international standards for CE regulations

GARRETT
METAL DETECTORS

*Plus... proven dependability for
over 30 years.*



Overhead control unit: LCD Display, LED keypad and control touchpad plus all wiring connections are airtightly integrated in a single overhead compartment; eliminates exposed wires and external control box.

Control outputs: Solid state switches (low voltage AC or DC) for operating external alarms and control devices.

Indicators: Ready light, indicates unit is operational; Alarm light and audible alarm are activated when target amount of metal is detected; LED bar graph indicates strength of alarm signal.

Traffic counter: R, I, P, and resettable with current reading easily available on LCD panel.

Temperature: Dual-level access modes required to set or change all sensitivity settings and detection programs; one level for user adjustments in setting programs and sensitivity and the other for initial set-up and overall control; non-resettable sequence counter logs all changes made whenever sensitivity changes are accessed; Audible alarm records any unattended file or address.

Construction: Attractive scratch and mar resistant surface with resilient end caps; control panel and access plates of heavy duty aluminum.

Regulatory Information: Meets or exceeds detection requirements of the National Institute of Law Enforcement and Criminal Justice Standards (NILECJCS) Levels 1-3 and Federal Aviation Administration airport application specifications. Programs have been designed specifically to meet the throughput test of the FAA and requirements of the Unclassifiable Firearms Act of 1994.

Also complies with IEC standards for Safety requirements for Electronic Measuring Apparatus and meets the Federal Communications Commission Class B standards for noise emission from commercial electrical equipment.

Complies to the new European Electromagnetic Compatibility Directive, 89/336/EEC CE
 + EN 55011, Group 2, Class B + EN 50382-1

Public Safety: The peak magnetic field strength of less than one Gauss will not affect magnetic recording media, including magnetic tape, disks and cards. Unit has been tested in accordance in a field meets the electromagnetic safety requirements of:

- Institute of Electrical and Electronics Engineers, "A Standard of Safety Levels with Respect to Human Exposure in Radio Frequency Electromagnetic Fields 3 kHz to 300 GHz" IEEE Std. 1 - 1991 section 4.2.

- Occupational and Safety Health Administration, Radiation Protection Guide, (CFR 1910.67 section (2)).

- National Institute of Law Enforcement and Criminal Justice Standards for Walk-Through Metal Detectors for use in Weapons Detection (NILECJCS STD 0607-00 section 4.11).

- Canada Health and Welfare Performance Standards (Walk Through) EPA 80-18 section 3.2.2 which addresses the issue of electromagnetic effects to cardiac pacemakers.

Weatherproofing/Foreign Object Protection Standards: Meets IP 21, IEC Standard, "Degree of Protection Provided by Enclosures", IEC 529

Infrared sensor: Improves analysis of detection signal; increases throughput; helps eliminate "false alarms"; also provides accurate traffic counter.

Interference rejection: 100% spurious free; by shielding; special ground return circuitry for noise suppression and ignoring easy monitor hardware signals.

Masking: Microprocessor programming designed to eliminate the problem of detection signals from control units targeted as being "high blue".

Synchronization: Multiple frequencies permit several Magnetometers to operate simultaneously in close proximity.

Electrical: Fully automatic; 100 to 240 VAC, 50 or 60 Hertz; 5 watts; no rewiring, switching or adjustments required. Power supply meets UL, CSA, TUV, and VDE Standards.

Operating temperatures: -4F (-20C) to +148F (60C)

Humidity: 5-95% noncondensing.

Throughput rate: Not limited by electronics; 50-60 detections per minute is reasonable.

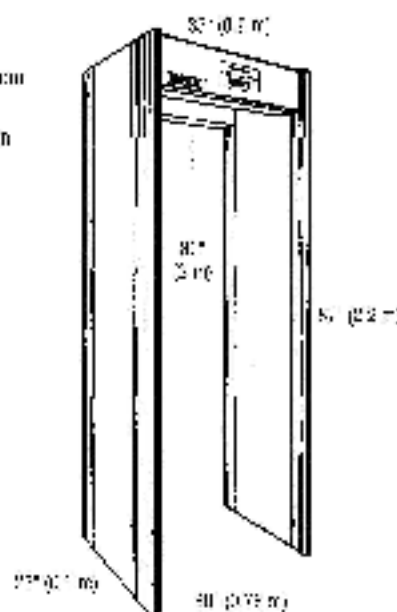
Optional features: 2225/300 Battery back-up - allows up to 20 hrs.
 2225/600 Remote Control Console - allows remote operation up to 50 feet
 1160000 Macro Drive wheel assembly for easy portability
 1600900 Stand for Ease

Weight: Approximately 99 pounds (45 kg)

Warranty: 24 months, parts and labor.

Model: 1187-10

Dimensions:	Passageway Interior:	Overall exterior:	Shipping:
	Width: 30" (0.76 m)	Width: 36" (0.9 m)	Width: 39.5" (1.0 m)
	Height: 81" (2.1 m)	Height: 81" (2.1 m)	Height: 81.5" (2.13 m)
	Depth: 33" (0.84 m)	Depth: 32" (0.81 m)	Depth: 32" (0.81 m)
			Weight: 155 lbs (70.3 kg)



Garrett Magnascanner CS 5000

*Microprocessor Circuitry for Programmed Sensitivity
Touchpad Controls/LCD for Operating Ease*

Microprocessors in both detection and control circuits ensure sensitivity and flexibility of programming never before possible in a metal detector. The Magnascanner CS offers an almost infinite number of precise and resolvable program/sensitivity settings, enabling it to respond more effectively to weapons while ignoring harmless objects. Uniform detection from airway to floor meets the latest requirements of the Federal Aviation Administration and law enforcement testing agencies.



Touchpads and an LCD that clearly reports all calibration and operating information simplify operations. A dual-level system of access codes enhances security while eliminating bothersome keys. Additionally, the new detector offers multiple phase frequencies and other features such as variable tone settings to facilitate slaving and multi-unit operations.

Optional Accessories available for the CS 5000:



Battery Module, #2225700

*Allows convenient
12v battery operation*



Operational Test Piece (OTP), #1000600

Designed to FAA requirements



Stabilizer Base, #1603900



Magna Dolly, #1168000

Wheel assembly for easy portability



Remote Control, #2225800

*Standard length of cable: 50 feet
(Contact the factory for optional lengths.)*



GARRETT
METAL DETECTORS



*Makers of the famed
Super Scanner and other quality
products, Garrett is the world's
largest manufacturer of metal detectors.*