

## UL 1.2-6



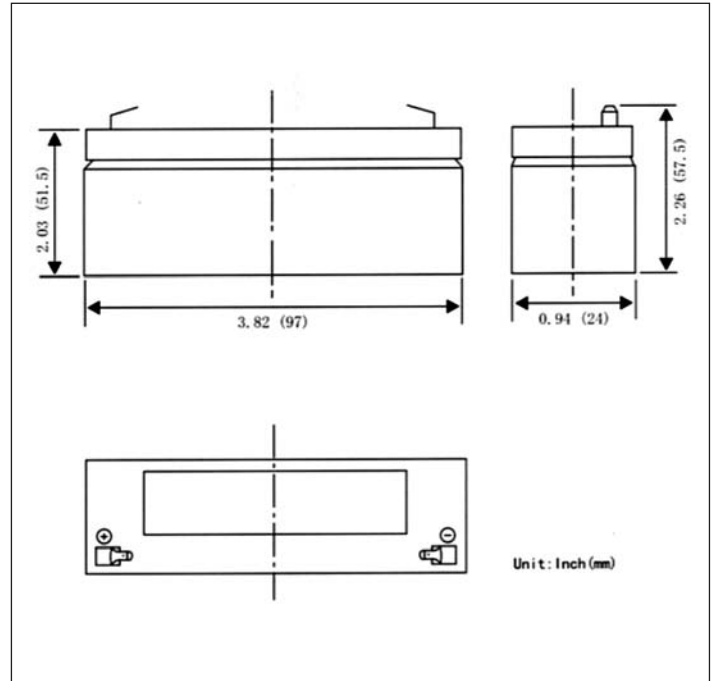
### Specifications

Nominal Voltage	6V
Rated Capacity (20 hour rate)	1.2Ah
Dimensions	
Total Height (with terminals)	2.26 inches (58mm)
Height	2.03 inches (52mm)
Length	3.82 inches (97mm)
Width	0.94 inches (24mm)
Weight	Approx. 0.66lbs (300g)

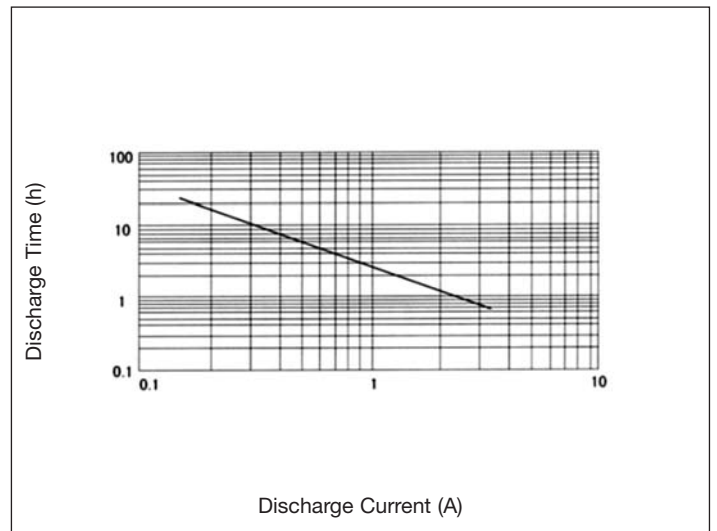
### Characteristics

Capacity 77°F (25°C)	20 hour rate	1.2Ah
	10 hour rate	1.1Ah
	5 hour rate	1.0Ah
	1 hour rate	0.7Ah
Internal Resistance	Fully charged Battery	45mΩ
	77°F (25°C)	
Capacity affected by Temperature (20 hour rate)	104°F (40°C)	102%
	77°F (25°C)	100%
	32°F (0°C)	85%
	5°F (-15°C)	65%
Self- Discharge 77°F (25°C)	Capacity after 3 month storage	90%
	Capacity after 6 month storage	80%
	Capacity after 12 month storage	60%
Charge (Constant Voltage)	Cycle	Initial Charging Current less than 0.5A Voltage 7.25~7.45V / 6V 77°F (25°C)
	Float	Voltage 6.8~6.9V / 6V 77°F (25°C)

\* The above data are average values, and can be obtained within 3 charge/discharge cycles. These are not minimum values.



### Discharging Current & Discharge Duration Time



### Discharging Curves 77°F (25°C)\*

