

## UL 4-12



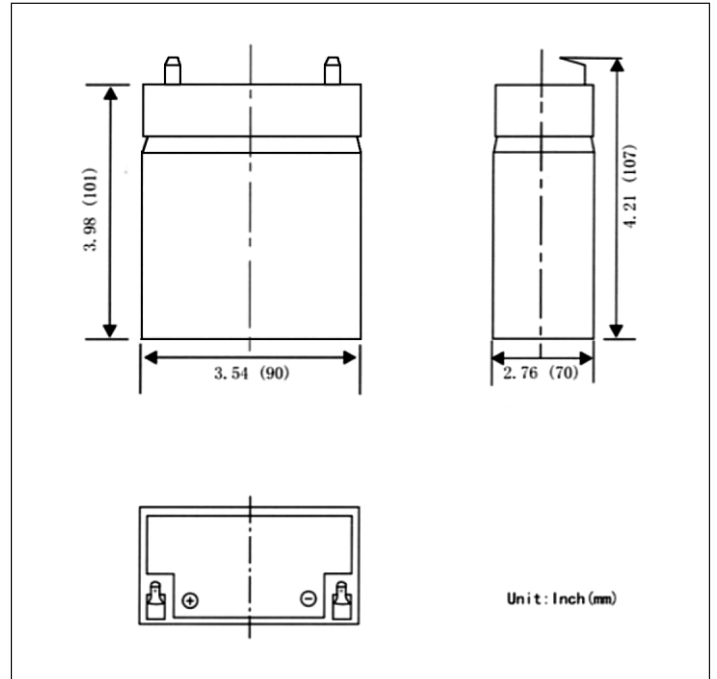
### ■ Specifications

Nominal Voltage	12V
Rated Capacity (20 hour rate)	4Ah
Dimensions	
Total Height (with terminals)	4.21 inches (107mm)
Height	3.98 inches (101mm)
Length	3.54 inches (90mm)
Width	2.76 inches (70mm)
Weight	Approx. 4.07lbs (1850g)

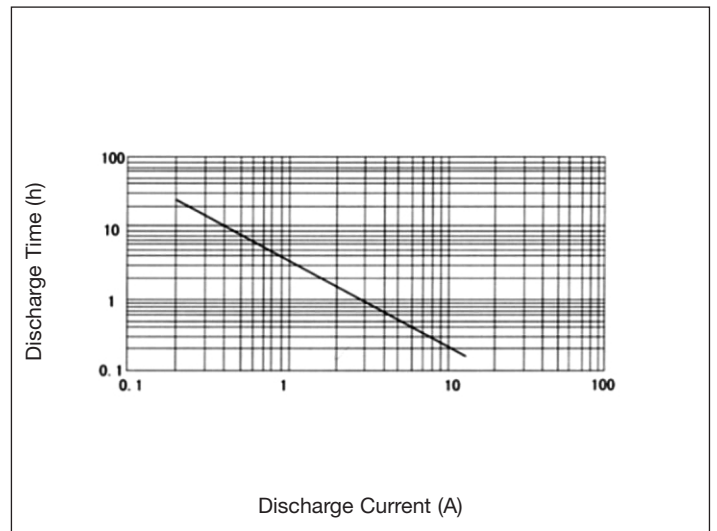
### ■ Characteristics

Capacity	20 hour rate	4.5Ah	
	77°F (25°C)	10 hour rate	4.0Ah
		5 hour rate	3.6Ah
		1 hour rate	2.7Ah
Internal Resistance	Fully charged Battery	35mΩ	
	77°F (25°C)		
Capacity affected by Temperature (20 hour rate)	104°F (40°C)	102%	
	77°F (25°C)	100%	
	32°F (0°C)	85%	
	5°F (-15°C)	65%	
Self-Discharge	Capacity after 3 month storage	90%	
	Capacity after 6 month storage	80%	
	Capacity after 12 month storage	60%	
Charge (Constant Voltage)	Cycle	Initial Charging Current less than 1.6A Voltage 14.5~14.9V / 12V 77°F (25°C)	
	Float	Voltage 13.6~13.8V / 12V 77°F (25°C)	

\* The above data are average values, and can be obtained within 3 charge/discharge cycles. These are not minimum values.



### ■ Discharging Current & Discharge Duration Time



### ■ Discharging Curves 77°F (25°C)\*

