

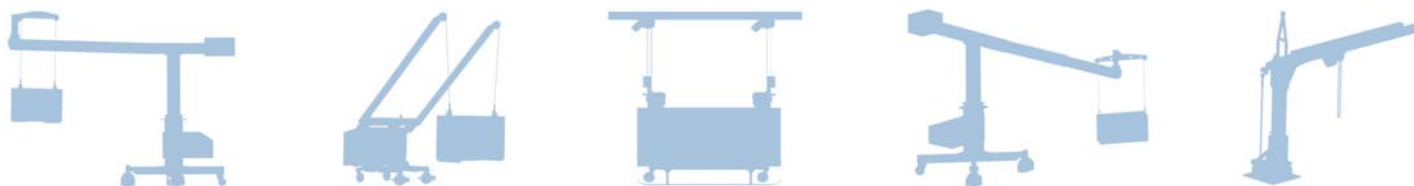


SKY CLIMBER®

ACCESS INNOVATIONS SINCE 1955

Experience. Dynamic. Global. Excellence.

B.M.U. & P.I. Division



www.skyclimber.es

COMPANY PROFILE

We are part of Sky Climber[®], a multi-national Company, since 1955. The most recognized name, in the world of suspended access solutions.

Sky Climber[®] BMU & P.I. Division is the company inside the group specialized in design and manufacture of BMU's (Building Maintenance Units) and PI (Permanent Installations), created to give service to the increasing demand of Access Façade Systems, with comprehensive solutions (fast, economical, high quality, effective and safe).

We are specialized in two sectors:

- ▶ **BMU & P.I. DIVISION**
- ▶ **CONSULTING SERVICES**

Our team of engineers, has an experience of more than 15 years, designing this kind of equipment, and they have been involved, in more than 500 projects, already executed, all around the world.

Bespoke products, for each specific building. We provide solutions both for new building projects, and for already built buildings.



A BRIEF HISTORY

1955:

Foundation SkyClimber Inc.

First Suspension Access Equipment Company in the world

1969:

Foundation SkyClimber Europe.

Export base for Europe and rest of the world.

OUR VISION & PRINCIPLE

First company for suspended access world wide.

The staff of Sky Climber® BMU & P.I. Division is ready to provide the customers all needs for this just looking for your complete satisfaction with customized solutions.



“Our target is complete customer satisfaction with highest quality customized solutions”

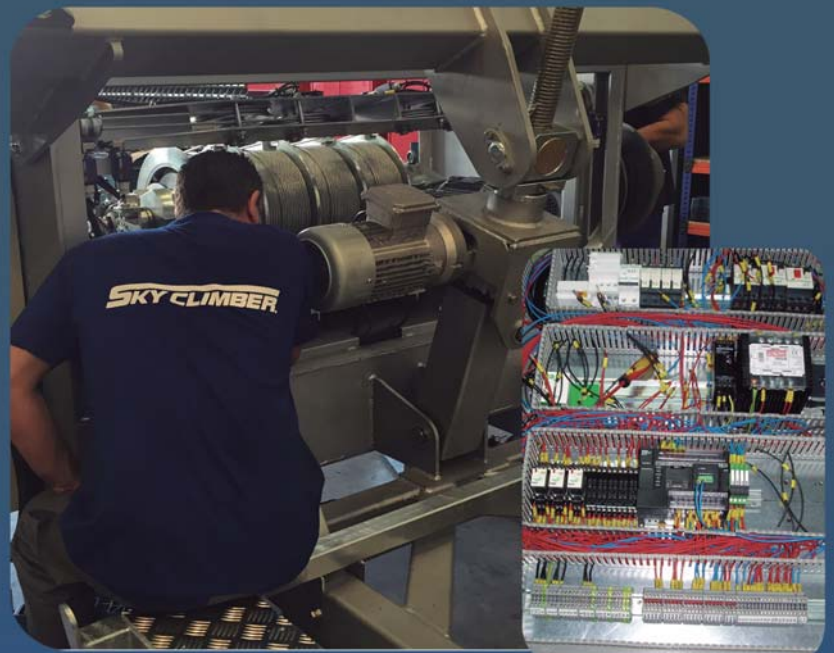
Carlos Cremades
Managing Director

AFTER SALES SERVICES

We supply genuine spare parts that your need.

Skyclimber professionally repairs its own and other brand's products to give customers complete satisfaction.

Our target is provide the best service of technical assistance post-selling (on line, by telephone...).



Control Technical Box

BMU & P.I. DIVISION

Being the global leading supplier of suspended access equipment with total focus on:

SAFETY

Products are CE & UL
Approved.

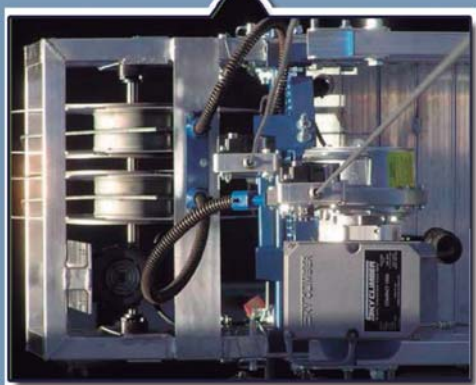
Safety Training.

SERVICE

Commercial and Technical
Support directly or through
local distributor.

SOLUTIONS

Commercial and Technical
Support directly or through
local distributor.

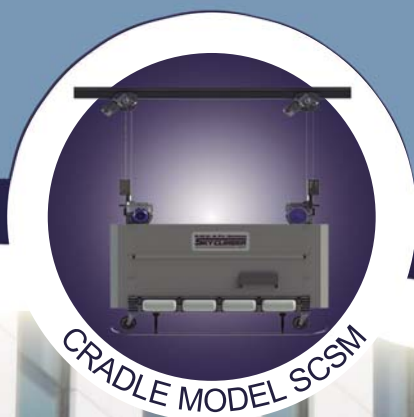
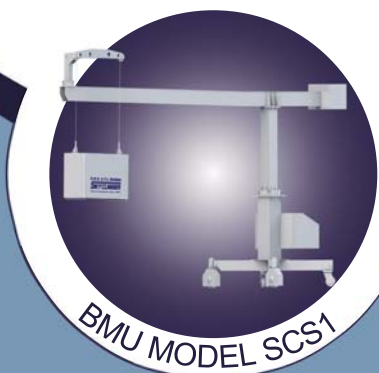


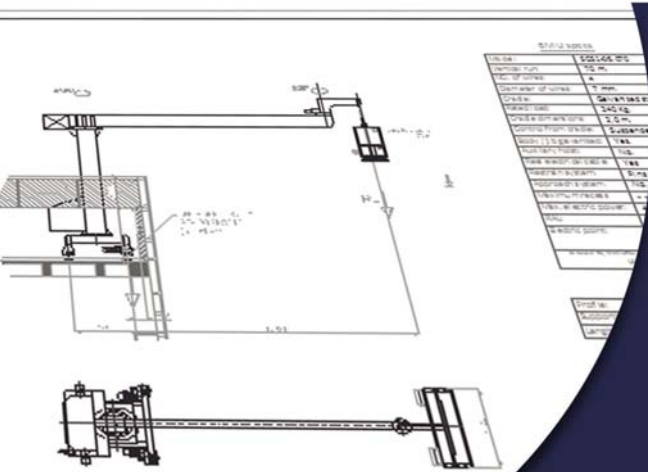
DISCOVER THE **EDGE:**

Experience. Dynamic. Global. Excellence.

RANGE OF PRODUCTS

*Different products of BMU and Permanent Installations
for different solutions.*

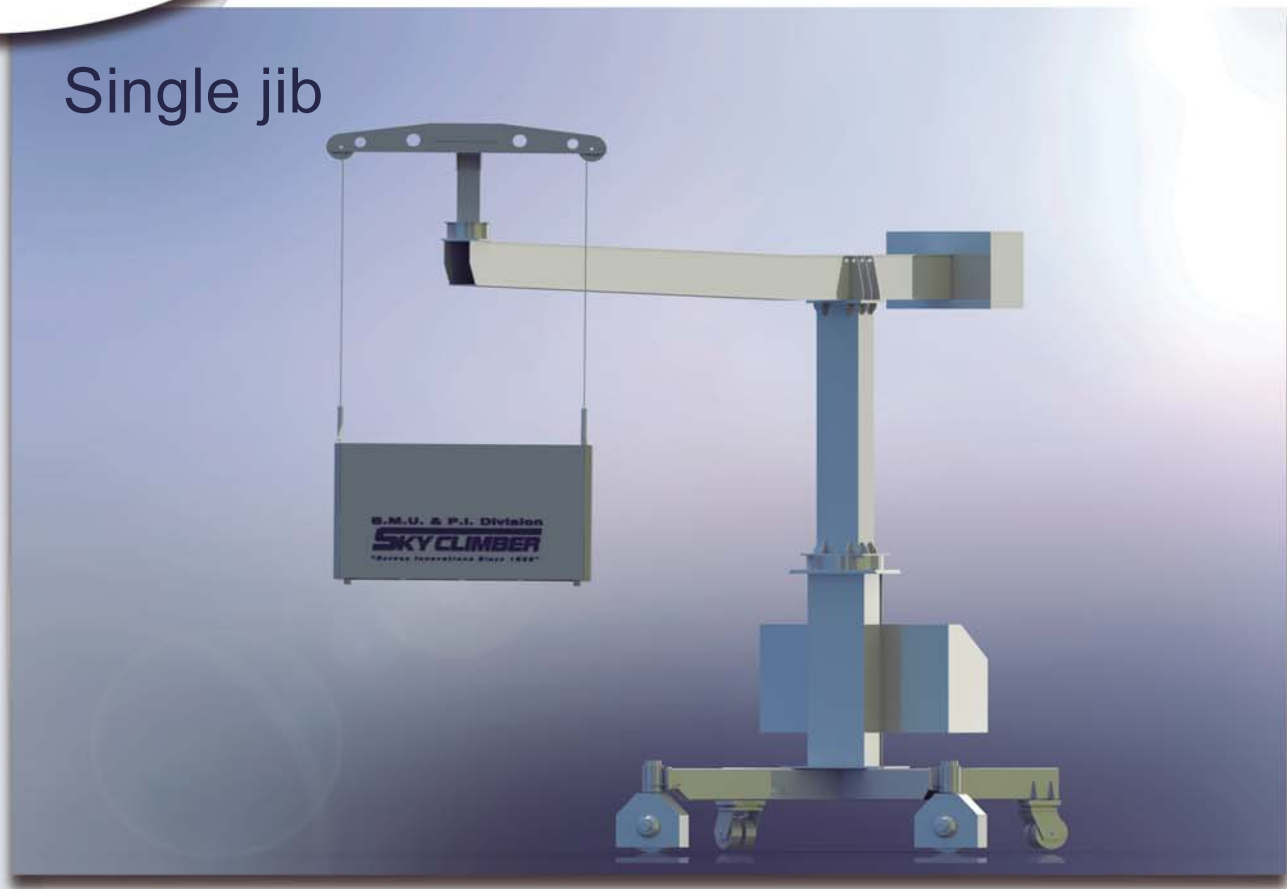




BMU SCS1	
Model	SCS1
Max. reach	14 m.
Type of jib	Monojib
Max. load	240 kg
Finished	Hot deep G.
Painted	To define
Security emergencies	Included.
Manual rescue system	Included.
Micro securities for all movements	Included
Restraining system	Bdg. +40 m.

BMU MODEL SCS1

Single jib



SPECIFICATIONS

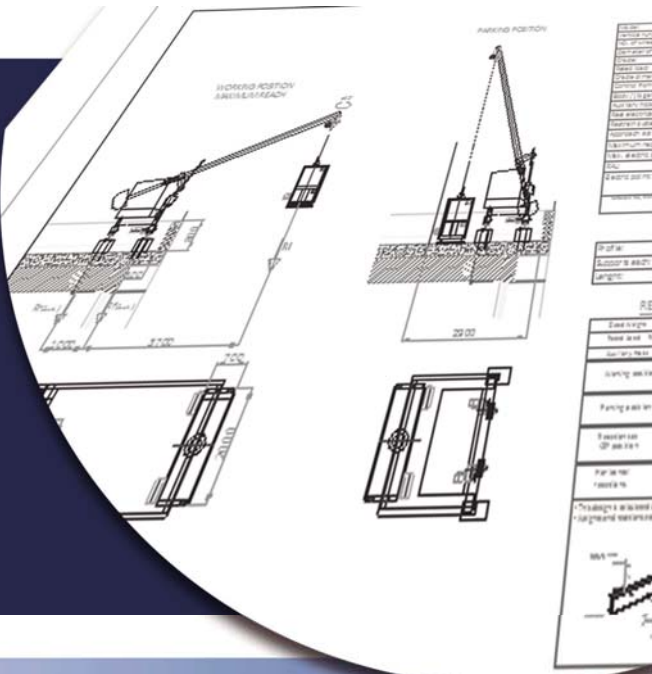
Model	SCS1
Type of jib	Monojib
Max. reach	14 m.
Finished	Hot deep G.
Painted	To define
Security emergencies	Included.
Manual rescue system	Included.
Micro securities for all movements	Included
Restraining system	Bdg. +40 m.

OPTIONS

	Possible opt.
Cable reeler	✓
Water tanks	✓
Telephone	✓
Telescopic mast	✓
Luffing of jib	✓
Luffing of head	✓
Aluminum finished	✓
Anemometer	✓
Safety line	✓

All products are tailor made for each individual client. Please contact us for details.

BMU MODEL SCS2



Double jib

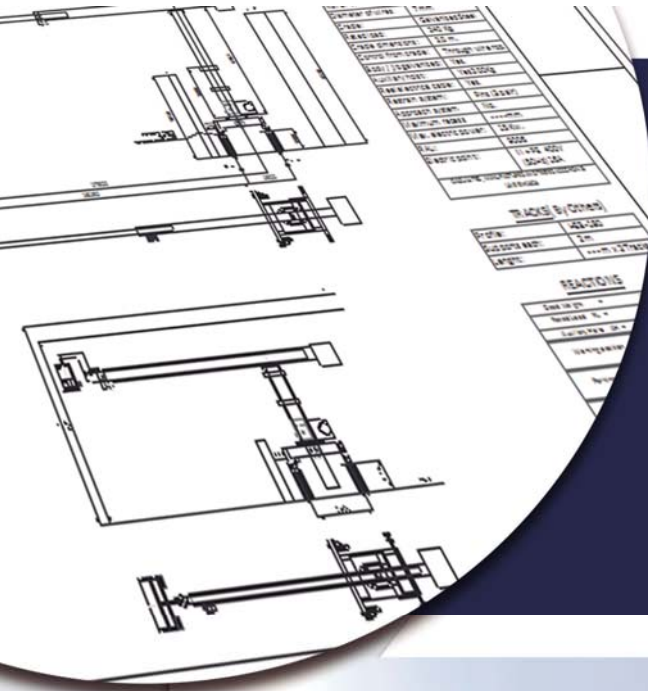
SPECIFICATIONS

Model	SCS2
Type of jib	Double jib
Max. reach	4,5 m.
Finished	Hot deep G.
Painted	To define
Security emergencies	Included.
Manual rescue system	Included.
Micro securities for all movements	Included
Restrain system	Bdg. +40 m.

OPTIONS

	Possible opt.
Cable reeler	✓
Water tanks	✓
Telephone	✓
Telescopic mast	✗
Luffing of jib	✓
Luffing of head	✓
Aluminum finished	✓
Anemometer	✓
Safety line	✓

All products are tailor made for each individual client. Please contact us for details.



BMU MODEL SCST

Telescopic jib



SPECIFICATIONS

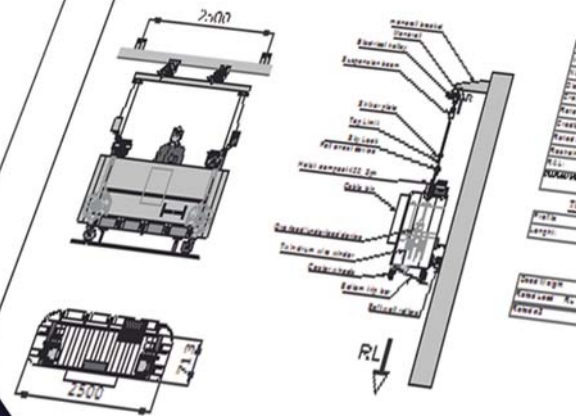
Model	SCST
Type of jib	Telescopic
Max. reach	30 m.
Finished	Hot deep G.
Painted	To define
Security emergencies	Included.
Manual rescue system	Included.
Micro securities for all movements	Included
Restrain system	Bdg. +40 m.

OPTIONS

	Possible opt.
Cable reeler	✓
Water tanks	✓
Telephone	✓
Telescopic mast	✓
Luffing of jib	✓
Luffing of head	✓
Aluminum finished	✓
Anemometer	✓
Safety line	✓

All products are tailor made for each individual client. Please contact us for details.

CRADLE MODEL SCSM



Selfpowered
cradle

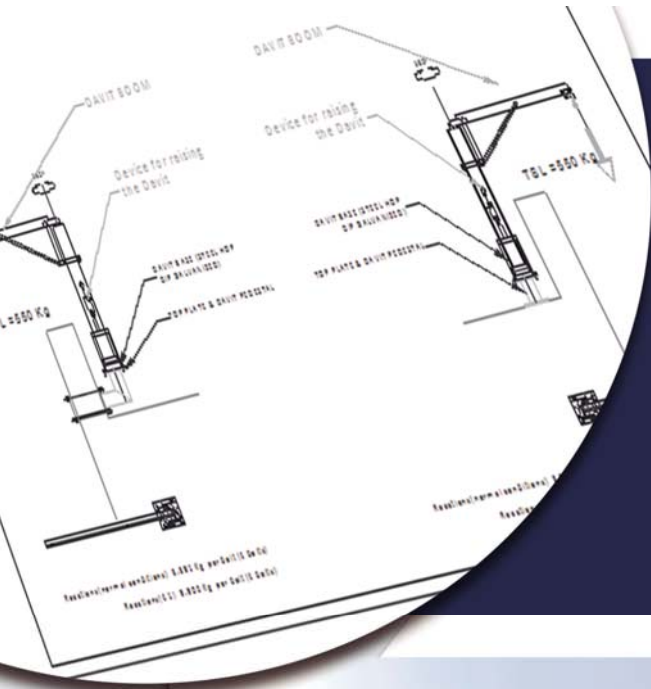
SPECIFICATIONS

Model	SCSM
Type of jib	--
Max. reach	--
Finished	Alumin./Steel
Painted	To define
Security emergencies	Included.
Manual rescue system	Included.
Micro securities for all movements	Included
Restrain system	Bdg. +40 m.

OPTIONS

	Possible opt.
Cable reeler	✗
Water tanks	✓
Telephone	✓
Telescopic mast	✗
Luffing of jib	✗
Luffing of head	✗
Aluminum finished	✓
Anemometer	✓
Safety line	✓

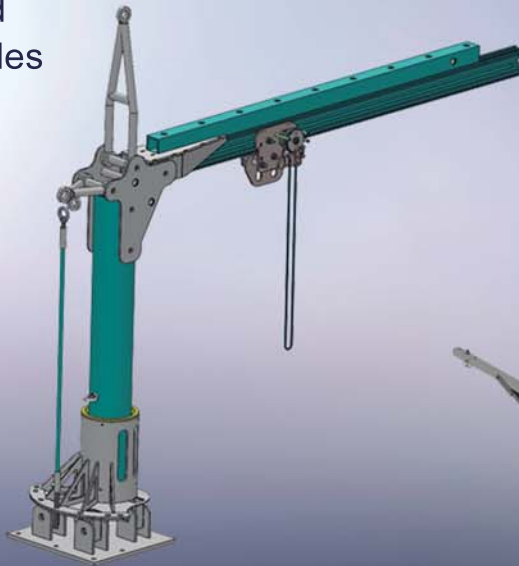
All products are tailor made for each individual client. Please contact us for details.



DAVITS MODEL SCSD

Davits

- Fixed
- Mobiles



SPECIFICATIONS

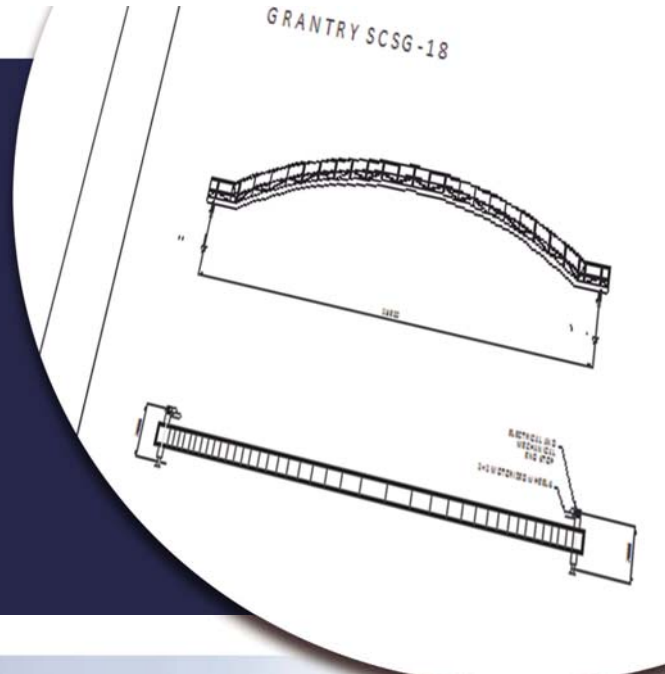
Model	SCSD
Type of jib	To define.
Max. reach	3 m.
Finished	Hot deep G.
Painted	To define.
Security emergencies	Included.
Manual rescue system	--
Micro securities for all movements	Included
Restrain system	--

OPTIONS

	Possible opt.
Cable reeler	✗
Water tanks	✓
Telephone	✓
Telescopic mast	✗
Luffing of jib	✗
Luffing of head	✗
Aluminum finished	✓
Anemometer	✓
Safety line	✓

All products are tailor made for each individual client. Please contact us for details.

GANTRIES SCSG



Gantry
- Fixed
- Mobiles

SPECIFICATIONS

Model	SCSG
Type of jib	--
Max. reach	--
Finished	Alumin./Steel
Painted	To define
Security emergencies	Included.
Manual rescue system	Included.
Micro securities for all movements	Included
Restrain system	--

OPTIONS

	Possible opt.
Cable reeler	✗
Water tanks	✓
Telephone	✓
Telescopic mast	✗
Luffing of jib	✗
Luffing of head	✗
Aluminum finished	✓
Anemometer	✗
Safety line	✓

All products are tailor made for each individual client. Please contact us for details.

QUALITY ASSURANCE

"WHEN A TEAM IS DEEPLY COMMITTED TO WHAT IS DOING, WHEN OUR SOLUTIONS ARE FOCUSED ON THE SATISFACTION OF OUR CUSTOMERS, WHEN WE NEVER TIRE OF SEEKING INNOVATION IN OUR WORK, ... IT'S BECAUSE WE LOVE WHAT WE DO AND THAT'S OUR GREATEST ADVANTAGE "

Our target is provide the best service of technical assistance post-selling (on line, by telephone...).

We can support to you on maintenance and training.

We supply genuine spare parts that your need.

Skyclimber professionally repairs its own and other brand's products.

Operation manual and certificates delivered in the documentation for each machine.

All our machines are manufacture under the EN-1808 regulation.

All our machines comply the European machines regulation 2006/42/CE, its modifications and the CE mark with our conformity certify.

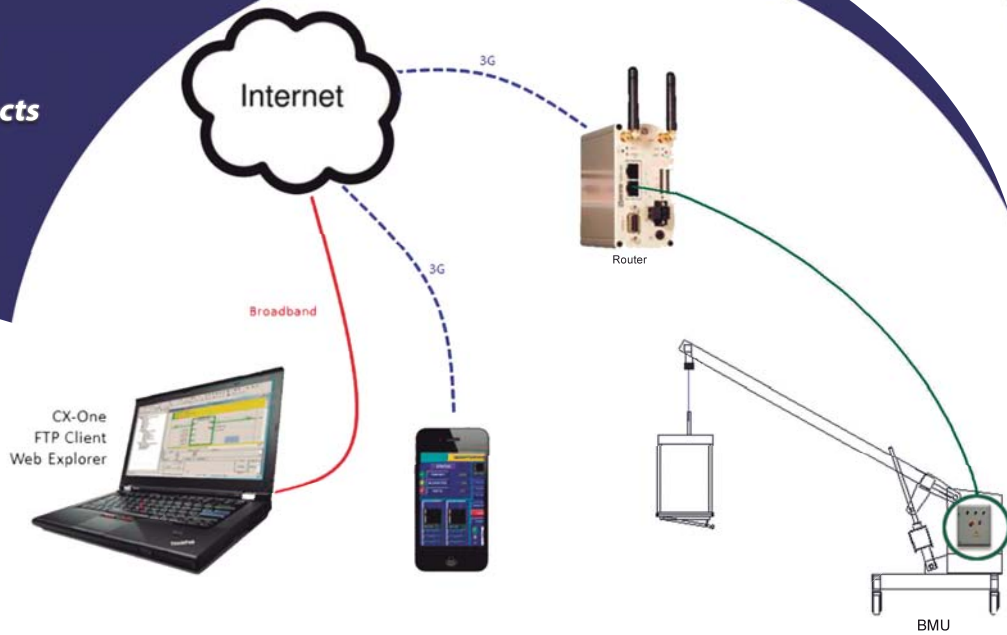


INNOVATION+DESIGN RESEARCH

DESIGN, DEVELOPMENT, ENGINEERING ARE MOST ESSENTIAL VALUES FOR OUR COMPANY

SKY O.R.A. (Online Remote Assistance)

*PLC Data can be examined
remotely by us to detect corrects
or wrong functions
working in the BMU.*



BMU + joystick



Customized special systems



CONSULTING SERVICES

✓ Architecture solutions

✓ Engineering solutions

ENGINEER SERVICES:

Project development.
Fulfilling engineering.
Project management.
Viability studies.



ARCHITECTURAL SERVICES:

Technical architecture.
Technical support.
Design management
Viability studies.



WORLDWIDE OFFICES

SKY CLIMBER IS A GLOBAL COMPANY WITH OFFICES AROUND THE WORLD



c/ Alsasua, 16 2ºD
28023 Madrid, Spain

Ph: +34 911 610 628

Fax: +34 913 729 462

Email: info@skyclimber.es



SKYCLIMBER, LLC

1800 Pittsburgh Drive
Delaware, OH 43015 USA

Ph: 740 203 3900 - Toll Free: 800 255 4629

Fax: 740 203 3901

Email: info@skyclimber.com



N.V. SKY CLIMBER EUROPE, S.A.

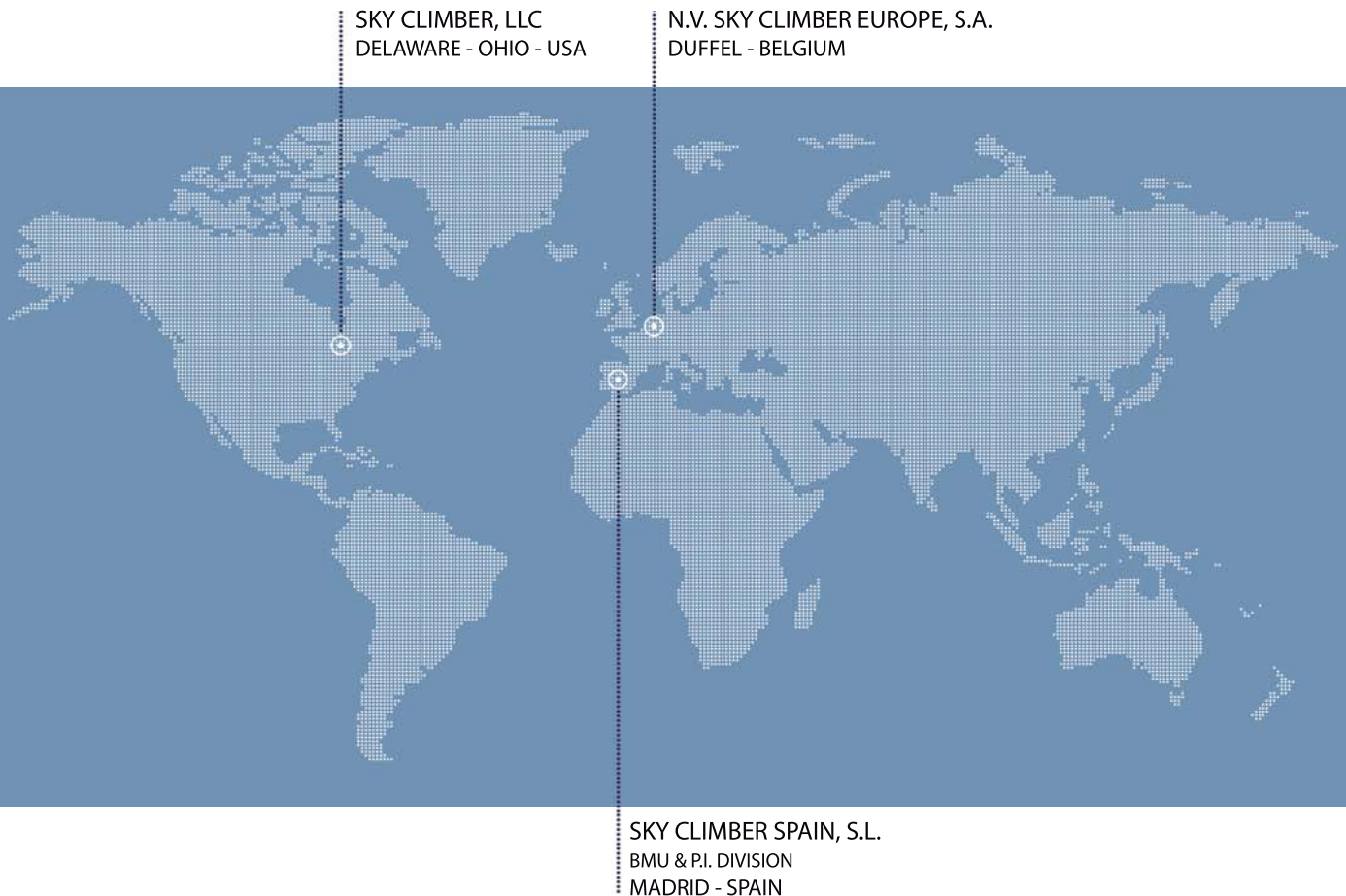
K.M.O. Zone Itterbeek
Nijverheids Straat 23, Duffel B 2570 Belgium

Ph: 32 3 887 81 20

Fax: 32 3 887 09 94

Email: info@skyclimber.be

“The best team of professionals, a vision of the project focused on the satisfaction of our customers and the ability of innovation, adding the support of the Sky Climber group is what makes us different.”



**SKY CLIMBER®
BMU & P.I. DIVISION**

C/ ALSASUA, 16 2ºD
28023 MADRID
SPAIN

TELEPHONE +34 911 610 628
FAX +34 913 729 462
E-MAIL info@skyclimber.es
INTERNET www.skyclimber.es

Dealer:

