

Assembly
Conjuntos

DRA/LC ALCOY

96

ROS
LUMINARIES

STREET LIGHTING SOLUTIONS
www.roslighting.com

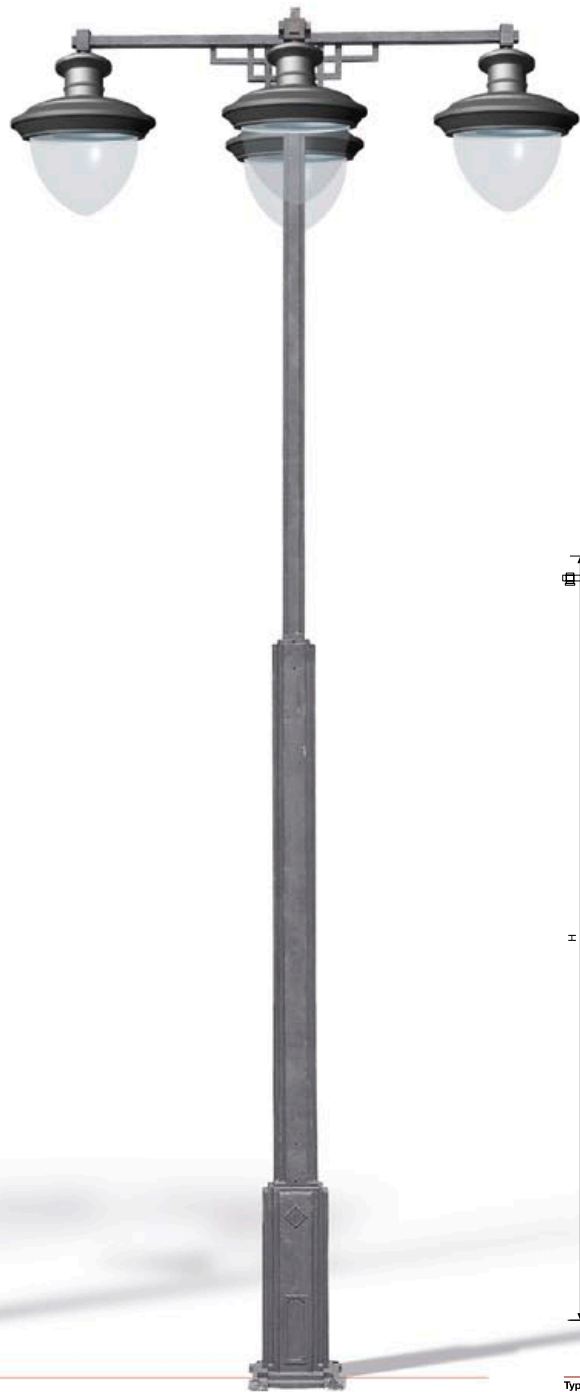


DRA/LC-035_13

DRA/LC-034_13

DRA/LC-033_13

DRA/LC-032



DRA/LC-031

TECHNOLOGIES AVAILABLE:
DISPONIBLE CON TECNOLOGIA:

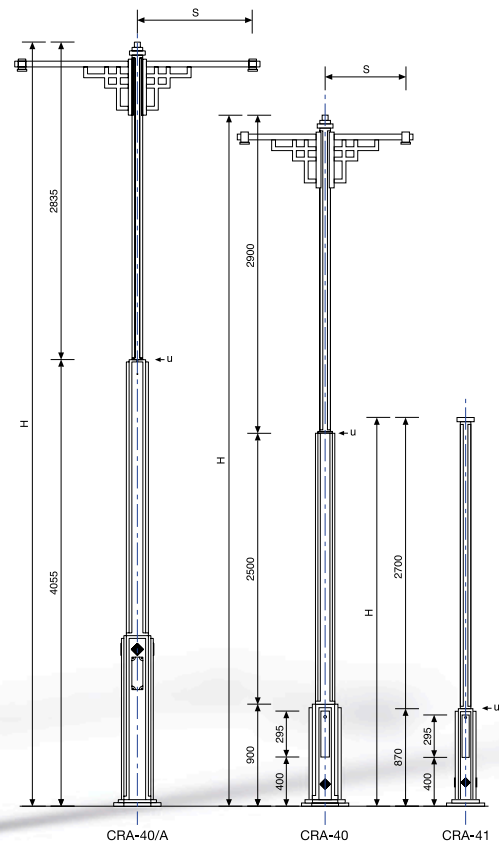
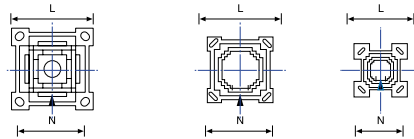
ROS **LEDing** + info pg. 16

ROS **DL DISCHARGE LAMP** + info pg. 14

MULTIPLE COMBINATIONS WITH:
MULTITUD DE COMBINACIONES:



COLUMN DIMENSIONS:
DIMENSIONES COLUMNA:



Types / Tipos	H (m)	S (mm)	POLES	L (mm)	N (mm)	Bolts / Pernos (mm)
CRA-40/A	6,890	1000	Cast Iron	430	360	4 of Ø22x600
CRA-401 -403 -405	6,300	1000	Cast Iron	430	360	4 of Ø22x600
CRA-402 -404 -406	6,300	600	Cast Iron	430	360	4 of Ø22x600
CRA-410	3,570	-	Cast Iron	350	250	4 of Ø16x400
CRA-411	3,570	-	Steel Tube	350	250	4 of Ø16x400

- HISTORICAL CENTERS
CENTROS HISTÓRICOS
- RESIDENTIAL
ZONAS RESIDENCIALES
- URBAN CLASSIC DESIGN
DISEÑO URBANO CLÁSICO
- PARKS
JARDINES
- PEDESTRIAN AREAS
ZONAS PEATONALES

Available several combinations of Columns, Brackets and Luminaires with different heights.

Disponemos de múltiples combinaciones de Columnas, Brazos, Luminarias, y diferentes alturas.

