



THE SERVO-SYSTEM FROM THE SEVEN-CENTIMETRE CLASS
GEZE SLIMDRIVE SD-SERVO SWING DOOR DRIVE

GEZE SLIMDRIVE SD-SERVO

The servo-system from the seven-centimetre class

It is just 7 cm high, and it makes life between the rooms so much easier: the GEZE Slimdrive SD Servo can do it all. The door ‘thinks’ with you, reacting to movement or contact, opening and closing at an appropriate speed – with complete ease, and with all the safety required. The Slimdrive SD Servo brings ease and simplicity in all places where people move about:

- Shops and department stores
- Airports and stations
- Schools and other public buildings
- Hotels and restaurants
- Hospitals, old people’s homes, homes and workshops for the handicapped

And if there is an emergency, then the Slimdrive SD Servo shows just how reliable it really is – for fire and smoke doors*, too. Slimdrive SD Servo stands for greatest ease. Just like the servo drive in a car, this aid to movement has made opening a door as easy as picking up a piece of paper.

So, if opening even the heaviest doors is child’s play, it is got nothing to do with physical strength – it is all due to the Slimdrive SD Servo: it alone supplies all the power to stretch the springs and carry the weight of the whole door. Slimdrive SD Servo has this power constantly in reserve, but never wastes energy for a second. The drive only switches in when needed. If a movement sensor, placed closed to the door, registers a movement, or if a control contact signals that someone is touching the handle, the motor switches in, to power the hydraulic servo system. And this servo support stays running while the door closes.

For double-leaf doors (leaf width up to 2800 mm) GEZE offer the swing door drive system Slimdrive SD-IS Servo with integrated closer control. There is no need for an external mechanical closer control, which gives the Slimdrive SD-IS Servo a perfekt optical appearance.

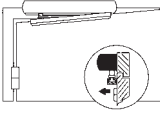
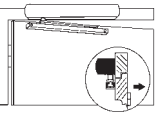
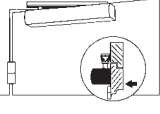
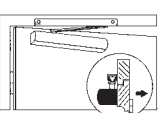


* with escape and rescue routes up to 160 kg leaf weight

Technical features

	Slimdrive SD Servo Servo drive for swing doors
Closing force	EN size 2-6, infinitely adjustable
Closing force with door beeing closed	18-54 Nm
Latching action	adjustable from 10° to 0°
Closing speed	adjustable from 75° to 0°
Closing deceleration	within the entire opening range adjustable between 60° and 140°
Opening angle (servo opening support)	max. opening angle depends on door construction
Mains supply	230 V AC 50 / 60 Hz
Power consumption	250 VA with 230 V AC
Supply terminals	ready to plug in (transom mounting) and supply terminals (door leaf mounting)
Power failure	normal door closer function hydraulically controlled
Integrated programme switch	position 1 = ON, position 0 = OFF
Motor follow-up time	adjustable from 3 sec. to 25 sec.
Actuation delay	adjustable from 0 sec. to 2 sec.
Power supply for external applications	24 V DC, 400 mA additional power pack to build into add-on module: 24 V DC, 1,5 A
Dimensions (length x height x depth)	650 x 78 x 97 mm
Max. leaf width	1400 mm
Max. leaf weight	160 kg
Weight of the drive	approx. 8 kg

Whether head or door leaf, whether doors DIN right or DIN left, whether hinge or opposite hinge side – Slimdrive SD Servo always stays the same and remains flexible for each type of use. It is always mounted with a guide rail. And if you have trusted in an overhead door closer up to now, the Slimdrive SD Servo is quickly installed. Basically it allows the following ways of mounting:

	Transom mounting - hinge side	
	Leaf width without mounted module Leaf width incl. mounted module Max. opening angle	675 – 1400 mm 780 – 1400 mm up to 180°
	Transom mounting - opposite hinge side	
	Leaf width without mounted module Leaf width incl. mounted module Max. opening angle	715 – 1400 mm 820 – 1400 mm up to 115°
	Door leaf mounting - hinge side	
	Leaf width without mounted module Leaf width incl. mounted module Max. opening angle	715 – 1400 mm 820 – 1400 mm up to 160°
	Door leaf mounting - opposite hinge side	
	Leaf width without mounted module Clear passage height incl. mounted module Max. leaf width Max. opening angle	min. 715 mm min. 820 mm 1400 mm up to 140°

Functions and adjustments

Perfection of design as well. And because it can be supplied in a variety of colours, it will fit in very well with everything in the building. Slimdrive SD Servo comes in silver, dark bronze, white, RAL 9010 and RAL 9060, and in all other RAL colours by request.

Slimdrive SD Servo not only looks good, it is also informative. Thus on the control and closing mechanisms you will find clear symbols for adjusting all functions.

Slimdrive SD Servo is flexible enough for all uses: it will do its job in all dry rooms from - 15° C to + 50° C with absolute precision.

It is also suitable for fire and smoke doors*.

* Please enquire about the current status of the test and approval procedure.



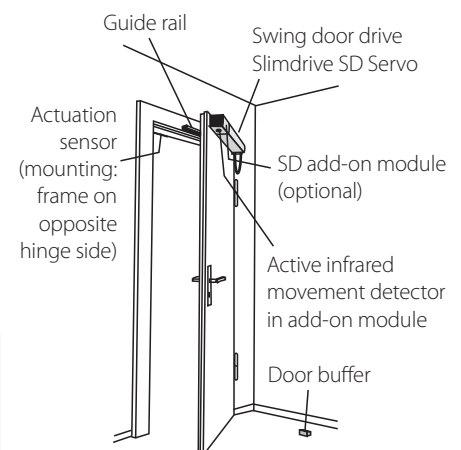
Connection possibilities

Slimdrive SD Servo can be connected and can be triggered with all common elements:

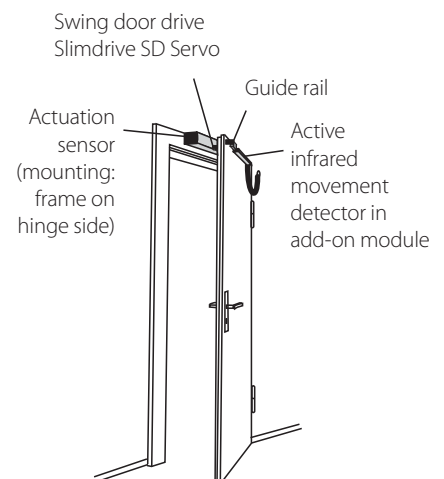
- Infrared movement detector (for concealed installation within the cover)
- HEWI door handle with electric contact
- Door opener: 24 V DC open-circuit current or close-circuit current as an option 24 V DC, AC supplied by customer
- Lock switch contact: must be installed in strikeplate, if the door is closed manually
- External programme switch with 3 positions

Example for an actuation combination

Door leaf mounting on hinge side



Transom mounting on hinge side



GEZE GmbH
P.O. Box 1363
71226 Leonberg
Germany

GEZE Service GmbH NL Südwest
 Reinhold-Vöster-Straße 25
 71229 Leonberg
 Tel. +49 (0) 7152-92 33 34

GEZE GmbH
Reinhold-Vöster-Straße 21-29
71229 Leonberg
Germany
Telefon +49 (0) 7152-203-0
Telefax +49 (0) 7152-203-310

GEZE Service GmbH NL Nord-Ost
 Bühringstraße 8
 13086 Berlin (Weissensee)
 Tel. +49 (0) 30-47 02 17 32

www.geze.com

GEZE Service GmbH NL West
 Nordsternstraße 65
 45329 Essen
 Tel. +49 (0) 201-8 30 82 16

Germany
 GEZE Sonderkonstruktionen GmbH
 Planken 1
 97944 Boxberg-Schweigern
 Tel. +49 (0) 7930-9294-0
 Fax +49 (0) 7930-9294-10
 E-Mail: sk.de@geze.com

GEZE Service GmbH NL Mitte
 Adenauerallee 2
 61440 Oberursel
 Tel. +49 (0) 6171-63 61 03

GEZE GmbH
 Niederlassung Nord/Ost
 Bühringstraße 8
 13086 Berlin (Weissensee)
 Tel. +49 (0) 30-47 89 90-0
 Fax +49 (0) 30-47 89 90-17
 E-Mail: berlin.de@geze.com

GEZE Service GmbH NL Süd
 Keltnering 10
 85658 Eggening
 Tel. +49 (0) 8095-87 13 61

Austria
 GEZE Austria GmbH
 Mayrwiesstraße 12
 5300 Hallwang b. Salzburg
 Tel. +43-(0)662-663142
 Fax +43-(0)662-663142-15
 E-Mail: austria.at@geze.com

GEZE GmbH
 Niederlassung West
 Nordsternstraße 65
 45329 Essen
 Tel. +49 (0) 201-83082-0
 Fax +49 (0) 201-83082-20
 E-Mail: essen.de@geze.com

Baltic States
 GEZE GmbH Baltic States office
 Dzelzavas iela 120 S
 1021 Riga
 Tel. +371 (0) 67 89 60 35
 Fax +371 (0) 67 89 60 36
 E-Mail: office-latvia@geze.com

GEZE GmbH
 Niederlassung Mitte
 Adenauerallee 2
 61440 Oberursel (b. Frankfurt)
 Tel. +49 (0) 6171-63610-0
 Fax +49 (0) 6171-63610-1
 E-Mail: frankfurt.de@geze.com

Benelux
 GEZE Benelux B.V.
 Leemkuil 1
 Industrieterrein Kapelbeemd
 5626 EA Eindhoven
 Tel. +31-(0)40-26290-80
 Fax +31-(0)40-26 290-85
 E-Mail: benelux.nl@geze.com

GEZE GmbH
 Niederlassung Süd
 Reinhold-Vöster-Straße 21-29
 71229 Leonberg
 Tel. +49 (0) 7152-203-594
 Fax +49 (0) 7152-203-438
 E-Mail: leonberg.de@geze.com

Bulgaria
 GEZE Bulgaria - Trade
 Representative Office
 61 Pirinski Prohod, entrance „B“,
 4th floor, office 5,
 1680 Sofia
 Tel. +359 (0) 24 70 43 73
 Fax +359 (0) 24 70 62 62
 E-Mail: office-bulgaria@geze.com

China
 GEZE Industries (Tianjin) Co., Ltd.
 Shuangchenzhong Road
 Beichen Economic Development
 Area (BEDA)
 Tianjin 300400, P.R. China
 Tel. +86(0)22-26973995-0
 Fax +86(0)22-26972702
 E-Mail: Sales-info@geze.com.cn

GEZE Industries (Tianjin) Co., Ltd.
 Branch Office Shanghai
 Unit 25N, Cross Region Plaza
 No 899, Ling Ling Road,
 XuHui District
 200030 Shanghai, P.R. China
 Tel. +86 (0)21-523 40 960
 Fax +86 (0)21-644 72 007
 E-Mail: chinasales@geze.com.cn

GEZE Industries (Tianjin) Co., Ltd.
 Branch Office Guangzhou
 Room 17C3
 Everbright Bank Building, No.689
 Tian He Bei Road
 510630 Guangzhou
 P.R. China
 Tel. +86(0)20-38731842
 Fax +86(0)20-38731834
 E-Mail: chinasales@geze.com.cn

GEZE Industries (Tianjin) Co., Ltd.
 Branch Office Beijing
 Rm3A02, Building 3
 ZhuBang 2000 Business Plaza
 No.98, Balizhuang xili
 Chaoyang District
 100025 Beijing, P.R.China
 Tel. +86 (0)10-8797 5177 -/78
 Fax +86 (0)10-8797 5171
 E-Mail: chinasales@geze.com.cn

France
 GEZE France S.A.R.L.
 ZAC de l'Orme Rond
 RN 19
 77170 Servon
 Tel. +33-(0)1-606260-70
 Fax +33-(0)1-606260-71
 E-Mail: france.fr@geze.com

Hungary
 GEZE Hungary Kft.
 Bartók Béla út 105-113.
 Budapest
 H-1115
 Tel. +36 (1) 481 4670
 Fax +36 (1) 481 4671
 E-Mail: office-hungary@geze.com

Iberia
 GEZE Iberia S.R.L.
 Pol. Ind. El Pla
 C/Comerc, 2-22, Nave 12
 08980 Sant Feliu de Llobregat
 (Barcelona)
 Tel. +34(0)9-02194036
 Fax +34(0)9-02194035
 E-Mail: info@geze.es

India
 GEZE India Private Ltd.
 MF 2 & 3, Guindy Industrial Estate
 Ekkattuthangal
 Chennai 600 097
 Tamilnadu
 Tel. +91 44 3061 6900
 Fax +91 44 3061 6901
 E-Mail: office-india@geze.com

Italy
 GEZE Italia Srl
 Via Giotto, 4
 20040 Cambiago (MI)
 Tel. +3902950695-11
 Fax +3902950695-33
 E-Mail: italia.it@geze.com

GEZE Engineering Roma Srl
 Via Lucrezia Romana, 91
 00178 Roma
 Tel. +3906-7265311
 Fax +3906-72653136
 E-Mail: roma@geze.biz

Poland
 GEZE Polska Sp.z o.o.
 ul. Annapol 21
 03-236 Warszawa
 Tel. +48 (0)22 440 4 440
 Fax +48 (0)22 440 4 400
 E-Mail: geze.pl@geze.com

Romania
 GEZE GmbH Rezentantanta Romania
 Str. Ionescu Baican nr. 22
 RO-021835 Bucuresti, sector 2
 Tel. +40 (0) 21 25 07 750
 Fax +40 (0) 21 25 07 750
 E-Mail: office-romania@geze.com

Russian Federation
 GEZE GmbH Representative
 Office Russia
 Kolodesnij pereulok3, str. 25
 Office Nr. 5201-5203
 107076 Moskau
 Tel. +7 (0) 49 55 89 90 52
 Fax +7 (0) 49 55 89 90 51
 E-Mail: office-russia@geze.com

Scandinavia – Sweden
 GEZE Scandinavia AB
 Mallslingan 10
 Box 7060
 18711 Täby, Sweden
 Tel. +46(0)8-7323-400
 Fax +46(0)8-7323-499
 E-Mail: sverige.se@geze.com

Scandinavia – Norway
 GEZE Scandinavia AB avd. Norge
 Industriveien 34 B
 2073 Dal
 Tel. +47(0)639-57200
 Fax +47(0)639-57173
 E-Mail: norge.se@geze.com

Scandinavia – Finland
 Branch office of GEZE Scandinavia AB
 Herralantie 824
 Postbox 20
 15871 Hollola
 Tel. +358(0)10-4005100
 Fax +358(0)10-4005120
 E-Mail: finland.se@geze.com

Scandinavia – Denmark
 GEZE Danmark
 Branch office of GEZE Scandinavia AB
 Høje Taastrup Boulevard 53
 2630 Taastrup
 Tel. +45(0)46-323324
 Fax +45(0)46-323326
 E-Mail: danmark.se@geze.com

South Africa
 DCLSA Distributors (Pty.) Ltd.
 118 Richards Drive, Halfway House,
 Ext 111
 P.O. Box 7934, Midrand 1685
 Tel. +27(0)113158286
 Fax +27(0)113158261
 E-Mail: info@dclsa.co.za

Switzerland
 GEZE Schweiz AG
 Bodenackerstrasse 79
 4657 Dulliken
 Tel. +41-(0)62-2855400
 Fax +41-(0)62-2855401
 E-Mail: schweiz.ch@geze.com

Turkey
 GEZE GmbH Türkiye - İstanbul
 İrtibat Bürosu
 Ataşehir Bulvarı, Ata 2/3
 Plaza Kat: 9 D: 84 Ataşehir
 Kadıköy / İstanbul
 Tel. + 90 (0) 21 64 55 43 15
 Fax + 90 (0) 21 64 55 82 15
 E-Mail: office-turkey@geze.com

Ukraine
 Repräsentanz GEZE GmbH Ukraine
 ul. Vikentiy Hvoyki, 21,
 office 151
 04080 Kiev
 Tel. +38 (0) 44 49 97 725
 Fax +38 (0) 44 49 97 725
 E-Mail: office-ukraine@geze.com

United Arab Emirates/GCC
 GEZE Middle East
 P.O. Box 17903
 Jebel Ali Free Zone
 Dubai
 Tel. +971(0)4-8833112
 Fax +971(0)4-8833240
 E-Mail: geze@emirates.net.ae

United Kingdom
 GEZE UK Ltd.
 Blenheim Way
 Fradley Park
 Lichfield
 Staffordshire WS13 8SY
 Tel. +44(0)1543443000
 Fax +44(0)1543443001
 E-Mail: info.uk@geze.com

GEZE REPRESENTATIVE