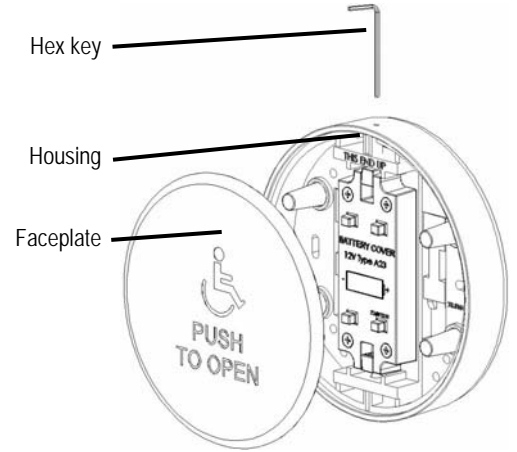


1 Range & description

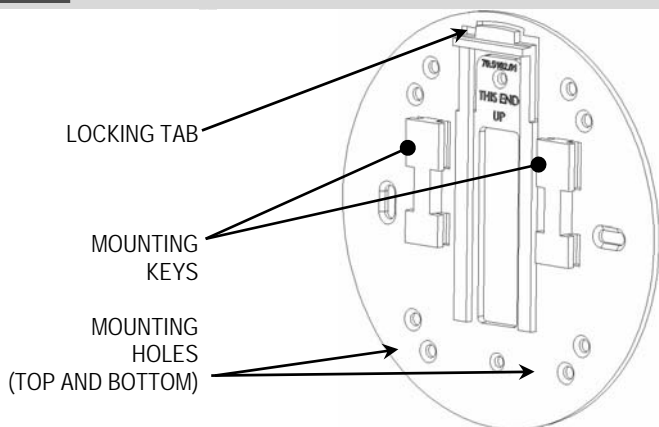


2 Technical Specifications

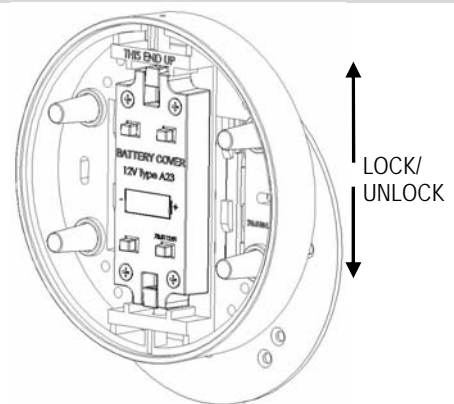
Dimensions:	SLR6 160.8mm (R) x 36.87mm (D) SLR4 130mm (R) x 36.1mm (D) SLS4 130mm (H) x 130mm (W) x 36.1mm (D)
Weight:	SLR6 0.54 kg SLR4 0.52 kg SLS4 0.47 kg
Material:	ABS Plastic and Stainless Steel
Transmitter Frequency:	433 MHz

3 Installation

1 Mounting the housing

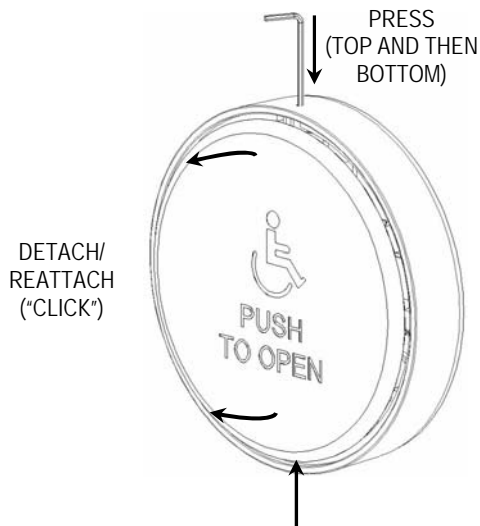


To install the mounting plate, screw a minimum of two countersunk head screws (#8) into a solid surface through the holes in the mounting plate. The mounting plate must be mounted so that the text side is facing up.

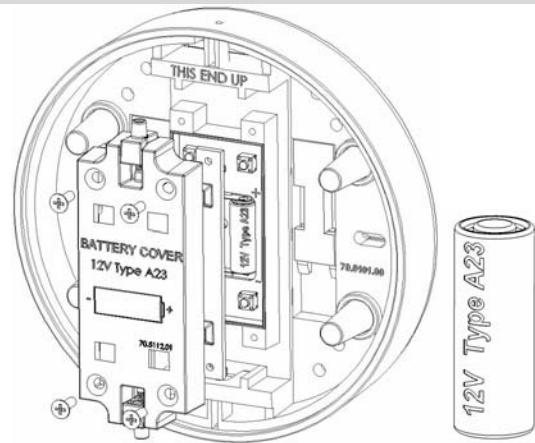


To attach the housing to the mounting plate, place the housing over the mounting keys on the mounting plate, and then slide the housing downward until the locking tab engages the housing. To remove the housing, press in the locking tab and reverse this procedure. To securely lock the plate, put an additional screw through both the housing and the mounting plate.

2 Mounting the face plate



To assemble or disassemble the push plate, use the enclosed hex key (or similar diameter tool) to press in and release the spring clips from the faceplate bracket. The spring clip will need to be engaged / disengaged from top and bottom, one at a time. When the spring clips are correctly engaged, they will make a "click". It may be necessary to rotate the faceplate slightly to have them lock correctly.



BATTERY LOCATION
(OBSERVE PROPER POLARITY)

To replace the battery, remove the faceplate and the 4 screws holding the battery cover to expose the transmitter assembly. Replace the battery with a fresh 12V, type A23 battery and reassemble the push plate.

Warning: Do not over tighten the screws on the battery cover. This MAY cause the transmitter to be in constant activation. The head of the screws should be flush with the top of the plastic cover.

3 Receiver setup

1. On the EAS RF receiver, press the record button once (the yellow LED will illuminate).
2. Within 20 seconds, press the faceplate of the assembled push plate once (the yellow LED on the receiver will go out).
3. Press the faceplate again (the yellow LED will flash for 2 seconds).
4. Press the faceplate again to verify receiver detection (the yellow LED will flash and the red LED will illuminate for the length of time set by the dip switch).

Note: To clear the memory of the receiver, press and hold the record button for 10 seconds.

Consult the EAS RF user's guide for further instructions.